

# CLAMPS & SUPPORTS

## Utility Clamps

### Closed Yoke Extension Clamps, Three-Prong

- Large grip adjustment range
- Single or dual adjust
- Available in three sizes; small, medium, and large
- Nickel-plated zinc

Closed Yoke Extension Clamps feature an innovative construction that minimizes contamination and corrosion of internal components. The unique design enables secure gripping and positioning with added strength and durability.

Available in both single and dual prong adjustment, prongs open gradually to maximize grip size without binding. Both designs feature precise pressure regulation when gripping glassware surfaces to reduce the chance of breakage. Clamps are constructed with extension rods for easy attachment to lab-frames and other apparatus. Supplied with non-slip vinyl sleeves, and for temperatures above 100°C, fiberglass covers.

The prong height of the Closed Yoke Extension Clamps make them ideal for use in holding and securing glassware with precision ground glass joints. The chart details which Closed Yoke Extension Clamps are recommended.

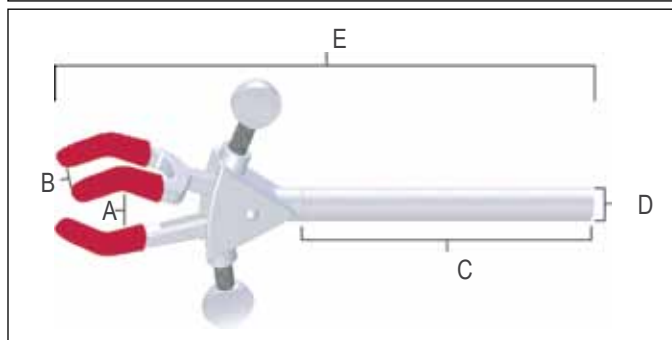
**NOTE:** An additional holder must be purchased in order to attach clamps to frames or other apparatus.

See the Connectors & Holders section of this catalog, pages 14-16.

Replacement vinyl and fiberglass sleeves are available, page 13.

#### GROUND GLASS JOINT REFERENCE CHART

Clamp	Joint Size (mm)
Small Dual Adjust	10/30, 12/30, 14/20, 19/22, 24/40, 29/42, 34/45
Medium Dual Adjust	14/40, 19/38
Large Dual Adjust	45/50



### Single Adjust Clamps



08021-02



### Dual Adjust Clamps



08021-16



08021-14

08021-12

### 3-Prong Single Adjust Clamps

Size	(A) Min. to Max. Grip Size	(B) Prong Width	(C) Arm Length	(D) Arm Dia.	(E) Overall Length	Part Number
Small	0 to 23mm (0 to 0.91")	6mm (0.24")	102mm (4")	8mm (0.32")	162mm (6.38")	08021-04
Medium	0 to 50mm (0 to 1.97")	19mm (0.75")	127mm (5")	11mm (0.43")	229mm (9.02")	08021-02
Large	0 to 72mm (0 to 2.83")	29mm (1.14")	127mm (5")	11mm (0.43")	260mm (10.24")	08021-00

### 3-Prong Dual Adjust Clamps

Size	(A) Min. to Max. Grip Size	(B) Prong Width	(C) Arm Length	(D) Arm Dia.	(E) Overall Length	Part Number
Small	0 to 32mm (0 to 1.26")	6mm (0.24")	102mm (4")	8mm (0.32")	152mm (5.98")	08021-12
Medium	0 to 70mm (0 to 2.76")	19mm (0.75")	127mm (5")	11mm (0.43")	222mm (8.74")	08021-14
Large	0 to 103mm (0 to 4.06")	29mm (1.14")	127mm (5")	11mm (0.43")	260mm (10.24")	08021-16

## Utility Clamps

### Heavy-Duty Tapered Clamps

Heavy-Duty 4-prong, dual adjust tapered clamps are designed to hold large vessels with ground glass joint necks. Nickel-plated zinc construction; clamps include vinyl prong sleeves..

**NOTE:** An additional holder must be purchased in order to attach clamps to frames or other apparatus.

See the Connectors & Holders section of this catalog, pages 14-16.



Size	Joint Size	Prong Width	Arm Length	Arm Dia.	Overall Length	Part Number
Small	24/40mm	16mm (0.63")	229mm (9.02")	13mm (0.51")	356mm (14")	08047-60
Large	34/45mm	19mm (0.75")	229mm (9.02")	13mm (0.51")	381mm (15")	08047-65

### Extension Clamps, Three-Prong

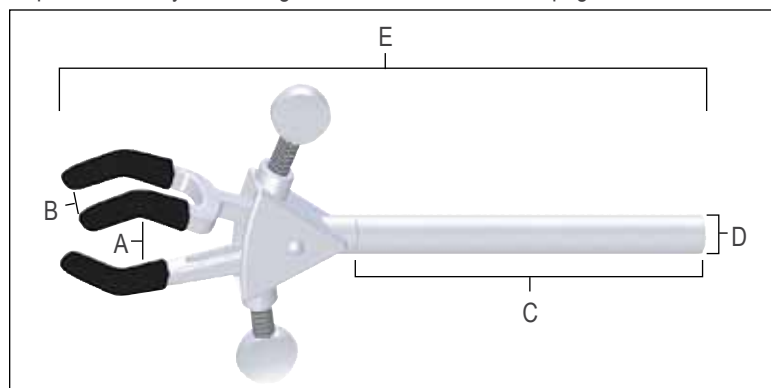
- **Stainless steel, electro-polished finish**
- **Large dual adjustment range**
- **Available in three sizes; small, medium, and large**

These durable, multi-purpose clamps are made entirely of stainless steel with an electro-polished finish and offer excellent chemical resistance and overall strength. The versatile 3-prong design secures various lab apparatus such as jointed glassware, columns, flasks, and tubes. Dual prong adjustments offer a wide range of motion. Long stainless steel extension arm offers easy positioning and depth adjustment. Autoclavable. Supplied with non-slip vinyl sleeves, and for temperatures above 100°C, fiberglass covers.

**NOTE:** An additional holder must be purchased in order to attach clamps to frames or other apparatus.

See the Connectors & Holders section of this catalog, pages 14-16.

Replacement vinyl and fiberglass sleeves are available, page 13.



#### Tech Tip

Stainless Steel clamps offer higher resistance to corrosion and greater durability than standard nickel-plated clamps

### 3-Prong Stainless Steel Dual Adjust Clamps

Size	(A) Min. to Max. Grip Size	(B) Prong Width	(C) Arm Length	(D) Arm Dia.	(E) Overall Length	Part Number
Small	0 to 48mm (0 to 1.9")	13mm (0.51")	102mm (4")	10mm (0.39")	172mm (6.77")	08021-52
Medium	0 to 69mm (0 to 2.72")	19mm (0.75")	127mm (5")	13mm (0.51")	229mm (9.02")	08021-54
Large	0 to 102mm (0 to 4")	29mm (1.14")	127mm (5")	13mm (0.51")	273mm (10.75")	08021-56

# CLAMPS & SUPPORTS

## Utility Clamps

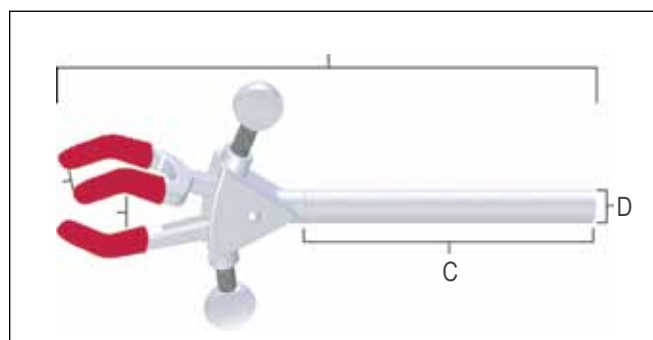
### Extension Clamps, Three-Prong

- Large grip adjustment range
- 3-prong construction
- Single or dual adjust
- Nickel-plated zinc

Designed to securely hold every type of laboratory glassware and apparatus. Long, seamless nickel plated brass tubing attaches clamp head securely and offers easy positioning in the deepest fume hoods. Clamps are constructed with round extension arms, which allow the clamps to be rotated 360°. Extension arms also allow placement of apparatus at various distances from lab-frames without compromising the integrity of your experiment. Supplied with non-slip vinyl sleeves, and for temperatures above 100°C, fiberglass covers.

**NOTE:** An additional holder must be purchased in order to attach clamps to frames or other apparatus.

See the Connectors & Holders section of this catalog, pages 14-16. Replacement vinyl and fiberglass sleeves are available, page 13.



### 3-Prong Single Adjust Clamps



08021-22

08021-24

08021-26

### 3-Prong Dual Adjust Clamps



08021-32

08021-34

08021-36

### 3-Prong Single Adjust Clamps

Size	(A) Min. to Max. Grip Size	(B) Prong Width	(C) Arm Length	(D) Arm Dia.	(E) Overall Length	Part Number
Small	0 to 39mm (0 to 1.54")	11mm (0.43")	102mm (4")	8mm (0.32")	160mm (6.3")	08021-22
Medium	0 to 71mm (0 to 2.8")	19mm (0.75")	127mm (5")	11mm (0.43")	218mm (8.58")	08021-24
Large	0 to 108mm (0 to 4.25")	29mm (1.14")	127mm (5")	11mm (0.43")	248mm (9.76")	08021-26

### 3-Prong Dual Adjust Clamps

Size	(A) Min. to Max. Grip Size	(B) Prong Width	(C) Arm Length	(D) Arm Dia.	(E) Overall Length	Part Number
Small	0 to 46mm (0 to 1.81")	11mm (0.43")	102mm (4")	8mm (0.32")	168mm (6.61")	08021-32
Medium	0 to 69mm (0 to 2.72")	19mm (0.75")	127mm (5")	11mm (0.43")	229mm (9.02")	08021-34
Medium (extended)	0 to 69mm (0 to 2.72")	19mm (0.75")	305mm (12")	11mm (0.43")	406mm (16")	08021-35
Large	0 to 105mm (0 to 4.13")	29mm (1.14")	127mm (5")	11mm (0.43")	273mm (10.75")	08021-36
Large (extended)	0 to 105mm (0 to 4.13")	29mm (1.14")	305mm (12")	11mm (0.43")	451mm (17.76")	08021-37

## Utility Clamps

### Extension Clamps, Two-Prong

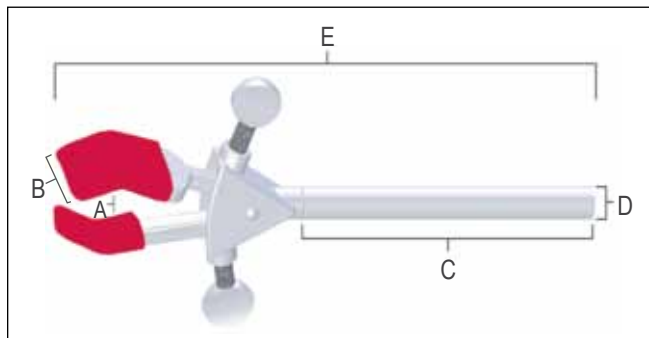
- Stainless steel electro-polished finish or nickel-plated zinc
- Large grip adjustment range
- 2-prong construction
- Single or dual adjust

Designed to securely hold laboratory glassware and apparatus. Extension arm attaches clamp head securely and offers easy positioning in the deepest fume hoods. Clamps are constructed with round extension arms, which allow the clamps to be rotated 360°. Extension arms also allow placement of apparatus at various distances from lab-frames without compromising the integrity of your experiment. Stainless steel clamps are electro-polished and made entirely of stainless steel. They offer exceptional chemical resistance and are autoclavable. Nickel-plated zinc offers a clamp with a high tensile strength at an economical price. Supplied with non-slip vinyl sleeves, and for temperatures above 100°C, fiberglass covers.

**NOTE:** An additional holder must be purchased in order to attach clamps to frames or other apparatus.

See the Connectors & Holders section of this catalog, pages 14-16.

Replacement vinyl and fiberglass sleeves are available, page 13.



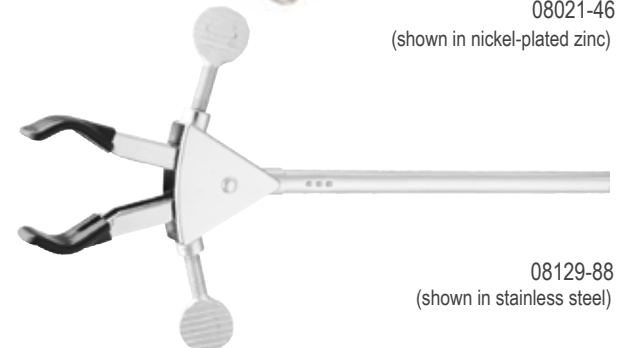
### 2-Prong Single Adjust Clamps



### 2-Prong Dual Adjust Clamps



08021-46  
(shown in nickel-plated zinc)



08129-88  
(shown in stainless steel)

### 2-Prong Single Adjust Clamps

Material	Size	(A) Min. to Max. Grip Size	(B) Prong Width	(C) Arm Length	(D) Arm Dia.	(E) Overall Length	Part Number
Nickel-plated zinc	Medium	0 to 78mm (0 to 3.07")	23mm (0.91")	127mm (5")	11mm (0.43")	216mm (8.5")	08021-42
Nickel-plated zinc	Large	0 to 92mm (0 to 3.62")	23mm (0.91")	127mm (5")	11mm (0.43")	229mm (9.02")	08021-44

### 2-Prong Dual Adjust Clamps

Material	Size	(A) Min. to Max. Grip Size	(B) Prong Width	(C) Arm Length	(D) Arm Dia.	(E) Overall Length	Part Number
Stainless steel	Medium	0 to 75mm (0 to 2.95")	23mm (0.91")	127mm (5")	11mm (0.43")	229mm (9.02")	08129-71
Nickel-plated zinc	Medium	0 to 75mm (0 to 2.95")	23mm (0.91")	127mm (5")	11mm (0.43")	229mm (9.02")	08021-46
Stainless steel	Large	0 to 95mm (0 to 3.74")	23mm (0.91")	127mm (5")	11mm (0.43")	248mm (9.76")	08129-88
Nickel-plated zinc	Large	0 to 95mm (0 to 3.74")	23mm (0.91")	127mm (5")	11mm (0.43")	248mm (9.76")	08021-48

# CLAMPS & SUPPORTS

## Utility Clamps

### Swivel Clamps

Used to hold apparatus near the lab-frame. Unlike extension clamps, the swivel clamps have an integral holder for attaching to a lab-frame or other apparatus. Built-in holder grips rods up to 19mm (0.75") in diameter and is adjustable for forward or reverse-facing adjustment screws. Shaft wing-nut allows the holding angle of the swivel clamp to adjust through 360° of rotation and can be locked in place once desired position is achieved. Stainless steel electro-polished finish or nickel-plated construction. Supplied with non-slip vinyl sleeves, and for temperatures above 100°C, fiberglass covers.

**NOTE:** Replacement vinyl and fiberglass sleeves are available, page 13.



08129-91  
(shown in stainless steel)

08047-04  
(shown in nickel-plated zinc)

Material	Description	Size	Min. to Max. Grip Size	Prong Width	Overall Length	Part Number
Stainless steel	2-Prong Single Adjust	Medium	0 to 76mm (0 to 3")	23mm (0.91")	163mm (6.42")	08129-92
Nickel-plated zinc	2-Prong Single Adjust	Medium	0 to 76mm (0 to 3")	23mm (0.91")	163mm (6.42")	08047-02
Nickel-plated zinc	2-Prong Single Adjust	Large	0 to 95mm (0 to 3.74")	23mm (0.91")	180mm (7.09")	08047-04
Stainless steel	3-Prong Dual Adjust	Medium	0 to 69mm (0 to 2.72")	20mm (0.79")	178mm (7.01")	08129-91
Nickel-plated zinc	3-Prong Dual Adjust	Medium	0 to 69mm (0 to 2.72")	20mm (0.79")	178mm (7.01")	08047-06

### Fixed-Position Clamps

Used to hold apparatus near the lab-frame where no adjustment is required after set-up. Built-in holder grips rods up to 19mm (0.75") in diameter. Fixed-position clamps have an integral holder but can be rotated after attachment to a lab-frame or other apparatus. Available in 2-prong or 3-prong. Stainless steel electro-polished finish or nickel-plated zinc construction. Supplied with non-slip vinyl sleeves, and for temperatures above 100°C, fiberglass covers.

**NOTE:** Replacement vinyl and fiberglass sleeves are available, page 13.



(shown in stainless steel)

08022-00  
(shown in nickel-plated zinc)

Material	Description	Size	Min. to Max. Grip Size	Prong Width	Overall Length	Part Number
Stainless steel	2-Prong Single Adjust	Medium	0 to 77mm (0 to 3.03")	23mm (0.91")	133mm (5.24")	08129-96
Nickel-plated zinc	2-Prong Single Adjust	Medium	0 to 77mm (0 to 3.03")	23mm (0.91")	133mm (5.24")	08022-00
Stainless steel	3-Prong Dual Adjust	Medium	0 to 69mm (0 to 2.72")	20mm (0.79")	146mm (5.75")	08129-95
Nickel-plated zinc	3-Prong Dual Adjust	Medium	0 to 69mm (0 to 2.72")	20mm (0.79")	146mm (5.75")	08022-02

### Double Jaw Utility Clamp

**NOTE**

Description	Min. to Max. Grip Size	Prong Width	Overall Length	Part Number
Medium 2-Prong	0 to 76mm (0 to 3")	23mm (0.91")	222mm (8.74")	08027-12
Large 2-Prong	0 to 95mm (0 to 3.74")			



08027-12