

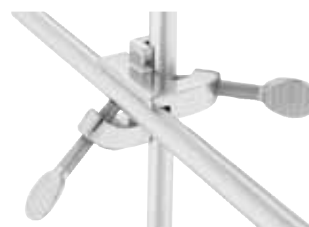
CLAMPS & SUPPORTS

Connectors & Holders

Regular Holder

Stainless Steel electro-polished finish or nickel-plated zinc construction. Ideal for holding clamps to lab-frames. Use wherever clamping at 90° is required.

Material	Min. to Max. Grip Size	Part Number
Stainless steel	0 to 18mm (0 to 0.71")	08129-84
Nickel-plated zinc	0 to 18mm (0 to 0.71")	08041-20



08129-84
(shown in stainless steel)



08041-20
(shown in nickel-plated zinc)

Jumbo Holder

Stainless steel electro-polished finish or aluminum construction. Ideal for holding clamps to lab-frames or ring stands.

Material	Min. to Max. Grip Size	Part Number
Stainless steel	0 to 21mm (0 to 0.83")	08021-62
Aluminum	0 to 21mm (0 to 0.83")	08041-22



08021-62
(shown in stainless steel)



08041-22
(shown in aluminum)

Heavy-Duty Holder

For mounting stirrers and other apparatus. Clamp is constructed of strong aluminum alloy; fitted with over-sized knobs for very secure positioning. Rods supported on 102mm (4") long surface to avoid vibration and wobble.

Material	Min. to Max. Grip Size	Part Number
Aluminum	6 to 24mm (0.24 to 0.95")	04340-50



04340-50

Swivel Holder

Two rod holders with center swivel capacity allow tilting of clamps at any angle in parallel planes. Outside adjustment screw allows close proximity between items being held. Stainless Steel electro-polished or Nickel-plated zinc construction.

Material	Min. to Max. Grip Size	Part Number
Stainless steel	0 to 19mm (0 to 0.75")	08129-94
Nickel-plated zinc	0 to 19mm (0 to 0.75")	08041-14



08129-94
(shown in stainless steel)

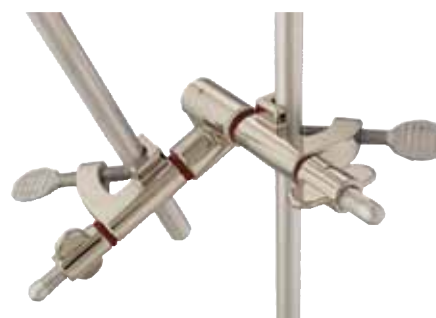


08041-14
(shown in nickel-plated zinc)

All-Position Clamp Holder

Surpass standard holding capabilities. The all-position clamp holder permits adjustment at any angle in any plane. Holders are set at 90° to each other, connected by a 90° connector, allowing 360° rotation. Nickel-plated zinc construction.

Min. to Max. Grip Size	Part Number
0 to 19mm (0 to 0.75")	08041-16



08041-16

Connectors & Holders

Hook Connector

Stainless steel electro-polished finish or nickel-plated zinc construction. Simple, versatile, and easy-to-use. Hook connectors allow one-handed assembly of two components with one adjustment screw.

Material	Min. to Max. Grip Size	Part Number
Stainless steel	0 to 13mm (0 to 0.51")	08021-60
Nickel-plated zinc	0 to 13mm (0 to 0.51")	08041-30



End-to-End Connector

Extend the length of lab-frame rods. Strong aluminum alloy connector permits end-to-end joining of rods. Precision boring of connector ensures perfect alignment of rods. Corrosion-resistant. Comes with

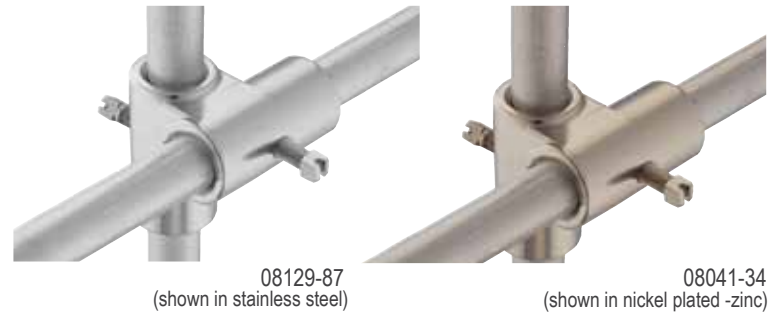
Min. to Max. Grip Size	Part Number
0 to 13mm (0 to 0.51")	08041-18



Rod End Connector

Holds rods firmly at 90°. Use when semi-permanent installations are required. Comes with two set screws and is precision bored for close fit. Stainless steel electro-polished finish or nickel-plated zinc

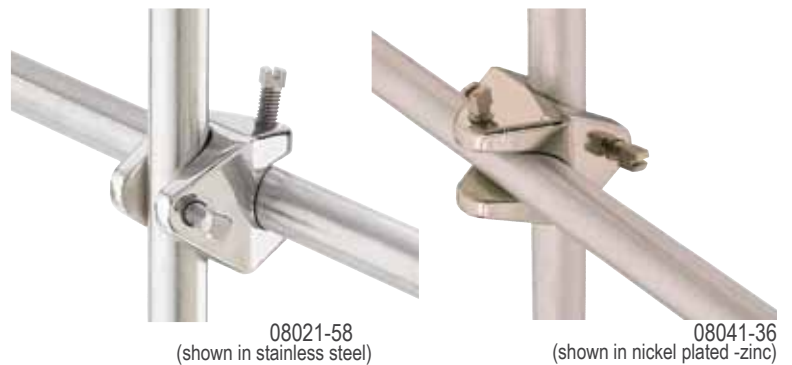
Material	Min. to Max. Rod Size	Part Number
Stainless Steel	0 to 13mm (0 to 0.51")	08129-87
Nickel-plated zinc	0 to 13mm (0 to 0.51")	08041-34



S-Connector

Stainless steel electro-polished finish or nickel-plated zinc. Clamp is ideal for constructing lab-frames or other supports requiring the connection of two perpendicular rods. Clamp connects two 13mm (0.51") rods at a 90° angle and features separate adjustment screws for each rod location.

Material	Min. to Max. Grip Size	Part Number
Stainless steel	0 to 13mm (0 to 0.51")	08021-58
Nickel-plated zinc	0 to 13mm (0 to 0.51")	08041-36



Frame Connector (pack of 12)

Improved contour delivers simplicity and strength. Angled adjustment screws allow easy set-up and prevent misalignment. Smooth, rounded surfaces are easy-to-clean. Small size maximizes lab-frame space. Bright dipped aluminum finish sealed with silicon for maximum protection against corrosion.

Min. to Max. Grip Size	Part Number
0 to 13mm (0 to 0.51")	08041-32



CLAMPS & SUPPORTS

Connectors & Holders

Universal Stirrer Mounting Bracket

Use to mount stirrers and other devices to lab-frames. Aluminum mounting bracket with attachment screws.

Max. Weight Mounted	Min. to Max. Grip	Part Number
2.27kg (5lbs)	0 to 20mm (0 to 0.78")	08041-40



08041-40

Multi-Rod Connector

Maximum adjustment capability within one connector. Two adjustment rods fit into the oval hole in the connector, preventing turning when tightened. Side and front 13mm (0.51") holes allow creation of a variety of configurations. Nickel-plated zinc construction.

Min. to Max. Rod Size	Part Number
0 to 13mm (0 to 0.51")	08041-12



08041-12

Wrench

Special adjusting wrench is for use with lab-frame items with set screws.

Length	Part Number
79mm (3.11")	08025-90

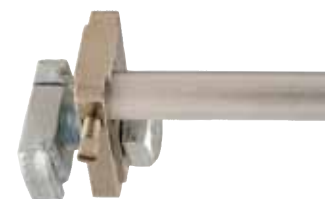


08025-90

Channel Connector

Special connector fastens lab-frame rod to steel 41mm (1.61") channels. Loosen the connector and slide up or down for easy adjustment of rod position.

Dimensions	Part Number
33 x 40mm (1.3 x 1.58")	08025-85



08025-85

Horizontal Mounting Bars with Coupler

Threaded end for direct installation into channels. Comes with spring coupler for use in steel 41mm (1.61") channels. Locking nut included. Use with steel channel frames.

Bar Length	Part Number
51mm (2")	08041-02
102mm (4")	08041-04
152mm (6")	08041-06
203mm (8")	08041-08



08041-06