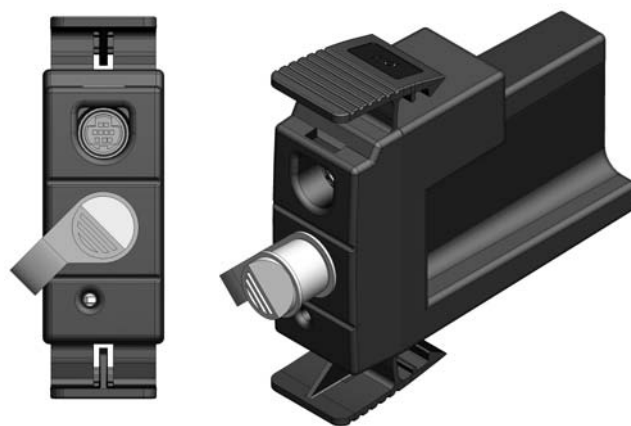


**Thermo Scientific Orion VERSA STAR™
pH/Temperature Module**

Reference Guide



Ross and the COIL trade dress are trademarks of Thermo Fisher Scientific, Inc. and its subsidiaries.

AQUAfast, AQUASensors, BOD AutoEZ, ionplus, KN1pHE, LogR, No Cal, ORION, perpHect, PerpHecT, pHISA, pHuture, Pure Water, Sage, ROSS, ROSS Ultra, Sure-Flow, Titrator PLUS, and TURBO2 are registered trademarks of Thermo Fisher Scientific, Inc. and its subsidiaries.

A+, All in One, Aplus, AUTO-BAR, AUTO-CAL, Auto-ID, AUTO-READ, AUTO-STIR, Auto-Test, AutoTraction, CISA, digital LogR, DuraProbe, EZ Startup, ISEasy, Low Maintenance Triode, Minimum Stir Requirement, MSR, NISS, Optimum Results, Orion Dual Star, Orion Star, SAOB, SMART AVERAGING, SMART STABILITY, Star LogR, Star Navigator 21, Stat Face, Triode are trademarks of Thermo Fisher Scientific, Inc. and its subsidiaries.

Guaranteed Success and The Technical Edge are service marks of Thermo Fisher Scientific, Inc. and its subsidiaries.

© 2011 Thermo Fisher Scientific Inc. All rights reserved. All trademarks are the property of Thermo Fisher Scientific, Inc. and its subsidiaries.

The specifications, descriptions, drawings, ordering information and part numbers within this document are subject to change without notice.

This publication supersedes all previous publications on this subject.

Thermo Scientific Orion VERSA STAR™ pH/Temperature Module

Table of Contents

Chapter 1	Introduction	1
Chapter 2	Module Overview	3
	Module Connections and Inputs	3
	Module Maintenance	3
	Display Information From Module	4
Chapter 3	Setup Menus	5
	Setup Menus for Primary Measurements	5
	<i>Read Type Information</i>	<i>6</i>
	<i>Isopotential Value</i>	<i>6</i>
	<i>Linear Regression Information</i>	<i>6</i>
	Setup Menu for Temperature	7
Chapter 4	pH, RmV and ORP Calibration	9
	pH Calibration	9
	RmV Calibration	9
	ORP Calibration	10
Chapter 5	Temperature Calibration	11
Chapter 6	Measurement	13
Chapter 7	Methods	15
Chapter 8	Data Storage and Review	17
	Data Storage Settings	17
	<i>Measurement Read Type</i>	<i>17</i>
	<i>Datalog, Computer and Printer Export Settings</i>	<i>17</i>
	Datalog Review	17
	Calibration Review	18
Chapter 9	Customer Service	19
	Troubleshooting Guide	19
	Assistance	19
	Warranty and Registration	19
	WEEE Compliance	19
	Declaration of Conformity	20
	pH/Temperature Module Specifications	21
	Ordering Information	22
Appendix	Advanced Features	27
	Automatic pH Buffer Recognition Feature	27
	<i>Testing a pH Electrode for Automatic Buffer Recognition</i> ..	<i>27</i>
	Electrode Condition Icon	28
	Multipoint Calibration Curve Feature	29

This page intentionally left blank.

Chapter 1 Introduction

Thank you for your purchase of the Thermo Scientific Orion VERSA STAR™ pH/Temperature Module. This module is for use with the Thermo Scientific Orion VERSA STAR Advanced Electrochemistry Benchtop Meter. Some key features of this module include:

- pH range from -2 to 20 with resolution options of 0.001, 0.01 and 0.1
- mV and RmV ranges from ± 2000 mV
- Automatic and manual datalogging options
- Up to 6-point pH calibration with automatic recognition for USA/NIST and DIN buffers
- The ability to fix calibration errors without a complete recalibration thanks to calibration editing

Please read this reference guide thoroughly. Any use outside of these instructions may invalidate your warranty and cause permanent damage to the meter.

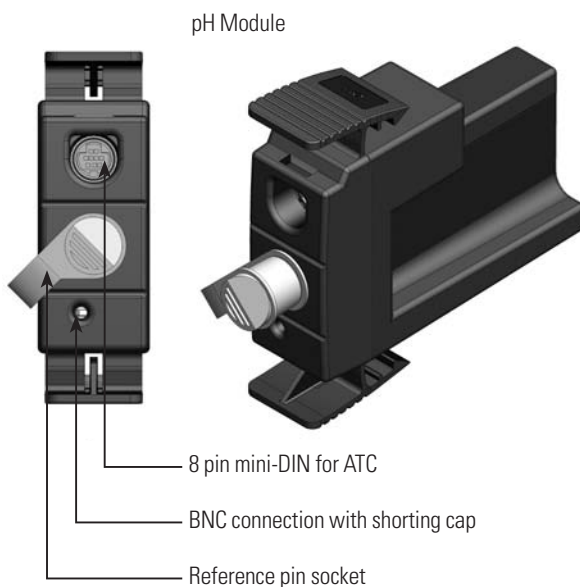
This page intentionally left blank.

Chapter 2 Module Overview

To connect the modules to the meter and for specific information regarding the meter outputs, please see the Orion VERSA STAR Reference Guide. The Reference Guide is on the CD included with the meter and also available at www.thermoscientific.com/water.

Module Connections and Inputs

1. Prepare the pH Triode® or electrode/ATC probe for use as instructed in user guide.
2. Place electrode and ATC and Orion Star stirrer probe (cat. no. 096019, optional) in meter's electrode arm.
3. Attach the BNC and ATC connectors to the meter module. If using the stirrer probe, attach probe to the meter and assign the probe to the channel in the setup menu for instrument settings.
4. Set up work area with calibration buffers, rinse water, sample & other supplies.
5. Connect the meter for data collection (Hyperterminal, LIMS, Star Printer, etc), if desired.
6. Power the Orion VERSA STAR meter, Orion Star stirrer, and data collection device(s).



Module Maintenance

For routine maintenance, dust and wipe the module with a damp cloth. If necessary, warm water or mild water-based detergent can be used. Maintenance can be performed on a daily, weekly or monthly basis, as required by operating environment. Immediately remove any spilled substance using the proper cleaning procedure for that spill type.

Display Information from Module

Example pH Measurement Screen – Single Channel

Primary reading → 7.000 pH

Calibration information with electrode slope from last calibration and buffer points → 2.000 pH, 4.010 pH, 7.000 pH, 10.010 pH, 12.450 pH

Date and time → 05-Aug-11 10:10 AM

Sample temperature → 25.0 °C (ATC)

Corresponding mV reading → 0.0 mV

Electrode condition and slope → 98.0 %

User ID: Raj, Electrode: ABC1237896, Sample ID: A123456789

Buttons: Cal, Sample ID, Setup

Display View Option

Channel	<input checked="" type="checkbox"/>
Measurement Mode	<input checked="" type="checkbox"/>
Method	<input checked="" type="checkbox"/>
Stable	<input checked="" type="checkbox"/>
Temperature	<input checked="" type="checkbox"/>
Secondary Parameter	<input checked="" type="checkbox"/>
Calibration Details	<input checked="" type="checkbox"/>
User ID	<input checked="" type="checkbox"/>
Sample ID	<input checked="" type="checkbox"/>
Electrode Serial No.	<input checked="" type="checkbox"/>

Buttons: Done, Select

The information on the display can be customized. Enter the setup menu to make changes.

1. Press **Setup**.
2. Use the arrow keys to highlight Inst. Settings, press **(f3/select)** key.
3. Use the arrow key to highlight Display View. Press **(f3/select)** key.
4. Follow the onscreen prompts to choose what you would like to see on the measurement screen.

Example Single Channel Display Screens for ORP, RmV & mV Modes

Channel 1 ORP Measurement

Primary reading: 419.5 mV

Temperature: 25.0 °C (ATC)

Offset mV: 200.0

Last Calibration: 12 Oct 10, 2:13 pm

User ID: Raj, Electrode: ABC1237896, Sample ID: A123456789

Buttons: Print, Edit, Graph

ORP screen

Channel 1 RmV Measurement

Primary reading: 900 mV

Temperature: 25.0 °C (ATC)

Offset mV: 200.0

Last Calibration: 12 Oct 10, 2:13 pm

User ID: Raj, Electrode: ABC1237896, Sample ID: A123456789

Buttons: Print, Edit, Graph

RmV screen

Channel 1 mV Measurement

Primary reading: 100.0 mV

Temperature: 25.0 °C (ATC)

User ID: Raj, Electrode: ABC1237896, Sample ID: A123456789

Buttons: Print, Edit, Graph

mV screen

Chapter 3 Setup Menus

Setup Menus for Primary Measurements

1. Select the pH channel by pressing the channel key, then press **f3 (Setup)**.
2. Scroll with the **(>) key**, highlight the appropriate pH module, press **f3 (Select)**.
3. Arrow the cursor to Mode, press **f3 (Select)**, arrow to pH, press **f3 (Select)**.
4. Select the options.

pH Setup Menu

(Default values are in bold in the table below)

Electrode ID	Input
Sample ID	Off , Manual, Auto Increment
Resolution	0.1, 0.01, 0.001
Stability	Smart , Fast, Medium, Slow
Averaging	Off, Automatic Smart
Read Type	AutoRead , Timed, Continuous
Buffer Group	USA , DIN, Custom
Isopotential Value	Off, On 7.000
Linear Regression	Off , On
Alarm**	Limit, CalDue, Set Point

** Limit and set point alarm default set to 'off'.
Cal due alarm set to 12 hours.

ORP, RmV and mV Setup Menus

(Default values are in bold in the table below)

Electrode ID	Input
Sample ID	Off , Manual, Auto Increment
Resolution	1.0, 0.1
Stability	Smart , Fast, Medium, Slow
Averaging	Off, Automatic Smart
Read Type	AutoRead , Timed, Continuous
Alarm**	Limit, CalDue*, Set Point

Note: Different modes (mV, RmV, ORP) in the pH module have setup options relevant to that mode. *Only for ORP and RmV modes.

** Limit and set point alarm default set to 'off'.
Cal due alarm set to 12 hours.

5. Press the **f1 (Back)** button to step back to the main screen.

Read Type Information

There are three main read types available as shown in the setup menus.

- **Auto-Read** – The meter will display the measurement as it stabilizes and lock and hold the measurement when it is stable. (The AR icon will lock on the screen.) Once the measurement is locked, the meter will automatically export the measurement to the data log, if the data log is enabled in the setup menu, and to a printer or computer, if a printer or computer is connected to the meter and enabled in the setup menu. To take a new measurement, press **measure (esc)/1**.
- **Timed** – The meter will read and display a measurement at the set time interval that is programmed by the operator. There are two options:
 1. By checking/selecting the "Interval" box, at the set time interval, the meter will automatically export the measurement to the data log, if the data log is enabled in the setup menu, and to a printer or computer, if a printer or computer is connected to the meter and enabled in the setup menu. If selected, enter the time interval value in a hours:minutes:seconds format using the numeric keypad and press **f3 (select)** key.
 2. If the "Interval" box is unchecked/not selected, a single timed measurement will be taken. The meter will apply the same saving and exporting data conditions as with the set time interval to record and export data, but lock after one timed reading has expired. Press **measure (esc)/1** to reset the countdown clock and take a new reading.
- **Continuous** – The meter will continuously measure and update the display. This read type is useful when performing an experiment that requires continuous measurements to be taken. Press the **log/print/0** key to export the measurement to the data log, if the data log is enabled in the setup menu, and to a printer or computer, if a printer or computer is connected to the meter and enabled in the setup.

Isopotential Value

The slope of all electrodes changes with temperature, based on the Nerst equation. The slope curves at the different temperatures intersect at the isopotential point, which is the concentration at which the potential of the electrode does not vary with temperature. For glass pH electrodes, this value is 7.00.

Linear Regression Information

The default is off which uses the traditional, segmented approach. The segmented approach is the most accurate and precise. More information can be found in the appendix section of this reference guide under the Multipoint Calibration Curve Feature.

Selecting "on" for this option results in the use of a single best fit line for the calibration curve, and can be beneficial if pH measurements vary greatly.

Setup Menu for Temperature

All of the temperature measurement settings are found in Temperature Setup menu for each measurement.

Temperature Unit	°C or °F selection
Temperature Input and Type	Ch-1 ATC, Ch-2 ATC, Ch-3 ATC, Ch-4 ATC, MTC
Temperature Cal	Ch-1* ATC only or All ATC allows all ATCs to be calibrated at once

* This number will change to match the setup menu channel.

Temperature probes can be set up in the measurement mode of the sample you are measuring. Ch-1 ATC allows the temperature probe to be used in more than one channel for temperature-compensated measurements, such as when a pH electrode and a 2-cell conductivity cell are in the same measurement sample. Temperature is a critical pH and conductivity measurement as the measurement values require a temperature correction to determine the reference value, often 25 °C in the America and 20 °C in Europe.

This page intentionally left blank.

Chapter 4 pH, RmV and ORP Calibration

pH Calibration

Up to six pH buffers can be used for calibration. This can be a combination of automatically-recognized USA/NIST or DIN buffer values and custom buffers. Always use fresh pH buffers and select buffers that bracket the sample pH and are at least one pH unit apart. Prepare the pH electrode according to the instructions in the electrode user guide.

1. Press **f1 (Cal)** to perform a pH calibration.
2. Follow screen prompts for calibration. Use fresh buffers, rinse electrode with DI water before each reading, blot with a lint free tissue.
3. USA and DIN buffer sets are automatically recognized based off the selection in the setup menu, and the meter allows custom buffers to be used for up to 6 calibration points. Custom buffer option prompts for the nominal values and stores data.
4. During calibration, points can be edited or retested prior to acceptance.
5. Information for the last calibration can be displayed on the main measurement screen. Refer to this reference guide, Chapter 2 Module Overview, Display Information section for more information.

RmV Calibration

One standard can be used for relative mV calibration. Always use fresh standard. Prepare the electrode according to the instructions in the electrode user guide.

1. Press **f1 (Cal)** to enter calibration mode.
2. Follow the screen prompts for calibration.
3. The calibration can be saved or printed when complete.
4. Information for the last calibration can be displayed on the main measurement screen. Refer to this reference guide, Chapter 2 Module Overview, Display Information section for more information.

ORP Calibration

The mV reading of an ORP standard is dependent on the ORP electrode reference system, reference material, filling solution and ORP standard temperature. An ORP electrode can be automatically calibrated to read 420 mV relative to the Standard Hydrogen Electrode (E_{H}) at 25 °C when the Orion ORP standard (cat. no. 967901 or 96791), Orion ORP electrode (cat. no. 9678BNWP, 9778BNWP, 9180BNMD or 9179BNMD) and Orion 4M KCl filling solution (cat. no. 900011) or 4M KCl gel (in electrode with cat. no. 9179BNMD) are used. The raw mV reading of an electrode with the same conditions is 220 mV at 25 °C.

One standard can be used for ORP calibration. Always use fresh standard. Prepare the electrode according to the instructions in the electrode user guide.

1. Press **f1 (Cal)** to enter calibration mode.
2. Follow the screen prompts for calibration.
3. The calibration can be saved or printed when complete.
4. Information for the last calibration can be displayed on the main measurement screen. Refer to this reference guide, Chapter 2 Module Overview, Display Information section for more information.

Chapter 5 Temperature Calibration

The ATC temperature display has a relative accuracy of ± 0.1 °C. ATC probes (both separate and those built into electrodes) have varying temperature accuracies, usually ± 0.5 °C to ± 2 °C. *Use this function only if necessary.* Since the temperature offset calculated during the calibration is applied to all future temperature measurements, recalibrate if a different ATC probe is used. For temperature calibration, the probe needs to be connected to the meter and the calibration solution should have a known, stable temperature. It is recommended that two NIST-traceable thermometers be used to measure and verify solution temperature.

1. Press **f3 (setup)** key.
2. Use the arrow keys to highlight the channel that the temperature probe is connected to. Press **f3 (select)**.
3. Use the arrow keys to highlight Temperature and press **f3 (select)**.
4. Use the arrow keys to highlight the appropriate Temperature Cal option and press **f3 (select)**.
5. Follow the onscreen prompts.

This page intentionally left blank.

Chapter 6 Measurement

After a successful calibration, the samples can be tested.

1. Rinse the electrode with deionized water. Blot dry with lint-free tissue.
2. Place electrode/ATC probe in first sample and stir gently.
3. If the meter is in AutoRead mode (meter default) press **measure (esc) (1)** key. If the meter is in continuous or timed read mode, the meter will immediately start taking readings.
4. If in AutoRead mode and datalog is enabled (default), the reading will automatically be stored when the "AR" appears. If in continuous read mode and datalog is enabled, press **log/print (0)** key to store into the meter's memory.

Note: To enable or disable datalogging, press **setup** and select Inst. Settings.

This page intentionally left blank.

Chapter 7 Methods

The meter stores up to ten methods per channel with the last calibration data stored for each method. Use the channel setup to access and modify methods.

1. Press **f3 (setup)** key.
2. Use the arrow keys to highlight the appropriate channel. Press **f3 (select)**.
3. Use the arrow keys to highlight Method and press **f3 (select)**.
4. The methods can be loaded, copied, saved and edited by following the onscreen prompts.

This page intentionally left blank.

Chapter 8 Data Storage and Review

Data Storage Settings

Measurement Read Type

The measurement read type determines when the meter sends measurements to outputs as selected in the setup menu and when properly connected to the meter. These are set individually for each channel. Measurement Read Type is set per channel in the setup menu. Please refer chapter 3 Setup Menus in this reference guide for more information.

Datalog, Computer and Printer Export Settings

Orion VERSA STAR Meters have a 2000-datalog capability. To make your selection:

1. From measurement mode, press **setup/3**.
2. Press the arrow keys to highlight Inst. Settings. Press **setup/3**.
3. Use the arrow keys, **f2 (page)** key and **f3 (select)** key to:
 - a. set the communication protocol
 - b. turn on printing
 - c. select the print format
 - d. turn on datalogging

For more information on these settings, refer to the Orion VERSA STAR Reference Guide, Chapter 3 Instrument Settings to turn on Data Log to enable data storage.

Datalog Review

This option allows for stored data to be:

- reviewed
- printed individually, in a group or all
- deleted
- analyzed with general statistical information

The datalog will reflect a screen capture of all the information at the time of datalogging.

To review datalog information

- Press **log view (9)** key
- Press **f3 (select)** key
- Follow prompts to review information

Calibration Review

This feature allows for review and printing of each of the last 10 calibrations for each parameter of the meter. The information will match the information recorded for that calibration.

To review calibration information

1. Press **log view (9)** key.
2. Press **right arrow (6)** key to select CalLog information and **down arrow (8)** to highlight the desired parameter.
3. Press **f3 (select)** key and follow the prompts.

Chapter 9 Customer Services

Troubleshooting Guide

Error	Recommended Actions
Measurement is flashing 9999 and over range or under range.	Measurement is outside the allowable measurement range. Check electrode connection and settings in the setup menu. Clean the electrode according to the electrode user guide and recalibrate the electrode with new buffers or standards. If the error continues, perform the meter self test in the diagnostics menu.
The measurement freezes and will not change.	The meter is in AutoRead mode. (AR icon appears solid on the display.) Press measure (esc)/1 key to take a new reading or go to setup to change the read type.
The meter does not automatically recognize the pH buffer during calibration.	Verify the correct buffer set was selected in the setup menu. The meter uses raw mV readings to recognize the buffer. As the electrode ages or becomes dirty, its mV readings will drift. Check buffers and clean electrode according to electrode instructions.

Assistance

After troubleshooting all components of your measurement system, contact Technical Support. Within the United States call 1.800.225.1480 and outside the United States call 978.232.6000 or fax 978.232.6031. In Europe, the Middle East and Africa, contact your local authorized dealer. For the most current contact information, or the latest application and technical resources for Thermo Scientific Orion products, visit www.thermoscientific.com/water.

Warranty and Registration

To register your new meter and for the most current warranty information, visit www.thermoscientific.com/water.

WEEE Compliance



This product is required to comply with the European Union's Waste Electrical & Electronic Equipment (WEEE) Directive 2002/96/EC. It is marked with the symbol above.

Thermo Fisher Scientific has contracted with one or more recycling/disposal companies in each EU Member State and this product should be disposed of or recycled through them. Further information on compliance with these directives, the recyclers in your country, and information on Thermo Scientific Orion products that may assist the detection of substances subject to the RoHS Directive are available at www.thermoscientific.com.

Declaration of Conformity

Manufacturer: Thermo Fisher Scientific Inc.

Address: Ayer Rajah Crescent
Blk 55 #04-16/24
Singapore 139949
Singapore

Hereby declares that the following products:

Orion VERSA STAR Advanced Electrochemistry Benchtop Meters with Modules are rated 100 to 240 VAC, 50/60 Hz, 0.5A.

Equipment Class:

Measurement, control and laboratory
Orion Star A-series meters are EMC Class A

Conforms with the following directives and standards:

EN61326-1:2006

Electromagnetic Compatibility (EMC Directive)

Electrical equipment for measurement,
control and laboratory use - EMC requirements

EN61010-1:2001

Safety Standards

UL61010-1:2004

Safety requirements for electrical equipment for measurement,

CAN/CSA C22.2 No. 61010-1-04

control and laboratory use - general requirements



Cheow Kwang Chan
QA/Regulatory Manager

Place and Date of Issue:
12 December, 2011
Singapore

pH/Temperature Module Specifications



pH Module (VSTAR-PH) Specifications		
pH	Range	-2.000 to 20.000
	Resolution	0.1, 0.01, 0.001
	Relative Accuracy	±0.002
	Calibration Points	Up to 6
	Calibration Editing	Yes
	Adjustable ISO Point	Yes
mV/RmV	Range	±2000.0 mV
	Resolution	0.1
	Relative Accuracy	±0.2 mV or ±0.05 % of reading whichever is greater
	E _H ORP Mode	Yes
Temperature	Range	-5 to 105 °C, 23 to 221 °F
	Resolution	0.1
	Relative Accuracy	±0.1
	Offset Calibration	1 point
Inputs	pH: BNC, reference pin ATC: 8-pin mini-DIN	

NOTE: We reserve the right to make improvements. Specifications subject to change without notice.

Ordering Information

CML #	Description
VSTAR00	<p>Orion VERSA STAR Benchtop Meter</p> <ul style="list-style-type: none"> - Electrode arm with redesigned holder - Universal power adapter
VSTAR10	<p>Orion VERSA STAR pH Benchtop Meter Set</p> <ul style="list-style-type: none"> - Orion VERSA STAR meter with pH/temperature module - Electrode arm with redesigned holder - Universal power adapter
VSTAR12	<p>Orion VERSA STAR pH Benchtop Meter Kit</p> <ul style="list-style-type: none"> - Orion VERSA STAR meter with pH/temperature module - 8302BNUMD Orion ROSS Triode pH/ATC probe - 096019 Orion Star stirrer probe - 810199 ROSS solution kit (475 mL each of pH 4, 7 and 10 buffers; storage solution; cleaning solution; and pH electrode storage bottle) - Electrode arm with redesigned holder - Universal power adapter
VSTAR20	<p>Orion VERSA STAR Conductivity Benchtop Meter Set</p> <ul style="list-style-type: none"> - Orion VERSA STAR meter - Orion VERSA STAR conductivity/temperature module - Electrode arm with redesigned holder - Universal power adapter
VSTAR22	<p>Orion VERSA STAR Conductivity Benchtop Meter Kit</p> <ul style="list-style-type: none"> - Orion VERSA STAR meter - Orion VERSA STAR conductivity/temperature module - 013005MD Orion DuraProbe conductivity cell, K=0.475 - 011007 conductivity standard, 1413 μS, 5x60 mL - Electrode arm with redesigned holder - Universal power adapter
VSTAR30	<p>Orion VERSA STAR RDO/Dissolved Oxygen Benchtop Meter Set</p> <ul style="list-style-type: none"> - Orion VERSA STAR meter - Orion VERSA STAR dissolved oxygen/temperature module - Electrode arm with redesigned holder - Universal power adapter
VSTAR32	<p>Orion VERSA STAR RDO/Dissolved Oxygen Benchtop Meter Kit</p> <ul style="list-style-type: none"> - Orion VERSA STAR meter - Orion VERSA STAR dissolved oxygen/temperature module - 083005MD Orion polarographic DO probe - 080017 calibration sleeve for DO probe - 080513 DO probe maintenance kit - 970802 BOD funnel/stirrer - 080360 BOD adapter - Electrode arm with redesigned holder - Universal power adapter

CML #	Description
VSTAR40A	<p>Orion VERSA STAR pH/ISE Benchtop Meter Set</p> <ul style="list-style-type: none"> - Orion VERSA STAR meter - Orion VERSA STAR pH/ISE/temperature module - Electrode arm with redesigned holder - Universal power adapter
VSTAR40A2	<p>Orion VERSA STAR pH/ISE Benchtop Meter Kit</p> <ul style="list-style-type: none"> - Orion VERSA STAR meter - Orion VERSA STAR pH/ISE/temperature module - 8102BNUWP Orion ROSS Ultra pH electrode - 096019 Orion Star stirrer probe - 927007MD ATC probe, stainless steel - ROSS solution kit (475 mL each of pH 4, 7 and 10 buffers; storage solution; cleaning solution; and pH electrode storage bottle) - Electrode arm with redesigned holder - Universal power adapter
VSTAR40B	<p>Orion VERSA STAR Benchtop Meter with Two pH/ISE Modules</p> <ul style="list-style-type: none"> - Orion VERSA STAR meter - Two Orion VERSA STAR pH/ISE/temperature modules - Electrode arm with redesigned holder - Universal power adapter
VSTAR40B2	<p>Orion VERSA STAR Benchtop Meter with Two pH/ISE Modules Kit</p> <ul style="list-style-type: none"> - Orion VERSA STAR meter - Two Orion VERSA STAR pH/ISE/temperature modules - 8102BNUWP Orion ROSS Ultra pH electrode - 096019 Orion Star stirrer probe - 927007MD ATC probe, stainless steel - ROSS solution kit (475 mL each of pH 4, 7 and 10 buffers; storage solution; cleaning solution; and pH electrode storage bottle) - Two electrode arms with redesigned holders - Universal power adapter
VSTAR50	<p>Orion VERSA STAR pH/Conductivity Benchtop Meter Set</p> <ul style="list-style-type: none"> - Orion VERSA STAR meter - Orion VERSA STAR pH/temperature module - Orion VERSA STAR conductivity/temperature module - Electrode arm with redesigned holder - Universal power adapter
VSTAR52	<p>Orion VERSA STAR pH/Conductivity Benchtop Meter Kit</p> <ul style="list-style-type: none"> - Orion VERSA STAR meter with pH/temperature module - Orion VERSA STAR conductivity/temperature module - 8157BNUMD Orion ROSS Ultra Triode pH/ATC probe - 013005MD Orion DuraProbe conductivity cell, K=0.475 - 810199 ROSS solution kit (475 mL each of pH 4, 7 and 10 buffers; storage solution; cleaning solution; and pH electrode storage bottle) - 011007 conductivity standard, 1413 μS, 5x60 mL - Electrode arm with redesigned holder - Universal power adapter

CML #	Description
VSTAR80	<p>Orion VERSA STAR pH with LogR Benchtop Meter Set</p> <ul style="list-style-type: none"> - Orion VERSA STAR meter - Orion VERSA STAR pH/temperature with LogR technology module - Electrode arm with redesigned holder - Universal power adapter
VSTAR82	<p>Orion VERSA STAR pH Benchtop Meter Kit</p> <ul style="list-style-type: none"> - Orion VERSA STAR meter - Orion VERSA STAR pH/temperature with LogR technology module - 8172BNX Orion ROSS Sure-Flow pH electrode - 927007MD ATC probe, stainless steel - ROSS solution kit (475 mL each of pH 4, 7 and 10 buffers; storage solution; cleaning solution; and pH electrode storage bottle) - 810007 ROSS fill solution, 5x60 mL - Electrode arm with redesigned holder - Universal power adapter
VSTAR90	<p>Orion VERSA STAR pH/ISE/Conductivity/RDO/Dissolved Oxygen Benchtop Multiparameter Meter Set</p> <ul style="list-style-type: none"> - Orion VERSA STAR meter - Orion VERSA STAR pH/ISE/temperature module - Orion VERSA STAR conductivity/temperature module - Orion VERSA STAR dissolved oxygen/temperature module - Electrode arm with redesigned holder - Universal power adapter
VSTAR91	<p>Orion VERSA STAR pH/ISE/Conductivity/RDO/Dissolved Oxygen Benchtop Multiparameter Meter Set</p> <ul style="list-style-type: none"> - Orion VERSA STAR meter - Two Orion VERSA STAR pH/ISE/temperature modules - Orion VERSA STAR conductivity/temperature module - Orion VERSA STAR dissolved oxygen/temperature module - Two 096019 Orion Star stirrer probes - Two electrode arms with redesigned holders - Universal power adapter

CML #	Description
VSTAR92	<p>Orion VERSA STAR pH/ISE/Conductivity/RDO/Dissolved Oxygen Benchtop Multiparameter Meter Set</p> <ul style="list-style-type: none"> - Orion VERSA STAR meter - Orion VERSA STAR pH/ISE/temperature module - Orion VERSA STAR conductivity/temperature module - Orion VERSA STAR dissolved oxygen/temperature module - 8157BNUMD Orion ROSS Ultra Triode pH/ATC probe - 013005MD Orion DuraProbe conductivity cell, K=0.475 - 083005MD Orion polarographic DO probe - 080017 calibration sleeve for DO probe - 080513 DO probe maintenance kit - 970802 BOD funnel/stirrer - 080360 BOD adapter - 810199 ROSS solution kit (475 mL each of pH 4, 7 and 10 buffers; storage solution; cleaning solution; and pH electrode storage bottle) - 011007 conductivity standard, 1413 μS, 5x60 mL - Electrode arm with redesigned holder - Universal power adapter
VSTAR93	<p>Orion VERSA STAR pH/ISE/Conductivity/RDO/Dissolved Oxygen Ultimate Benchtop Multiparameter Meter Set</p> <ul style="list-style-type: none"> - Orion VERSA STAR meter - Orion VERSA STAR pH/ISE/temperature module - Orion VERSA STAR conductivity/temperature module - Orion VERSA STAR dissolved oxygen/temperature module - 8157BNUMD Orion ROSS Ultra Triode pH/ATC probe - 013005MD Orion DuraProbe conductivity cell, K=0.475 - 083005MD Orion polarographic DO probe - Two 096019 Orion Star stirrer probes - 080017 calibration sleeve for DO probe - 080513 DO probe maintenance kit - 970802 BOD funnel/stirrer - 080360 BOD adapter - 810199 ROSS solution kit (475 mL each of pH 4, 7 and 10 buffers; storage solution; cleaning solution; and pH electrode storage bottle) - 011007 conductivity standard, 1413 μS, 5x60 mL - Two electrode arms with redesigned holders - Universal power adapter

Accessories	
CML #	Description
VSTAR-PH	Orion VERSA STAR pH/temperature module
VSTAR-ISE	Orion VERSA STAR pH/ISE/temperature module
VSTAR-CND	Orion VERSA STAR conductivity/temperature module
VSTAR-RD	Orion VERSA STAR RDO/DO/temperature module
VSTAR-LR	Orion VERSA STAR pH/temperature with LogR technology module
STARA-BEA	Benchtop electrode arm for Orion Star A-series meters
STARA-HB	Freestanding base for use with Orion Star A-series benchtop electrode arm
STARA-PWR	Replacement universal power adapter for Orion VERSA STAR meters
096019	Orion Star stirrer probe
8102BNUWP	Orion ROSS Ultra pH electrode, refillable, glass body
8172BNWP	Orion ROSS Sure-Flow pH electrode, glass body
8156BNUWP	Orion ROSS Ultra refillable pH electrode, epoxy body
8157BNUMD	Orion ROSS Triode pH/ATC electrode, refillable, epoxy body
8302BNUMD	Orion ROSS Triode pH/ATC electrode, refillable, glass body
8172BNX	Orion ROSS Sure-Flow pH electrode, glass body
8611BNWP	Orion ROSS sodium combination ISE
927007MD	Orion ATC probe, stainless steel body
927005MD	Orion ATC probe, epoxy body
013005MD	Orion DuraProbe conductivity cell, 4-cell, K=0.475
013016MD	Orion conductivity cell, flow through, K=0.1
083005MD	Orion dissolved oxygen probe, polarographic
086030MD	Orion auto-stir DO/BOD probe, polarographic
087010MD	Orion RDO optical DO probe, 3 m cable
810199	Orion ROSS all-in-one pH buffer kit
910104	Orion pH 4.01 buffer, 475 mL
910107	Orion pH 7.00 buffer, 475 mL
910110	Orion pH 4.01 buffer, 475 mL
011008	Orion conductivity standard, 100 μ S/cm, 5x60 mL bottles
011007	Orion conductivity standard, 1413 μ S/cm, 5x60 mL bottles
011006	Orion conductivity standard, 12.9 mS/cm, 5x60 mL bottles
1010001	Orion conductivity calibration resistor kit
9512HPBNWP	Orion high-performance ammonia ISE
9512BNWP	Orion standard ammonia ISE
951007	Ammonia standard, 1000 ppm, 475 mL
951210	Low-level ammonia ISA
951211	Ammonia ISA, 475 mL
951209	Fill solution for Orion high-performance ammonia ISE, 60 mL
951202	Fill solution for standard ammonia ISE, 60 mL
951213	Ammonia ISE storage solution
9609BNWP	Orion fluoride combination ISE
040906	Fluoride standard, 1 ppm with TISAB II, 475 mL
040907	Fluoride standard, 2 ppm with TISAB II, 475 mL
040908	Fluoride standard, 10 ppm with TISAB II, 475 mL
940909	TISAB II, 1 gallon
8611BNWP	Orion ROSS sodium combination ISE

Appendix Advanced Features

Automatic pH Buffer Recognition Feature

The Orion VERSA STAR Meter with pH/Temperature module systems are capable of automatically recognizing pH 1.68, 4.01, 7.00, 10.01 and 12.46 buffers or pH 1.68, 4.01, 6.86, and 9.18 buffers during a pH calibration, depending on the pH buffer set that is selected in the setup menu. During a calibration, the meter uses the selected buffer set and the raw mV reading of the pH electrode in the buffer to recognize and display the buffer value at the measured temperature. The raw mV reading of the pH electrode in the buffer must be about ± 30 mV from the theoretical mV reading of the buffer in order for the meter to automatically recognize the buffer.

USA pH Buffer Set		DIN pH Buffer Set	
Buffer	mV Range	Buffer	mV Range
1.68	+285 to +345 mV	1.68	+285 to +345 mV
4.01	+207 to +147 mV	4.01	+207 to +147 mV
7.00	- 30 to + 30 mV	6.86	+38 to -22 mV
10.01	-207 to -147 mV	9.18	-99 to -159 mV
12.46	-293 to -353 mV		




Testing a pH Electrode for Automatic Buffer Recognition

To verify that the raw mV reading of the pH electrode in use is ± 30 mV from the theoretical mV reading of the buffer, and therefore verify that the pH electrode in use is capable of performing automatic buffer recognition, perform the following procedure.

1. Set the measurement mode to mV. Prepare the pH electrode according to the instructions in the pH electrode user guide.
2. Rinse the pH electrode with distilled water, blot it dry with a lint-free tissue and place the pH electrode into a pH 4.01 buffer at approximately 25 °C.
3. Wait for the measurement to stabilize and record the mV value of the pH 4.01 buffer when the meter indicates that the measurement is stable. The read type selected in the setup menu will determine how the mV measurements are displayed by the meter.
4. Remove the pH electrode from the pH 4.01 buffer.
5. Rinse the pH electrode with distilled water, blot it dry with a lint-free tissue and place the pH electrode into a pH 7.00 buffer at approximately 25 °C.
6. Wait for the measurement to stabilize and record the mV value of the pH 7.00 buffer when the meter indicates that the measurement is stable.
7. The mV reading of the pH electrode in pH 4.01 buffer should be in the range of +207 to +147 mV and the mV reading of the pH electrode in pH 7.00 buffer should be in the range of -30 to +30 mV. If the mV readings of the pH electrode are in the correct ranges, the pH electrode is capable of performing automatic buffer recognition. If the mV readings of the pH electrode are not in the correct ranges, the values of the pH buffers will need to be manually entered during a pH calibration.

Electrode Condition Icon

The electrode condition icon indicates the performance of the pH electrode, based on the last saved calibration and electrode measurement stability.

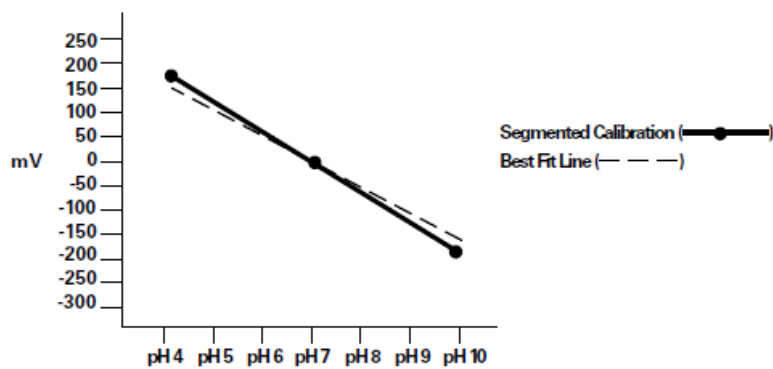
Icon	pH Electrode Definition of Icon
	Electrode condition is good and the electrode slope is 90 to 110 %.
	Electrode condition is fair and the electrode slope is 80 to 120 %.
	Electrode condition is bad and the electrode slope is less than 80 % or greater than 120 %. Consult the electrode user guide for instructions on how to clean, condition and troubleshoot the electrode.

Multipoint Calibration Curve Feature

The Orion VERSA STAR Meter with pH/Temperature module systems utilize a point-to-point scheme for multipoint calibrations in the pH mode. In this technique, straight line segments are drawn between each successive pair of calibration points. Separate slope and E_0 values are calculated using the adjacent pair of data points. For example, in a five point calibration, four slopes and five E_0 values are calculated to correspond to the four line segments that connect the data. pH values for samples are calculated according to the segment that their potential values fall into. Those above or below the range of calibration are calculated by extrapolation from the top or bottom most segment.

The displayed slope is an average slope of the separate segments. The slope may be outside the range normally expected for an electrode. For example, if the slope of one segment is low, then the average will be lower than theoretical, even though the response may be Nernstian over most of the range.

The figure below is an example of a typical calibration curve using this method.



This page intentionally left blank.

Water Analysis Instruments



North America

166 Cummings Center
Beverly, MA 01915 USA
Toll Free: 1-800-225-1480
Tel: 1-978-232-6000
info.water@thermo.com

Netherlands

Tel: (31) 033-2463887
info.water.uk@thermo.com

India

Tel: (91) 22-4157-8800
wai.asia@thermofisher.com

Japan

Tel: (81) 045-453-9175
wai.asia@thermofisher.com

China

Tel: (86) 21-68654588
wai.asia@thermofisher.com

Singapore

Tel: (65) 6778-6876
wai.asia@thermofisher.com

Australia

Tel: (613) 9757-4300
in Australia (1300) 735-296
InfoWaterAU@thermofisher.com
www.thermoscientific.com/water

© 2011 Thermo Fisher Scientific Inc. All rights reserved.

68X592001 Rev. A 12-11

Thermo
SCIENTIFIC