

07519-15 Pump Head with 07519-75 Large Cartridge
Tête de pompe 07519-15 à cartouche épaisse 07519-75
Pumpenkopf 07519-15 mit großer Schlauchkassette 07519-75
Cabeza de bomba 07519-15 con cartucho grande 07519-75
Testa pompante 07519-15 con cartuccia grande 07519-75

Model Nos.
Modèles n°
Modellnummern
Números de modelo
Modelli n°

07519-10
07519-15
07519-20
07519-25

OPERATING MANUAL

CARTRIDGE PUMP HEAD SYSTEM

NOTICE D'UTILISATION

SYSTÈME DE TÊTE DE POMPE À CARTOUCHES

BEDIENUNGSANLEITUNG

PUMPENKOPFSYSTEM MIT SCHLAUCHKASSETTEN

MANUAL DE OPERACIÓN

SISTEMA DE CABEZA DE BOMBAS DE CARTUCHOS

MANUALE DI ISTRUZIONI

SISTEMI CON TESTA POMPANTE A CARTUCCE

Cartridge Small
Cartouche mince
Kleine Schlauchkassette
Cartucho pequeños
Cartucce piccole

07519-85

Cartridge Large
Cartouche épaisses
Große Schlauchkassette
Cartucho grandes
Cartucce grandi

07519-75

**PUMP FOR LIQUIDS
ORIGINAL INSTRUCTIONS**

CONTENTS

Title	Page
SAFETY PRECAUTIONS	2
INTRODUCTION	3
(1) Application Data	3
(2) General Description	3
INSTALLATION	4
SETUP	5
(1) Select Cartridges	5
(2) Load Cartridges	5
(3) Cartridge Removal	7
(4) Bi-Directional Pumping	7
(5) Partial Bank Pumping	8
OPERATION	8
(1) Relative Pulsation Rates	8
(2) Select Tubing and Pump Heads	9
(3) Select Pump Speed	10
(4) Adjust Occlusion Settings on Cartridges	10
(5) Pump Overloading	11
MAINTENANCE	11
Service Parts	11
SPECIFICATIONS	12
WARRANTY	12
PRODUCT RETURN	12
TECHNICAL ASSISTANCE	12
APPENDIX A MASTERFLEX® L/S® Pump Drive Types	13
APPENDIX B Cartridge Loading Capacity	13

C-FLEX, PHARMED, NORPRENE, TYGON —Reg TM Saint-Gobain Performance Plastics Corp.
SANTOPRENE—Reg TM Exxon Mobil
Trademarks bearing the ® symbol in this publication are registered in the U.S. and in other countries.

US & Canada only

Toll Free 1-800-MASTERFLEX | 1-800-637-3739

Outside US & Canada

1-847-549-7600 | 1-847-381-7050

*EN809 manufactured by:

Cole-Parmer Instrument Company
28W092 Commercial Avenue, Barrington, IL 60010
techinfo@masterflex.com | www.masterflex.com

SAFETY PRECAUTIONS

WARNINGS: *Tubing breakage may result in fluid being sprayed from pump. Use appropriate measures to protect operator and equipment.*



Turn off drive before removing or installing Cartridges. Safety guards are provided to minimize risk of fingers getting caught between the roller mechanism and the base of the module. However, be safe—Keep your fingers away from these areas.

CAUTIONS: *Excessive occlusion can cause high pump temperatures and early tubing and roller failure. Do not set occlusion tighter than what is recommended in Table 4.*



Use only tubing/cartridge/pump combinations defined by Tables 1, 2, and 3. Use of other combinations could cause malfunction or damage to the pump.

Operating the pumps at speeds in excess of 250 rpm may result in premature wear of the pump rollers and tubing.

Explanation of Symbols

CAUTION: *Risk of Danger. Consult Operator's manual for nature of hazard and corrective actions.*



CAUTION: *Risk of crushing. Keep fingers away from rotor while pump is in operation. Stop pump before loading or unloading tubing.*



WARNING: PRODUCT USE LIMITATION

These products are not designed for, nor intended for use in patient connected applications, including, but not limited to, medical and dental use and, accordingly, have not been submitted for FDA approval.

INTRODUCTION

The instructions in this manual are task-oriented for easy reference. You can go directly to a particular section and quickly find the answers. Appendix A and B list MASTERFLEX® L/S® pump drive types which can be used with this system.

Pump Heads

MODEL	TYPE
Model 07519-10	6-Roller, 2 Large or 4 Small Channel, No Speed Reduction
Model 07519-20	8-Roller, 2 Large or 4 Small Channel, No Speed Reduction
Model 07519-15	6-Roller, 6 Large or 12 Small Channel, 5:1 Speed Reduction
Model 07519-25	8-Roller, 6 Large or 12 Small Channel, 5:1 Speed Reduction

Cartridges

MODEL	TYPE
Model 07519-75	Large
Model 07519-85	Small

These Cartridge Pumps are designed to provide up to 12 simultaneously driven pump channels and the ability to provide nearly pulse-free flow. In addition, the pump systems incorporate the following features:

- 5:1 speed reduction on models 07519-15 and 07519-25, providing ultra-low flow rates.
- 12 cartridge capacity of models 07519-15 and 07519-25 permit dispensing simultaneously into 12 separate containers with one set-up and pump cycle.
- Six and eight roller designs provide reduced pulsation.
- Elimination of “suckback” and greatly reduced pulsation by pairing cartridges with offset occlusion.
- Low friction rollers for minimum abrasion of tubing.
- Auto-resetting limit clutch built in to protect the Pump and Drive in case of excessive overload on models 07519-15 and 07519-25.

(1) Application Data

The six- or eight-roller Cartridge Pump Systems are designed for multi-channel use where low pulsation and/or close occlusion control of a variety of different flows is required in low-flow applications. Tubing found in Table 3 can be used to deliver from .6 µL/min to 350 mL/min.

(2) General Description

Each Pump Head System (see Figure 1) is composed of a multi-roller Pump Head and two sizes of snap-in tubing cartridges, each with individually adjustable occlusion settings. The occlusion “wedge” design provides accurate and more balanced flow control.

The Pump Heads contain either six or eight rollers. All models can operate with a variety of tubing. The six roller models are compatible with the large cartridge and MASTERFLEX® L/S® thin wall tubing, and the eight roller models are compatible with the small cartridge and .9 mm wall Microbore Tubing Sets (see Tables 1, 2, and 3).

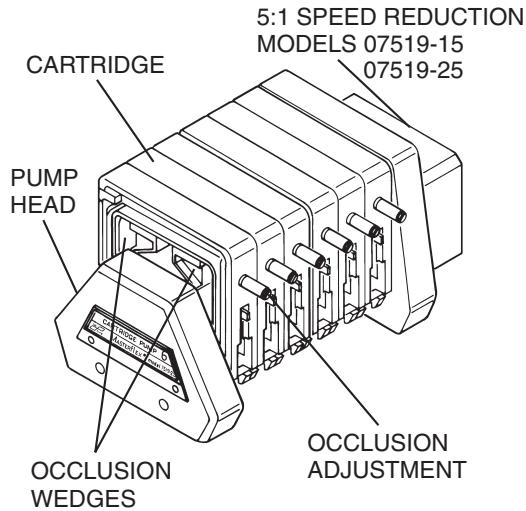
The Pump Head Systems have an off-center occlusion path that allows two oppositely mounted cartridges to be connected together for virtually pulseless flow with no suckback.

Both the six- and the eight-roller Pump Heads are available in two sizes. The short Pump Heads hold up to 2 large or 4 small cartridges and operate at the same speed as the drive. The long Pump Heads hold up to 6 large or 12 small cartridges and operate at one-fifth the speed of the drive.

Models 07519-15 and 07519-25 have an auto resetting limit clutch built in to protect the Pump and Drive in the event of an excessive overload. When an overload occurs, the clutch emits an audible clatter indicating the pump rotor is not rotating.

The Pump Head quickly mounts to most existing MASTERFLEX® L/S® Pump Drive types, (see Appendix A and B).

MODELS 07519-15 & 07519-25



MODELS 07519-10 & 07519-20

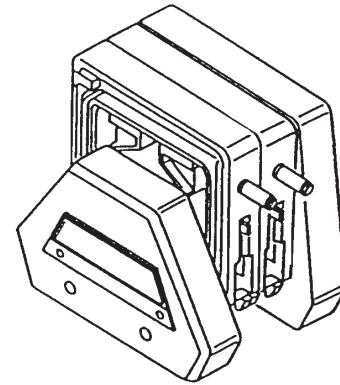


FIGURE 1 PUMP HEADS WITH CARTRIDGES

INSTALLATION

Tool Required: Long hex key (provided).

Mount the Pump Head to a MASTERFLEX® L/S® Pump Drive as follows:

1. Connect the Pump to Drive by aligning the tang on Pump Head (see Figure 2) with the slot in the motor Drive shaft.

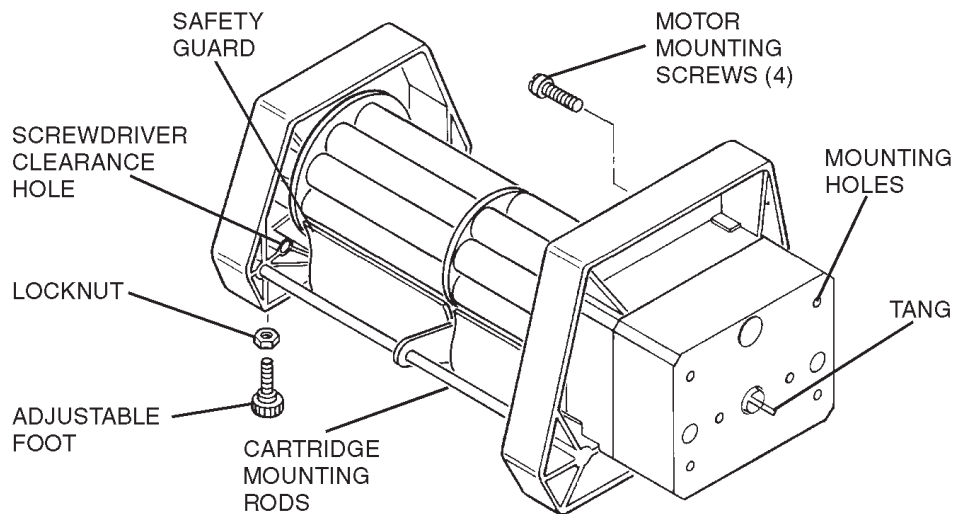


FIGURE 2 PUMP MOUNTING

2. Attach Pump Head to drive unit with four screws (provided) using the long hex key (also provided).
3. If the Pump Head requires support, install the appropriate length support screw with plastic foot and locknut (three provided). Level the Pump Head with the drive unit by adjusting the foot. Tighten the locknut against the bottom of the pump body.

SETUP

Two cartridge sizes (0.72 in and 0.36 in thick) (see Figure 3) accommodate a broad range of tubing sizes, as noted in Tables 1 and 2.

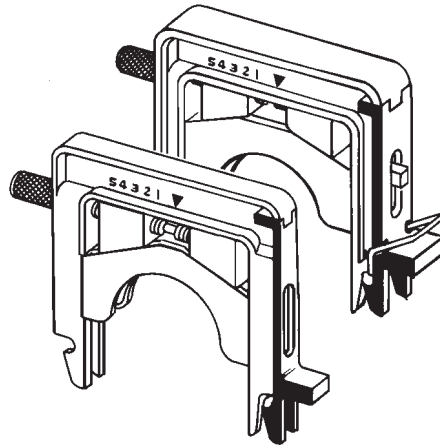


FIGURE 3 SMALL AND LARGE CARTRIDGES

(1) Select Cartridges

NOTE: These Pump Heads are designed to work with the Model 07519-75 and 07519-85 Cartridges. Do not use Model 07519-70 or 07519-80 Cartridges, which are designed for different Pump Heads.

Depending on which Pump Head is used, up to six large or twelve small tubing cartridges can be teamed up with the Pump Head. But there is a limit, depending on available drive power and pump load. For full tubing flow rates at 0 psi, Appendix B shows cartridge capacities according to tubing size and drive Type (see Appendix A for description of drive types). Cartridge sizes can be intermixed on the six-roller pump as long as the total load does not exceed the drive capability.

The small Cartridge is designed to operate with MASTERFLEX® Precision Tubing sizes L/S® 13 and L/S® 14 in either six-roller pump head and will also accommodate specially designed Microbore Tubing Sets (.9 mm wall) when used in one of the eight-roller pump heads.

The large Cartridge is designed to operate with MASTERFLEX® Precision Tubing sizes L/S® 14, L/S® 16, L/S® 25 and L/S® 17 in either six-roller pump head.

**Use only MASTERFLEX Precision Tubing and Microbore Tubing Sets with
MASTERFLEX pumps to ensure optimum performance.
Use of other tubing may void applicable warranties.**

(2) Load Cartridges

The Cartridges' occlusion surfaces are positioned asymmetrically around the pump roller assembly (see Figure 3), so orientation on the Pump Head may be important for certain applications.

To achieve parallel, synchronized pulsations and fluid "pillows" through all channels, orient Cartridges in the same direction.

To achieve nearly pulseless flow, install Cartridges in alternate directions and connect equal lengths of tubing from the discharge side of two alternate cartridges together through a Y connector as shown (see Figure 4). The asymmetric design of the cartridges provides overlapping pulses through the two tubings, which act to almost completely cancel pulsation in the combined flow channel.

NOTE: The joined flow rate will be greater than the single channel flow rate for any given tubing size and pump speed.

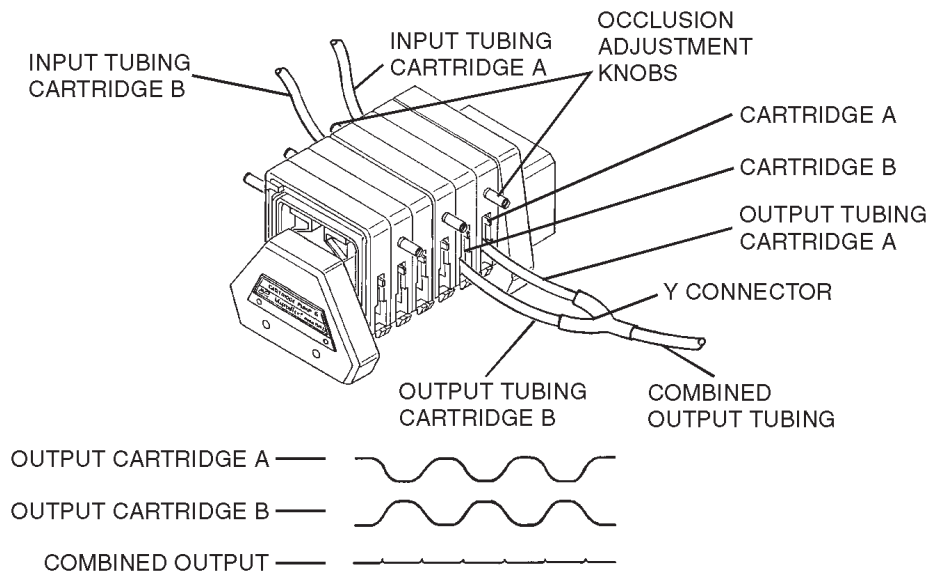


FIGURE 4 REDUCED PULSATION CONNECTION

WARNINGS: *Tubing breakage may result in fluid being sprayed from pump. Use appropriate measures to protect operator and equipment.*



Turn off drive before removing or installing Cartridges. Safety guards are provided to minimize risk of fingers getting caught between the roller mechanism and the base of the module. However, be safe—Keep your fingers away from these areas.

CAUTION: *Use only tubing/cartridge/pump combinations defined by Tables 1, 2, and 3. Use of other combinations could cause malfunction or damage to the pump.*



With the drive stopped, follow this procedure to install Cartridges.

1. Turn the Occlusion Adjustment Knob (see Figure 5) counterclockwise to maximum open. This step is not necessary when the occlusion is set at the factory setting or if the occlusion has already been set appropriately during previous pumping.
2. Set the Tubing Retainer according to tubing size (see Figure 7A) when using the large Cartridge. (See Table 4.) No retainer adjustment is required when using the small Cartridge. (**Note:** The retainer button located on the Occlusion Adjustment Knob-side of the large Cartridge is a loose component and may fall out. To reassemble, push it back into place while pressing in the button.)
3. Select tubing and place in Cartridge (see Figure 7B). If using a Microbore Tubing Set (see Figure 6), place the Collar up against the Tubing Retainer (see Figure 7C) on both sides of the Cartridge.

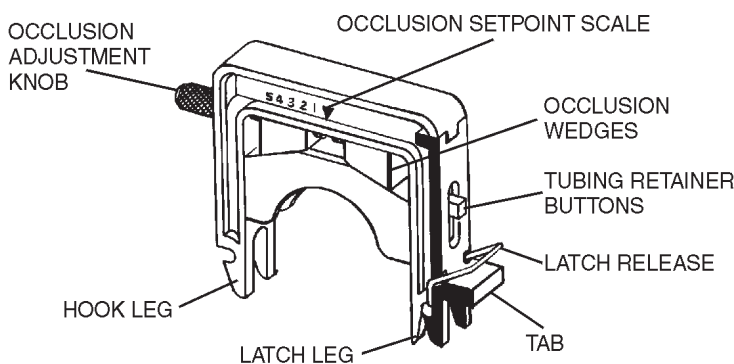


FIGURE 5 CARTRIDGE ASSEMBLY

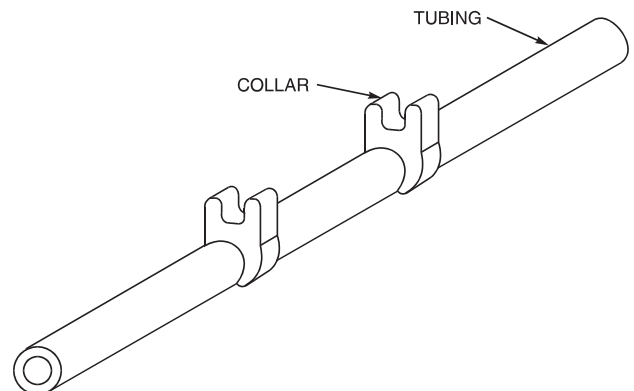


FIGURE 6 MICROBORE TUBING SET

4. Attach the Hook Leg of the Cartridge onto one of the Support Rods while holding the tubing between the Cartridge legs and against the Tubing Retainer (see Figure 7D).
5. Swing the Cartridge with the tubing over the rotor and push down on the Tab (see Figure 5) until the Latch snaps closed (see Figure 7E). **Note:** Depress the Cartridge as required in the location indicated in Figure 7E to facilitate latching and unlatching.
6. Lightly pull the tubing at the outlet and inlet to remove the slack when using continuous tubing. No slack removal is required when using a Microbore Tubing Set.
7. Adjust the occlusion setting (see OPERATION section). For a nominal setting with MASTERFLEX tubing, turn adjustment screw until inside edge of the wedge is aligned midway between #3 and #4 on the label.

(3) Cartridge Removal

Follow this procedure to unload the Cartridge.

1. Turn the Drive OFF.
2. Push down on latch side of Cartridge (see Figure 7E) and pull Latch Leg outward to unhook from rod. The Latch Release (see Figure 5) can be depressed to aid in this process as desired.
3. Pivot Cartridge upwards and unhook Hook Leg from rod and remove Cartridge.

(4) Bi-Directional Pumping

Fluids can be pumped into and back out of containers by reversing the drive. On drives that cannot be reversed, use longer tubing lengths and simply reverse the loaded Cartridge.

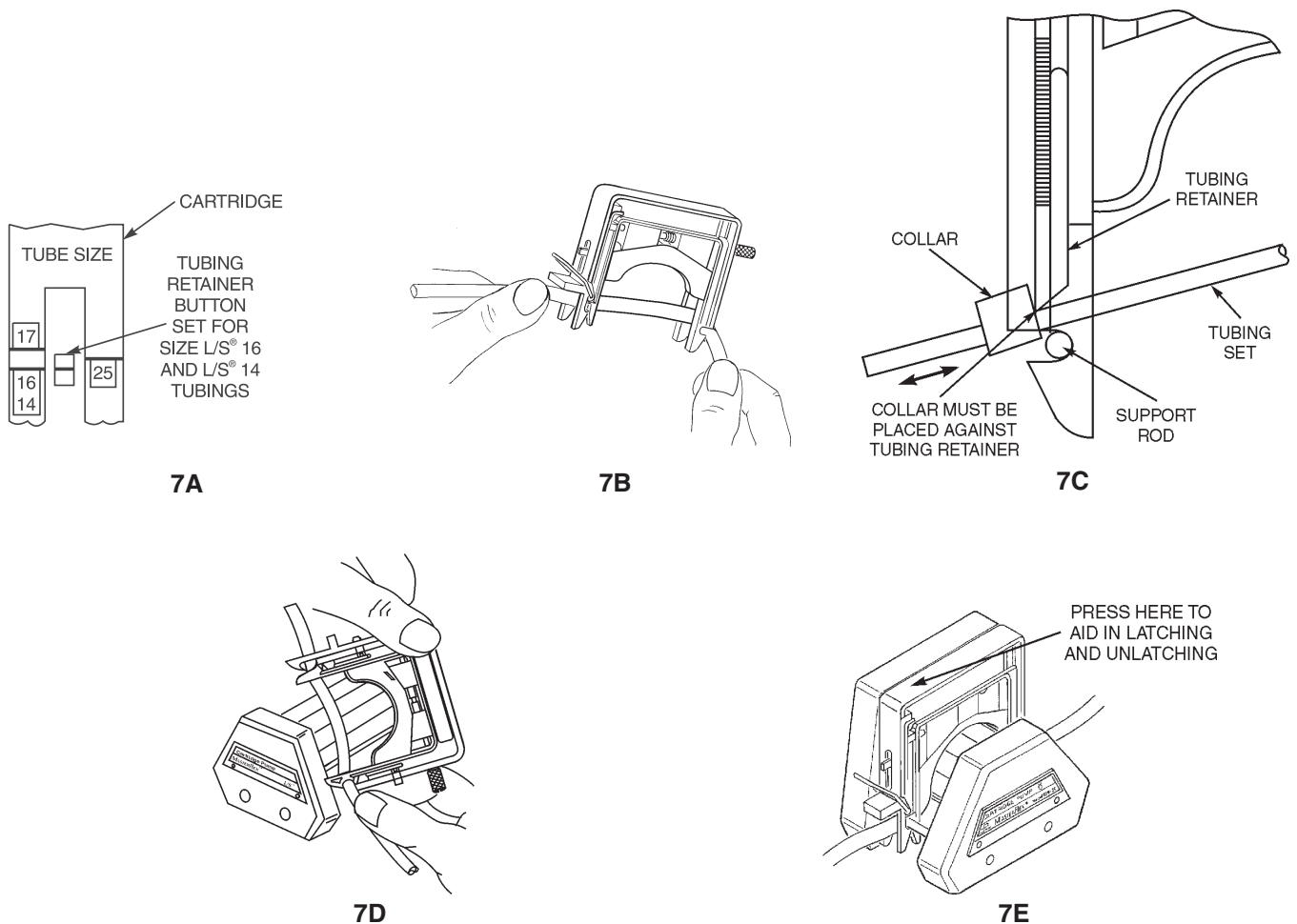


FIGURE 7 TUBING AND CARTRIDGE LOADING

(5) Partial Bank Pumping

The Pump can be operated with either a partial or a full bank of Cartridges. There is an elastic, FKM fluoroelastomer O-ring on each of the two metal rods of the pump (see Figure 8) that holds the Cartridges in place on the pump. These O-rings should be adjusted as follows. If the pump is partially loaded with Cartridges, slide the O-rings along the rods, up against the front of the outermost Cartridge, to keep it in place (note position A, for example, in Figure 8). If the pump is fully loaded with Cartridges, slide the O-rings to the front of the pump as far as possible (note position B in Figure 8). When using speed-reduced models (07519-15, -25) and the pump is less than half full of Cartridges, load the Cartridges into the front half of the pump so that the O-rings can be utilized.

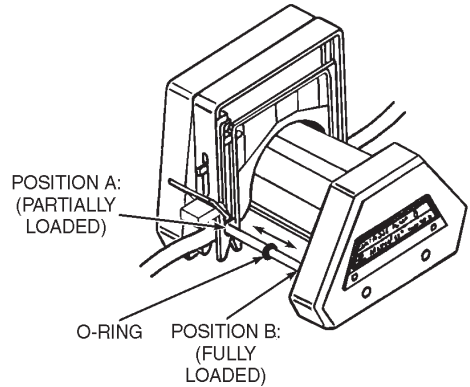


FIGURE 8 O-RING POSITION

OPERATION

This section describes the procedures for obtaining the desired performance.

(1) Relative Pulsation Rates

The relative pulsation rate in the pump output is dependent on several factors, including number of rollers on the pump rotor, cartridge size, and whether cartridges are paired.

Using the range of oscillation observed in a ball type flowmeter as a measure, approximate relative pulsation values for any given tubing size and flow rate are shown in the following chart. The chart is based on using a three-roller MASTERFLEX® L/S® pump as the benchmark with an arbitrary value of 10.

MASTERFLEX® L/S® Pump Type	Small Cartridge	Large Cartridge
6-Roller	4	4
8-Roller	3	—
6-Roller Paired Cartridges	1.5	>1
8-Roller Paired Cartridges	<1	—

(2) Select Tubing and Pump Heads

Use Tables 1, 2, and 3 to select the tubing, Cartridge, and Pump Head to provide the required single channel flow rate.

CAUTIONS: Use only tubing/cartridge/pump combinations defined by Tables 1, 2, and 3. Use of other combinations could cause malfunction or damage to the pump.



Operating the pumps at speeds in excess of 250 rpm may result in premature wear of the pump rollers and tubing.

TABLE 1 SMALL CARTRIDGE FLOW RATES—07519-85

Pump Head	Drive rpm	Pump rpm	Units	MICROBORE TUBING SET (mm ID)						MASTERFLEX® L/S® TUBING	
				.19	.25	.89	1.42	2.06	2.79	L/S® 13	L/S® 14
				FLOW RATES							
07519-25 8-Roller	1 600	.2 120	μL/min mL/min	.50 .30	1.0 .60	10 6.2	23 14	43 26	68 41	Not Compatible	
07519-15 6-Roller	1 600	.2 120	μL/min mL/min	Not Compatible						8.7 5.2	33 20
07519-20 8-Roller	1 250	1 250	μL/min mL/min	2.8 .70	5.2 1.3	52 13	120 29	220 54	340 85	Not Compatible	
07519-10 6-Roller	1 250	1 250	μL/min mL/min	Not Compatible						40 10	160 39

TABLE 2 LARGE CARTRIDGE FLOW RATES—07519-75

Pump Head	Drive rpm	Pump rpm	Units	MASTERFLEX® L/S® TUBING			
				L/S® 14	L/S® 16	L/S® 25	L/S® 17
				FLOW RATES			
07519-15 6-Roller	1 600	.2 120	μL/min mL/min	33 20	110 65	200 120	280 170
07519-10 6-Roller	1 250	1 250	μL/min mL/min	160 39	520 130	960 240	1400 350

- NOTES:** 1) Improper tubing stretch could result in reduced flow rate (see LOAD CARTRIDGE section).
 2) Models 07519-10 and 07519-20 operate at the same speed as the drive. Models 07519-15 and 07519-25 operate at 1/5 the speed of the drive.

TABLE 3 COMPATIBLE TUBING

Tubing Material	*MICROBORE TUBING SET (mm ID)			MASTERFLEX® L/S® TUBING	
	.19	.25	.89, 1.42, 2.06, 2.79	L/S® 13, 14, 16, 25	L/S® 17
Soft					
Silicone (platinum)			X	X	X
Silicone (peroxide)				X	X
TYGON® Silicone				X	X
C-FLEX® (50 A)				X	X
Stiff					
BPT (65)				X	
TYGON LFL				X	
NORPRENE® food (A 60 F)				X	
TYGON lab (R-3603)				X	
NORPRENE (A 60 G)				X	
TYGON fuel (F-4040-A)				X	
PVC	X	X	X		
FKM			X		
SANTOPRENE®		X	X		

*Use only specially designed MICROBORE TUBING SETS with Cartridges (Figure 6).

(3) Select Pump Speed

Select fixed speed drive or adjust speed of variable speed drive to provide desired nominal flow rate within the rotor rpm speed range shown for the pump model selected.

(4) Adjust Occlusion Settings on Cartridges

CAUTION: *Excessive occlusion can cause high pump temperatures and early tubing and roller failure. Do not set occlusion tighter than what is recommended in Table 4.*



NOTE: With large and small cartridges, the scale identified as “Mflex” provides nominal occlusion for MASTERFLEX® L/S® precision tubing at the #3 – #4 setting. With small cartridges only, the scale identified as “Micro” provides nominal occlusion for .9 mm (0.035 in) wall Microbore Tubing Sets at the #3 – #4 setting.

With a multi-channel cartridge system, flow rate, pressure sensitivity and tubing life can be fine-tuned—even while the pump is running. No lost time, and with operating speeds up to 600 rpm, you get higher maximum flows with the same size tubing.

Figure 9A (large and small cartridge) shows the wedges adjusted at #3 on the occlusion setpoint scale for the MASTERFLEX tubing.

Figure 9B (small cartridge only) shows the wedges adjusted at the #3 – #4 setting on the scale for the Microbore Tubing Sets.

The Occlusion Adjustment Knob, (see Figures 9A and 9B), controls a screw mechanism to move the occlusion wedges. Once a Cartridge is adjusted to a desired setting for a particular application, there is no need to reset. Or, you can record settings and quickly reproduce them at any later time.

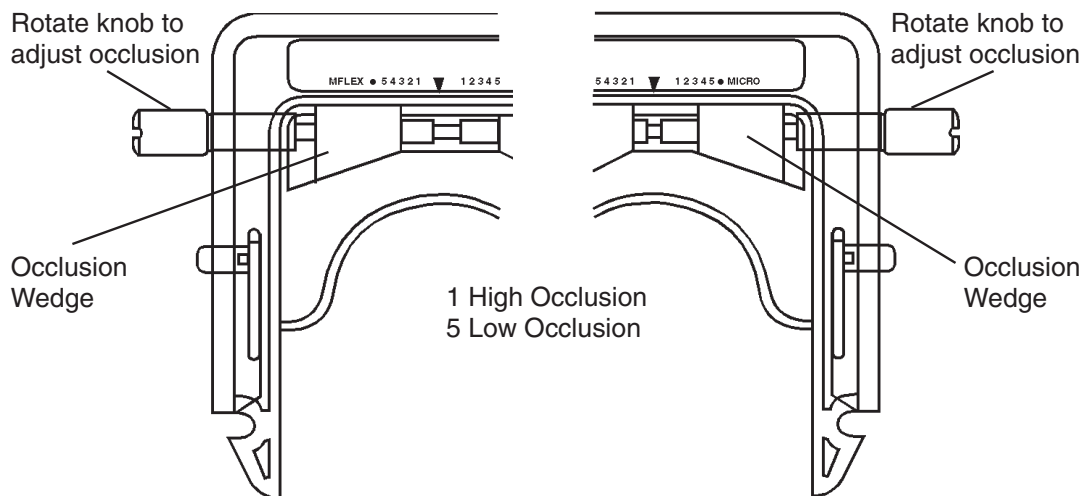


FIGURE 9A OCCLUSION INDICATIONS FOR THE MASTERFLEX TUBING

FIGURE 9B OCCLUSION INDICATIONS FOR THE MICROBORE TUBING SETS

(a) Normal Occlusion Settings

The following table shows the appropriate occlusion settings to provide satisfactory performance for various tubing sizes. (For optimum occlusion settings, see following section.)

TABLE 4 RECOMMENDED OCCLUSION SETTINGS

Tubing	Large Cartridge Mflex Scale	Small Cartridge	
		Mflex Scale	Micro Scale
Microbore Tubing Set	N/A	N/A	#3 Micro Scale
MASTERFLEX® L/S® Precision	#3 – #4 Mflex scale	#3 – #4 Mflex scale	N/A

(b) Occlusion Setting Procedure:

1. Select the recommended occlusion value from the table.
2. Turn the Occlusion Adjustment Knob to align the inside edge of the white Wedge with the scale number. (Clockwise rotation increases the occlusion.)

(c) Optimized Occlusion Settings

Some applications require additional fine-tuning of the occlusion setting to vary the flow rate for a particular tubing to reduce flow variations caused by changes in system pressure, or to increase tubing life.

1. Adjust the Occlusion Wedges as described in the preceding table.
2. Refine this setting, depending on your objectives:

NOTE: To Maximize Tubing Life

While running the pump, simply reduce the adjusted occlusion setting by turning the Occlusion Adjustment Knob counterclockwise to move the wedges to a higher setpoint scale number (toward 5). Continue turning the knob counterclockwise until the flow drop-off or the pressure sensitivity becomes unacceptable, then turn knob slightly clockwise.

NOTE: To Reduce or Eliminate Flow Drop-Off Rate with Pressure Fluctuations

While running the pump, alternate the backpressure between the expected high and low values and increase the adjusted occlusion setting. Turn the Occlusion Adjustment Knob clockwise to move the wedges to a lower setpoint scale number (toward 1) until the flow drop-off is minimized.

NOTE: To Fine-Adjust the Flow Rate

Increase or decrease the occlusion value to vary the flow.

(5) Pump Overloading

Models 07519-15 and 07519-25 have an auto-resetting limit clutch built in to protect the Pump and Drive in the event of excessive loading. When an overload occurs, the pump rotor will stop rotating and the clutch will emit an audible clatter.

The clutch capacity is sufficient to drive most combinations of tubing size and material at any pump speed with a full complement of channels operating. Some larger sizes of stiff tubings pumping through tight occlusion settings at higher speeds will cause an overload condition. This will limit the number of channels that can be run.

MAINTENANCE

No maintenance required. Wipe Pump with a clean cloth and a mild detergent. Never immerse or use excessive fluid.

Service Parts:

Hex Key (9/64 in Hex)

Models 07519-10 and 20:	A-3502
Models 07519-15 and 25:	A-4376

Mtg. Screws (8-32)

Models 07519-10 and 20:	B-1079-0407
Models 07519-15 and 25:	B-1079-0408

Leveling Feet

Models 07519-15 and 25 only:	A-4128-0002, (2 in)
	A-4128-0003, (1-1/4 in)
	A-4128-0004, (1-5/8 in)

SPECIFICATIONS

PUMP HEAD

Speed Range:	ROTOR	DRIVE
Models 07519-10 and 07519-20:	0–250 rpm	0–250 rpm
Models 07519-15 and 07519-25:	0–120 rpm	0–600 rpm
Operating Temperature Range:	0° to 40°C (32°F to 104°F)	
Storage Temperature Range:	–40°C to 60°C (40°F to 140°F)	
Noise level:	<70 dBA @ 1 meter	
Construction and Chemical Resistance:	Fiberglass-reinforced polysulfone housing; stainless steel rotor assembly with PTFE based plastic rollers, sealed stainless steel ball bearings, stainless steel structural parts and Buna N safety guard.	
Compliance:	EN809 (EU Machinery Directive)	

CARTRIDGES

Construction:	Durable polycarbonate frame with filled nylon and acetal components: filled polysulfone occlusion bed; anodized aluminum adjustment knob on stainless steel screw, FKM O-ring.
Dimensions:	
Large:	4 in H x 5 in W x 0.72 in Thick (102 mm x 127 mm x 18.3 mm)
Small:	4 in H x 5 in W x 0.36 in Thick (102 mm x 127 mm x 9.1 mm)

WARRANTY

Use only MASTERFLEX Precision Tubing and Microbore Tubing Sets with MASTERFLEX Pumps to ensure optimum performance. Use of other tubing may void applicable warranties.

The Manufacturer warrants this product to be free from significant deviations from published specifications. If repair or adjustment is necessary within the warranty period, the problem will be corrected at no charge if it is not due to misuse or abuse on your part as determined by the Manufacturer. Repair costs outside the warranty period, or those resulting from product misuse or abuse, may be invoiced to you.

The warranty period for this product is two (2) years from the date of purchase.

PRODUCT RETURN

To limit charges and delays, contact the seller or Manufacturer for authorization and shipping instructions before returning the product, either within or outside of the warranty period. When returning the product, please state the reason for the return. For your protection, pack the product carefully and insure it against possible damage or loss. Any damages resulting from improper packaging are your responsibility.

TECHNICAL ASSISTANCE

If you have any questions about the use of this product, contact the Manufacturer or authorized seller.

APPENDIX A
MASTERFLEX® L/S® PUMP DRIVE TYPES
FOR USE WITH CARTRIDGE PUMP SYSTEMS

Max rpm	Power (hp)	Torque oz-in	Drive Type
600	1/10	180	I
120	1/20	180	
600	1/20	90	II
100	1/10	360	III

NOTE: Check Max rpm and Power of the Drive or use the Torque rating to determine the Drive Type.

APPENDIX B
CARTRIDGE LOADING CAPACITY

Model 07519-20 (8-Roller, No Speed Reduction)

Microbore Tubing Set		Max. # of Cart. Drive Type		
		I	II	III
.19, .25 mm dia.	Soft	4	4	4
	Stiff	4	4	4
.89 mm dia.	Soft	4	4	4
	Stiff	4	3	4
1.42, 2.06 mm dia.	Soft	4	4	4
	Stiff	4	2	4
2.79 mm dia.	Soft	4	2	4
	Stiff	3	1	4

Model 07519-10 (6-Roller, No Speed Reduction)

MASTERFLEX® L/S® Tubing		Drive Type		
		I	II	III
13	Soft	4	4	4
	Stiff	4	3	4
14	Soft	4	4	4
	Stiff	4	2	4
16	Soft	2	2	2
	Stiff	2	2	2
25	Soft	2	1	2
	Stiff	2	1	2
17	Soft	2	1	2

Model 07519-25 (8-Roller, 5:1 Speed Reduction)

Microbore Tubing Set	Max. # of Cart. All Drives
.19, .25, .89, 1.42 mm dia.	Soft 12 Stiff 12
2.06 mm dia.	Soft 12 Stiff 10
2.79 mm dia.	Soft 12 Stiff 7

Model 07519-15 (6-Roller, 5:1 Speed Reduction)

MASTERFLEX® L/S® Tubing		All Drives
13	Soft	12
	Stiff	12
14	Soft	12
	Stiff	10
16	Soft	6
	Stiff	6
25	Soft	6
	Stiff	4
17	Soft	4

NOTE: See Tables 1, 2, and 3 for cartridge/tubing/pump compatibility.

TABLE DES MATIÈRES

Intitulé	Page
MESURES DE SÉCURITÉ	15
INTRODUCTION	16
(1) Applications	16
(2) Description générale	16
INSTALLATION	17
PRÉPARATION	18
(1) Sélection des cartouches	18
(2) Mise en place des cartouches	18
(3) Retrait d'une cartouche	20
(4) Pompage bidirectionnel	20
(5) Pompage avec bloc partiel de cartouches	21
FONCTIONNEMENT	21
(1) Fréquences de pulsations relatives	21
(2) Sélection des tubes et des têtes de pompes	22
(3) Sélection de la vitesse de pompe	23
(4) Ajustement des réglages d'occlusion sur les cartouches	23
(5) Surcharge de la pompe	24
ENTRETIEN	24
Pièces de rechange	24
CARACTÉRISTIQUES TECHNIQUES	25
GARANTIE	25
RETOUR DE MARCHANDISES	25
ASSISTANCE TECHNIQUE	25
ANNEXE A : Types d'entraînements de pompes MASTERFLEX® L/S®	26
ANNEXE B : Capacité en cartouches	26

POMPE POUR LIQUIDES

C-FLEX, PHARMED, NORPRENE et TYGON sont des marques déposées de Saint-Gobain Performance Plastics Corp.

SANTOPRENE est une marque déposée de Exxon Mobil

Les marques accompagnées du symbole ® qui sont mentionnées dans la présente publication sont déposées aux États-Unis et dans d'autres pays.

US & Canada only

Toll Free 1-800-MASTERFLEX | 1-800-637-3739

Outside US & Canada

1-847-549-7600 | 1-847-381-7050

*EN809 manufactured by:

Cole-Parmer Instrument Company

28W092 Commercial Avenue, Barrington, IL 60010

techinfo@masterflex.com | www.masterflex.com

MESURES DE SÉCURITÉ

AVERTISSEMENTS : *La rupture d'un tube peut entraîner une pulvérisation de liquide refoulé par la pompe. Prendre des mesures appropriées pour protéger l'opérateur et les appareils.*



Mettre l'entraînement hors tension avant de retirer ou de mettre en place des cartouches. Des dispositifs de protection sont prévus pour minimiser les risques de pincement des doigts entre le mécanisme à rouleaux et la base du module. Toutefois, être prudent : ne pas approcher les doigts de ces endroits.

CONSEILS DE PRUDENCE :



Une occlusion excessive peut entraîner une surchauffe de la pompe, ainsi qu'une défaillance prématurée des tubes et des rouleaux. Ne pas dépasser l'occlusion recommandée au Tableau n° 4.

Utiliser uniquement les combinaisons tubes/cartouches/pompes définies aux Tableaux 1, 2 et 3. L'utilisation d'autres combinaisons risque d'entraîner un mauvais fonctionnement de la pompe ou d'endommager cette dernière.

L'utilisation des pompes à des vitesses supérieures à 250 tr/mn peut entraîner une usure prématurée des rouleaux des pompes et de la tubulure.

Explication des symboles

ATTENTION :



Risque de danger. Consulter le manuel de l'opérateur pour vérifier la nature des risque et prendre les mesures correctives.

ATTENTION :



Risque d'écrasement. Eloigner les doigts du rotor lorsque la pompe fonctionne. Arrêter la pompe avant le chargement ou le déchargement du tubage.



AVERTISSEMENT : LIMITES D'UTILISATION DES PRODUITS

Ces produits ne sont pas conçus pour, ni destinés à, être utilisés dans des applications avec patients, y compris entre autres les applications médicales et dentaires, et n'ont par conséquent pas été soumis à l'agrément de la FDA.

INTRODUCTION

Les instructions données dans la présente notice sont orientées vers les tâches, ce qui en facilite la consultation. Il est possible de consulter directement une section particulière et d'obtenir rapidement les réponses aux questions que l'on se pose. Les Annexes A et B indiquent les types d'entraînements de pompes MASTERFLEX® L/S® compatibles avec ce système.

Têtes de pompes

MODÈLE	TYPE
Modèle 07519-10	6 rouleaux, 2 grands ou 4 petits canaux, sans démultiplication
Modèle 07519-20	8 rouleaux, 2 grands ou 4 petits canaux, sans démultiplication
Modèle 07519-15	6 rouleaux, 6 grands ou 12 petits canaux, avec démultiplication de 5:1
Modèle 07519-25	8 rouleaux, 6 grands ou 12 petits canaux, avec démultiplication de 5:1

Cartouches

MODÈLE	TYPE
Modèle 07519-75	Épaisse
Modèle 07519-85	Mince

Ces pompes à cartouches sont conçues pour offrir jusqu'à 12 canaux de pompage activés simultanément et un débit pratiquement sans pulsation. En outre, ces systèmes de pompage présentent les caractéristiques suivantes.

- Rapport de démultiplication de 5:1 sur les modèles 07519-15 et 07519-25, permettant d'obtenir des débits extrêmement faibles.
- Capacité de 12 cartouches pour les modèles 07519-15 et 07519-25, permettant une distribution simultanée dans 12 récipients individuels avec un seul cycle de préparation et de pompage.
- Conceptions à six et huit rouleaux permettant de réduire la pulsation.
- Élimination de la « contre-aspiration » et réduction importante de la pulsation par jumelage de cartouches à occlusion décalée.
- Rouleaux à faible friction permettant de minimiser l'usure par frottement des tubes.
- Embrayage limiteur à réinitialisation automatique incorporé permettant de protéger la pompe et l'entraînement en cas de surcharge excessive sur les modèles 07519-15 et 07519-25.

(1) Applications

Les systèmes de pompage à cassettes à six ou huit rouleaux sont conçus pour les applications multicanaux dans lesquelles une pulsation réduite et/ou un contrôle fin de l'occlusion de différents débits très faibles sont nécessaires. Les tubes indiqués sur le Tableau 3 peuvent être utilisés pour permettre d'obtenir un débit de 0,6 µl à 350 ml/mn.

(2) Description générale

Chaque système de tête de pompe (voir Figure 1) se compose d'une tête de pompe à plusieurs rouleaux et de deux tailles de cartouches à tubes emboîtables dont chacune offre un réglage individuel d'occlusion. La conception à occlusion par « coins » permet une régulation précise et plus stable du débit.

Les têtes de pompes comportent six ou huit rouleaux. Tous les modèles peuvent fonctionner avec divers tubes. Les modèles à six rouleaux sont compatibles avec la cartouche épaisse et les tubes MASTERFLEX® L/S® à paroi mince et ceux à huit rouleaux sont compatibles avec la cartouche mince et les kits de tubes Microbore à paroi de 0,9 mm (voir les Tableaux 1, 2 et 3).

Les systèmes de têtes de pompes comportent un canal d'occlusion décentré qui permet de raccorder l'une à l'autre deux cartouches à montage en sens inverse pour obtenir un débit pratiquement sans pulsation ni contre-aspiration.

Les têtes de pompes à six et huit rouleaux sont disponibles en deux tailles. Les têtes de pompes courtes peuvent recevoir jusqu'à 2 cartouches épaisses ou 4 cartouches minces et fonctionnent à la même vitesse que l'entraînement. Les têtes de pompes longues peuvent recevoir jusqu'à 6 cartouches épaisses ou 12 cartouches minces et fonctionnent à un cinquième de la vitesse de l'entraînement.

Les modèles 07519-15 et 07519-25 sont équipés d'un embrayage limiteur à réinitialisation automatique incorporé pour protéger la pompe et l'entraînement en cas de surcharge excessive. Lorsqu'une telle surcharge se produit, l'embrayage émet un cliquetis audible pour indiquer que le rotor de la pompe ne tourne pas.

La tête de pompe s'accouple rapidement à la plupart des types existants d'entraînements de pompes MASTERFLEX® L/S® (voir les Annexes A et B).

MODÈLES 07519-15 ET 07519-25

MODÈLES 07519-10 ET 07519-20

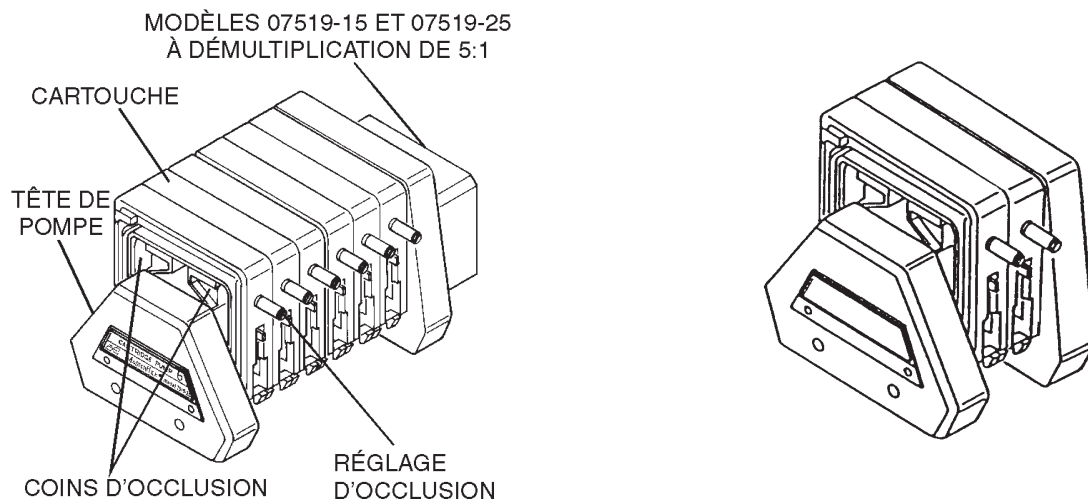


FIGURE 1 TÊTES DE POMPES À CARTOUCHES

INSTALLATION

Outillage nécessaire : clé mâle longue (fournie)

Accoupler la tête de pompe à un entraînement de pompe MASTERFLEX® L/S® en procédant comme suit :

1. Accoupler la pompe à l'entraînement en alignant la queue de la tête de pompe (voir Figure 2) et la fente de l'arbre moteur.

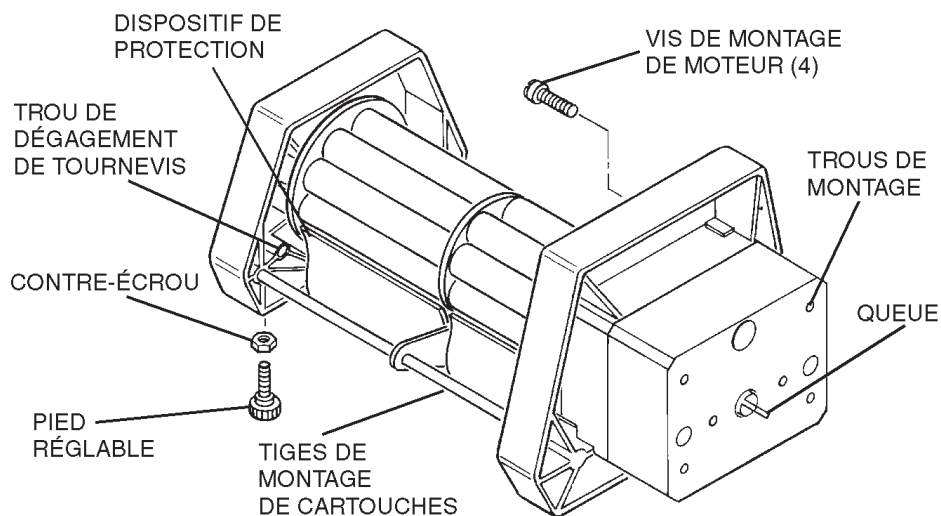


FIGURE 2 MONTAGE DE LA POMPE

2. Fixer la tête de pompe à l'entraînement au moyen de quatre vis (fournies) à l'aide d'une clé mâle longue (elle aussi fournie).
3. S'il s'avère nécessaire de soutenir la tête de pompe, poser une vis de support de la longueur correcte avec pied en plastique et contre-écrou (fournis tous les trois). Mettre la tête de pompe à niveau avec l'entraînement en réglant le pied. Serrer le contre-écrou contre le dessous du corps de la pompe.

PRÉPARATION

Les deux tailles de cartouches (18,29 et 9,14 mm d'épaisseur) (voir la Figure 3) s'adaptent à une vaste gamme de diamètres de tubes comme indiqué sur les Tableaux 1 et 2.

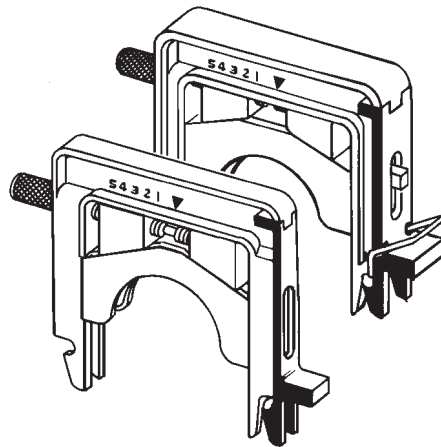


FIGURE 3 CARTOUCHES MINCES ET ÉPAISSES

(1) Sélection des cartouches

REMARQUE : ces têtes de pompes sont conçues pour fonctionner avec les cartouches 07519-75 et 07519-85. Ne pas utiliser des cartouches 07519-70 ou 07519-80, car elles sont conçues pour des têtes de pompes différentes.

Suivant la tête de pompe utilisée, il est possible d'associer à cette dernière jusqu'à 6 cartouches épaisses ou 12 cartouches minces. Cette capacité est toutefois limitée par la puissance de l'entraînement et la charge de la pompe. Le tableau de l'Annexe B indique les capacités en cartouches en fonction du diamètre des tubes et du type d'entraînement (voir l'Annexe A pour une description des types d'entraînements) permettant d'obtenir le débit maximum à 0 kPa. Il est possible d'utiliser des cartouches des six tailles tant que la charge totale ne dépasse pas la capacité de l'entraînement.

La cartouche mince est conçue pour fonctionner avec les tubes de précision MASTERFLEX® des calibres L/S® 13 et L/S® 14 dans l'une ou l'autre des têtes de pompes à six rouleaux et est également compatible avec des kits de tubes Microbore spécialement conçus (à paroi de 0,9 mm) lorsqu'elle est utilisée dans l'une des têtes de pompes à huit rouleaux.

La cartouche épaisse est conçue pour fonctionner avec les tubes de précision MASTERFLEX® des calibres L/S® 14, L/S® 16, L/S® 25 et L/S® 17 dans l'une ou l'autre des têtes de pompes à six rouleaux.

N'utiliser que des kits de tubes de précision MASTERFLEX et de tubes Microbore avec les pompes MASTERFLEX pour garantir des performances optimales. L'utilisation d'autres tubes peut annuler les garanties applicables.

(2) Mise en place des cartouches

Les surfaces d'occlusion des cartouches sont positionnées asymétriquement autour de l'ensemble de rouleaux de la pompe (voir Figure 3). Il se peut donc que l'orientation sur la tête de pompe soit importante pour certaines applications.

Pour obtenir des pulsations synchronisées parallèles et des « coussins » de liquide dans tous les canaux, orienter les cartouches dans le même sens.

Pour obtenir un débit pratiquement sans pulsation, mettre les cartouches en place dans des sens alternés et raccorder ensemble des longueurs égales de tubes venant du côté refoulement de deux cartouches alternées par l'intermédiaire d'un raccord en Y comme indiqué (voir Figure 4). La conception asymétrique des cartouches permet d'obtenir des pulsations imbriquées dans les deux tubes agissant pour supprimer presque complètement la pulsation dans le canal de débit combiné.

REMARQUE : le débit combiné est supérieur à celui d'un seul canal pour tout diamètre de tube et vitesse de pompe donné.

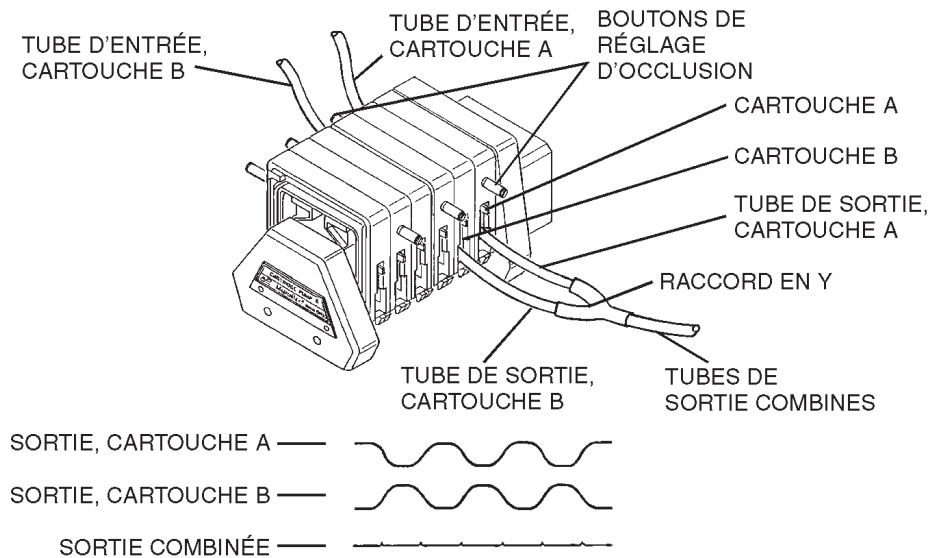


FIGURE 4 RACCORDEMENT À RÉDUCTION DE PULSATION

AVERTISSEMENT : *La rupture de tubulure risque d'entraîner la pulvérisation de liquide par la pompe. Prendre des mesures appropriées pour protéger l'opérateur et le matériel.*



Mettre l'entraînement hors tension avant de retirer ou de mettre en place des cartouches. Des dispositifs de protection sont prévus pour minimiser les risques de pincement des doigts entre le mécanisme à rouleaux et la base du module. Toutefois, être prudent : ne pas approcher les doigts de ces endroits.

ATTENTION :



Utiliser uniquement les combinaisons tubes/cartouches/pompes définies aux Tableaux 1, 2 et 3. L'utilisation d'autres combinaisons risque d'entraîner un mauvais fonctionnement de la pompe ou d'endommager cette dernière.

L'entraînement étant arrêté, procéder comme suit pour mettre les cartouches en place.

1. Tourner le bouton de réglage d'occlusion (voir la Figure 5) dans le sens antihoraire jusqu'à la position d'ouverture maximum. Cette opération n'est pas nécessaire lorsque le réglage d'occlusion effectué à l'usine est conservé ou si l'occlusion a déjà été réglée correctement lors du pompage précédent.
2. Régler le dispositif de retenue de tube en fonction du diamètre de ce dernier (voir la Figure 7A) en cas d'utilisation de la cartouche épaisse. (Voir Tableau 4.) Aucun réglage de ce type n'est nécessaire en cas d'utilisation de la cartouche mince. (**Remarque :** le bouton de dispositif de retenue qui se trouve du côté bouton de réglage d'occlusion de la cartouche épaisse n'est pas assujéti et risque de tomber. Pour le remonter, le réenfoncer en place tout en appuyant dessus.)
3. Sélectionner le tube et le placer dans la cartouche (voir la Figure 7B). En cas d'utilisation d'un tube Microbore (voir la Figure 6), placer le collier contre le dispositif de retenue de tube (voir la Figure 7C) de chaque côté de la cartouche.

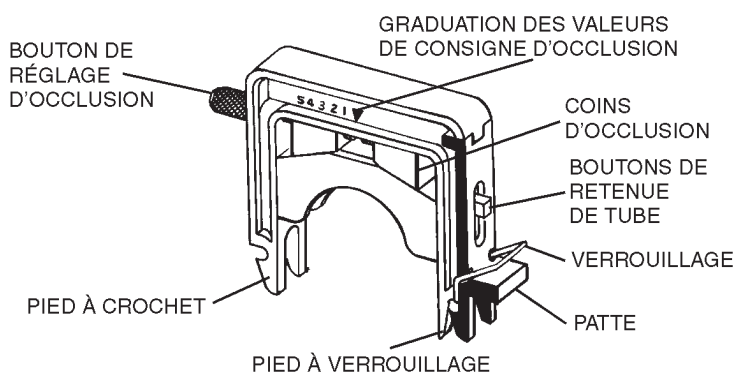


FIGURE 5 CARTOUCHE DÉVERROUILLAGE

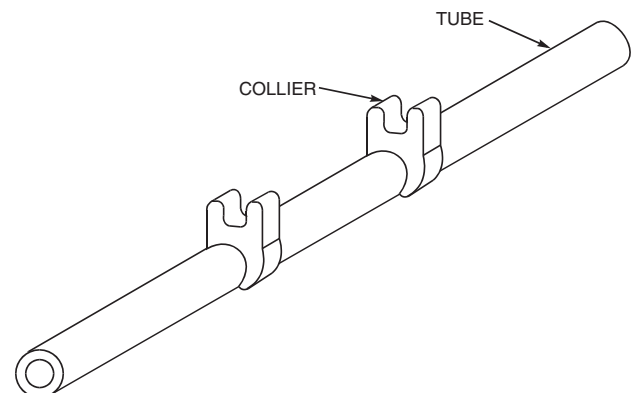


FIGURE 6 TUBE MICROBORE

4. Accrocher le pied à crochet de la cartouche sur l'une des tiges de support tout en maintenant le tube entre les jambes de la cartouche et contre le dispositif de retenue de tube (voir la Figure 7D).
5. Faire pivoter la cartouche et le tube par-dessus le rotor et appuyer sur la patte (voir la Figure 5) jusqu'à ce que le verrouillage s'enclenche. (Voir la Figure 7E.) **Remarque** : appuyer sur la cartouche selon le besoin à l'emplacement indiqué sur la Figure 7E pour faciliter le verrouillage et le déverrouillage.
6. Tirer légèrement sur le tube à la sortie et à l'entrée pour le tendre en cas d'utilisation d'une tubulure continue. Il n'est pas nécessaire de tendre le tube s'il s'agit d'un kit Microbore.
7. Ajuster le réglage d'occlusion (voir la section FONCTIONNEMENT). Pour obtenir le débit nominal en cas d'utilisation de tube MASTERFLEX, tourner la vis de réglage jusqu'à ce que le bord intérieur du coin soit aligné à mi-distance entre les chiffres 3 et 4 de la graduation.

(3) Retrait d'une cartouche

Procéder comme suit pour déboîter la cartouche.

1. Mettre l'entraînement hors tension.
2. Appuyer sur le côté verrouillage de la cartouche (voir la Figure 7E) et tirer le pied à verrouillage vers l'extérieur pour le décrocher de la tige. Il est possible d'appuyer sur le déverrouillage (voir la Figure 5) pour faciliter cette opération le cas échéant.
3. Faire pivoter la cartouche vers le haut, puis décrocher le pied à crochet de la tige et retirer la cartouche.

(4) Pompage bidirectionnel

Il est possible de pomper des liquides dans des récipients et hors de ceux-ci en inversant le sens de marche de l'entraînement. Si le sens de marche de l'entraînement ne peut être inversé, utiliser des sections de tube plus longues et retourner simplement la cartouche en place.

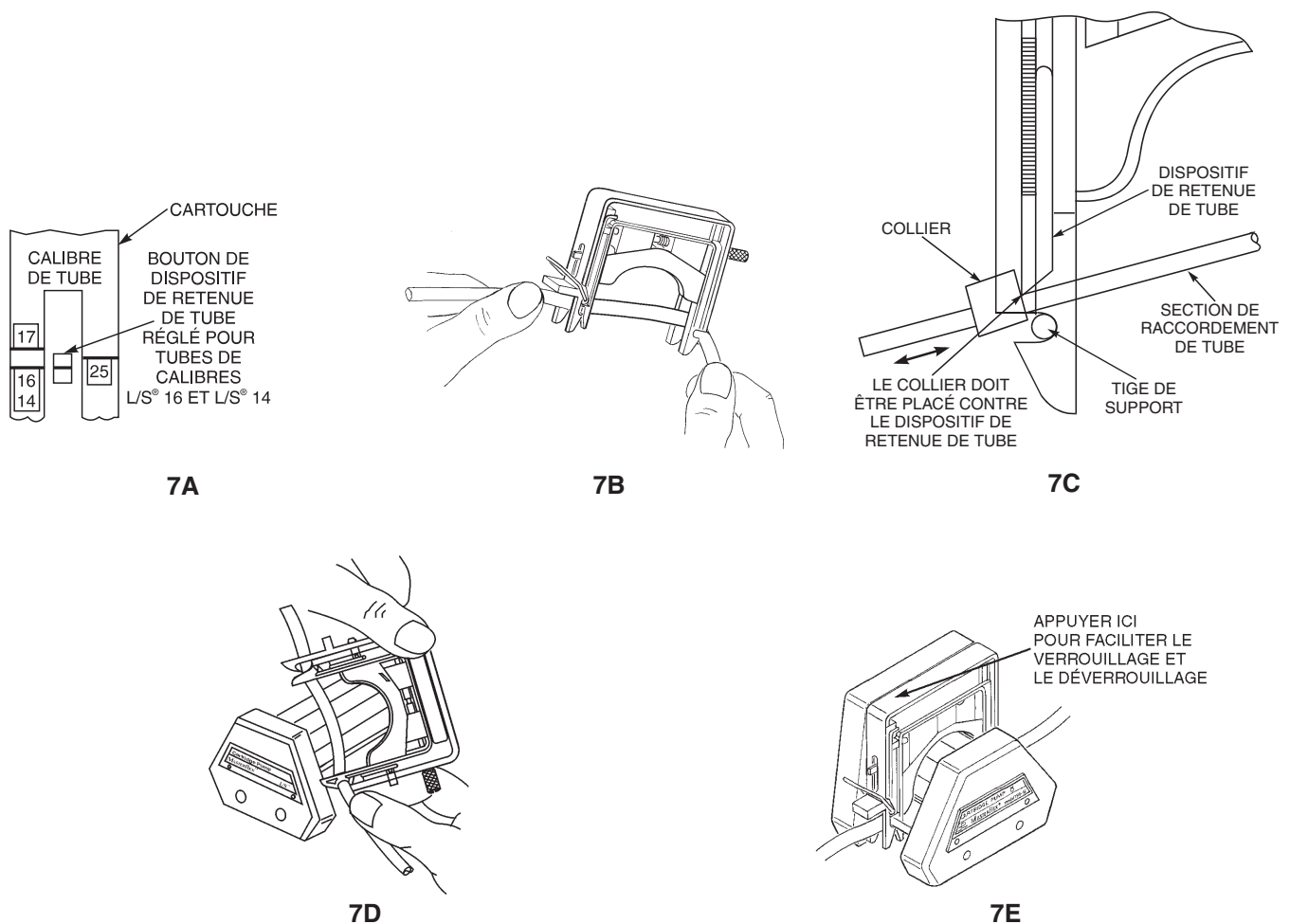


FIGURE 7 MISE EN PLACE DU TUBE ET D'UNE CARTOUCHE

(5) Pompage avec bloc partiel de cartouches

La pompe peut fonctionner avec un bloc partiel ou complet de cartouches. Un joint torique élastique en fluoroélastomère FKM est posé sur chacune des deux tiges métalliques de la pompe (voir la Figure 8) maintenant les cartouches en place sur cette dernière. Ces joints toriques doivent être ajustés comme suit. Si un bloc partiel de cartouches est monté sur la pompe, faire glisser les joints toriques le long des tiges, jusqu'à ce qu'ils soient contre le devant de la cartouche le plus à l'extérieur pour la maintenir en place (noter la position A, par exemple sur la Figure 8). Si par contre un bloc complet de cartouches est monté sur la pompe, faire glisser les joints toriques aussi loin que possible vers le devant de la pompe (noter la position B sur la Figure 8). En cas d'utilisation de modèles à démultiplication (07519-15, -25) et lorsque moins de la moitié des cartouches sont montées sur la pompe, monter les cartouches dans la moitié avant de la pompe de façon à pouvoir utiliser les joints toriques.

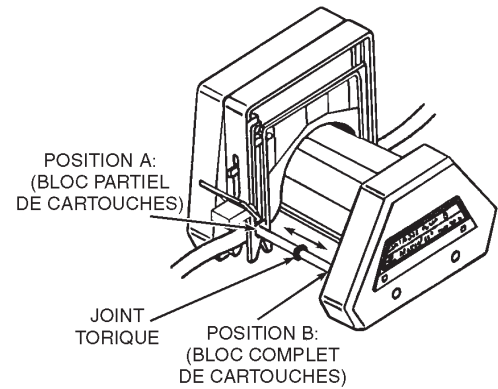


FIGURE 8 POSITION DE JOINT TORIQUE

FONCTIONNEMENT

Cette section décrit la façon de procéder pour obtenir les performances désirées.

(1) Fréquences de pulsations relatives

La fréquence de pulsation relative de sortie de la pompe dépend de différents facteurs, y compris le nombre de rouleaux du rotor de la pompe, la taille des cartouches et le possible jumelage de ces dernières.

Des valeurs de pulsation relative approximatives pour tout calibre de tube et débit donnés déterminées par référence à l'amplitude d'oscillation observée dans un débitmètre à bille sont indiquées sur le tableau ci-dessous. Celui-ci est basé sur l'utilisation comme référence d'une pompe MASTERFLEX® L/S® à trois rouleaux à laquelle est affectée arbitrairement une valeur de 10.

Type de pompe MASTERFLEX® L/S®	Cartouche mince	Cartouche épaisse
6 rouleaux	4	4
8 rouleaux	3	—
6 rouleaux avec cartouches en paires	1.5	>1
8 rouleaux avec cartouches en paires	<1	—

(2) Sélection des tubes et des têtes de pompes

Se servir des Tableaux 1, 2 et 3 pour sélectionner les tubes, la cartouche et la tête de pompe permettant d'obtenir le débit nécessaire dans un canal individuel.

CONSEILS DE PRUDENCE :



Utiliser uniquement les combinaisons tubes/cartouches/pompes définies aux Tableaux 1, 2 et 3. L'utilisation d'autres combinaisons risque d'entraîner un mauvais fonctionnement de la pompe ou d'endommager cette dernière.

L'utilisation des pompes à des vitesses supérieures à 250 tr/mn peut entraîner une usure prématurée des rouleaux des pompes et de la tubulure.

TABLEAU 1 DÉBIT DES CARTOUCHES MINCES—07519-85

Tête de pompe	Vitesse d'entraînement tr/mn	Pompe tr/mn	Unités	TUBES MICROBORE (diam. int., mm)						TUBES MASTERFLEX® L/S®	
				0,19	0,25	0,89	1,42	2,06	2,79	L/S® 13	L/S® 14
				DÉBITS							
07519-25 8 rouleaux	1 600	0,2 120	µl/min ml/min	0,50 0,30	1,0 0,60	10 6,2	23 14	43 26	68 41	Non compatible	
07519-15 6 rouleaux	1 600	0,2 120	µl/min ml/min	Non compatible						8,7 5,2	33 20
07519-20 8 rouleaux	1 250	1 250	µl/min ml/min	2,8 0,70	5,2 1,3	52 13	120 29	220 54	340 85	Non compatible	
07519-10 6 rouleaux	1 250	1 250	µl/min ml/min	Non compatible						40 10	160 39

TABLEAU 2 DÉBIT DES CARTOUCHES ÉPAISSES—07519-75

Tête de pompe	Vitesse d'entraînement tr/mn	Pompe tr/mn	Unités	TUBES MASTERFLEX® L/S®			
				L/S® 14	L/S® 16	L/S® 25	L/S® 17
				DÉBITS			
07519-15 6 rouleaux	1 600	0,2 120	µl/min ml/min	33 20	110 65	200 120	280 170
07519-10 6 rouleaux	1 250	1 250	µl/min ml/min	160 39	520 130	960 240	1400 350

REMARQUES : 1) Un allongement incorrect des tubes risque d'entraîner une réduction du débit (voir la section MISE EN PLACE DES CARTOUCHES).

2) Les modèles 07519-10 et 07519-20 fonctionnent à la même vitesse que l'entraînement. Les modèles 07519-15 et 07519-25 le font à 1/5 de la vitesse de l'entraînement.

TABLEAU 3 TUBES COMPATIBLES

Matière dont sont fabriqués les tubes	*KIT DE TUBES MICROBORE (diam. int., mm)			TUBES MASTERFLEX® L/S®	
	0,19	0,25	0,89 ; 1,42 ; 2,06 ; 2,79	L/S® 13, 14, 16, 25	L/S® 17
Souples					
Silicone (platine)			X	X	X
Silicone (péroxyde)				X	X
Silicone TYGON®				X	X
C-FLEX® (50 A)				X	X
Rigides					
BPT				X	
TYGON LFL				X	
NORPRENE® pour produits alimentaires (A 60 F)				X	
TYGON pour laboratoire (R-3603)				X	
NORPRENE (A 60 G)				X	
TYGON pour carburant (F-4040-A)				X	
PVC	X	X	X		
FKM			X		
SANTOPRENE®		X	X		

*N'utiliser que des KITS DE TUBES MICROBORE conçus spécialement pour être compatibles avec les cartouches (Figure 6).

(3) Sélection de la vitesse de pompe

Pour obtenir le débit nominal désiré, choisir un entraînement à vitesse fixe ou régler la vitesse d'un entraînement à vitesse variable dans les limites de la plage de vitesse indiquée pour le modèle de pompe sélectionné.

(4) Ajustement des réglages d'occlusion sur les cartouches

ATTENTION : Une occlusion excessive peut entraîner une surchauffe de la pompe, ainsi qu'une défaillance prématurée des tubes et des rouleaux. Ne pas dépasser l'occlusion recommandée au Tableau n° 4.



REMARQUE : dans le cas des cartouches épaisses et minces, la graduation identifiée par l'indication « Mflex » permet d'obtenir l'occlusion nominale pour les tubes de précision MASTERFLEX® L/S® entre les positions 3 et 4. Dans le cas des cartouches minces uniquement, la graduation identifiée par l'indication « Micro » permet d'obtenir l'occlusion nominale pour les kits de tubes Microbore à paroi de 0,9 mm entre les positions 3 et 4.

Dans le cas d'un système multicanaux à cartouches, le débit, la sensibilité à la pression et la durabilité des tubes peuvent être réglés avec précision, même lorsque la pompe est en marche. Il n'y a aucune perte de temps et, grâce à des vitesses de fonctionnement allant jusqu'à 600 tr/mn, il est possible d'obtenir des débits maxima supérieurs avec des tubes du même diamètre.

La Figure 9A (cartouches épaisses et minces) représente les coins réglés à la position 3 de la graduation des valeurs de consigne d'occlusion pour les tubes MASTERFLEX.

La Figure 9B (cartouche mince uniquement) illustre le positionnement des coins entre les positions 3 et 4 de la graduation utilisée pour les kits de tubes Microbore.

Le bouton de réglage d'occlusion (voir les Figures 9A et 9B) commande un mécanisme à vis pour déplacer les coins d'occlusion. Une fois qu'une cartouche est ajustée à un réglage désiré pour une application particulière, aucune réinitialisation n'est nécessaire. Il est également possible de noter les réglages et de les reproduire plus tard.

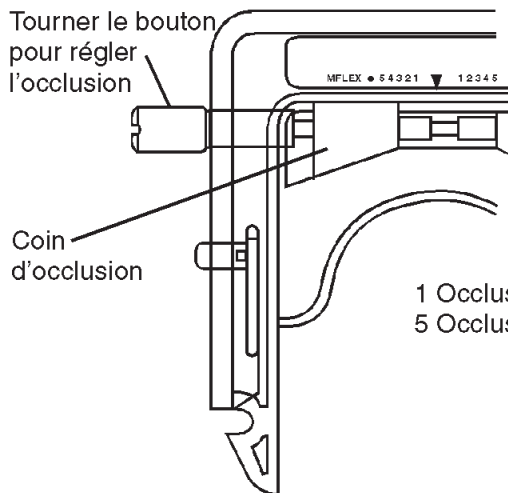


FIGURE 9A INDICATIONS D'OCCLUSION POUR LES TUBES MASTERFLEX

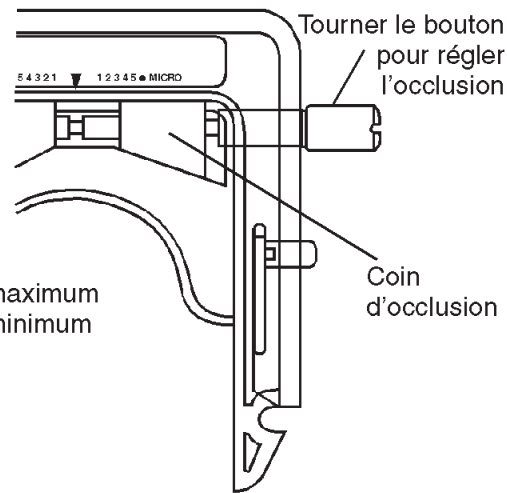


FIGURE 9B INDICATIONS D'OCCLUSION POUR LES KITS DE TUBES MICROBORE

(a) Réglages d'occlusion normale

Le tableau ci-dessous indique les réglages d'occlusion permettant d'obtenir des performances satisfaisantes pour différents diamètres de tubes. (Pour les réglages d'occlusion optima, voir la section qui suit.)

TABLEAU 4 RÉGLAGES D'OCCLUSION RECOMMANDÉS

Tubes	Graduation Mflex de la cartouche épaisse	Cartouche mince	
		Graduation Mflex	Graduation Micro
Kit de tubes Microbore	Néant	Néant	3, Graduation Micro
Tubes de précision MASTERFLEX® L/S®	3 – 4 Graduation Mflex	3 – 4 Graduation Mflex	Néant

(b) Réglage de l'occlusion

1. Sélectionner la valeur d'occlusion recommandée en se reportant au tableau.
2. Tourner le bouton de réglage d'occlusion pour aligner le bord intérieur du coin blanc et le chiffre correct de la graduation. (Sa rotation dans le sens horaire augmente l'occlusion.)

(c) Réglage de l'occlusion optimisée

Certaines applications exigent un réglage supplémentaire de précision de l'occlusion afin de faire varier le débit pour un tube particulier, de réduire les variations de débit dues à des changements de la pression du circuit ou de prolonger la durabilité des tubes.

1. Régler les coins d'occlusion comme indiqué sur le tableau qui précède.
2. Affiner ce réglage en fonction des objectifs :

Pour maximiser la durabilité des tubes

Tout en faisant fonctionner la pompe, réduire simplement l'occlusion sélectionnée en tournant le bouton de réglage d'occlusion dans le sens antihoraire pour déplacer les coins jusqu'à une position correspondant à une valeur de consigne plus élevée sur la graduation (vers 5). Continuer à tourner le bouton dans le sens antihoraire jusqu'à ce que la baisse de débit ou la sensibilité à la pression devienne inacceptable, puis le tourner légèrement dans le sens horaire.

Pour réduire ou éliminer le taux de baisse du débit accompagnant les fluctuations de pression

Tout en faisant fonctionner la pompe, faire alterner la contre-pression entre les valeurs maximum et minimum prévues et augmenter l'occlusion sélectionnée. Tourner le bouton de réglage d'occlusion dans le sens horaire pour déplacer les coins jusqu'à une position correspondant à une valeur de consigne inférieure sur la graduation (vers 1) jusqu'à ce que la baisse de débit soit minimisée.

Pour régler le débit avec précision

Augmenter ou diminuer l'occlusion pour faire varier le débit.

(5) Surcharge de la pompe

Les modèles 07519-15 et 07519-25 sont équipés d'un embrayage limiteur à réinitialisation automatique incorporé pour protéger la pompe et l'entraînement en cas de charge excessive. Lorsqu'une surcharge se produit, le rotor de la pompe s'arrête de tourner et l'embrayage émet un cliquetis audible.

La capacité de l'embrayage est suffisante pour piloter la plupart des combinaisons de calibres et matériaux de tubes à n'importe quelle vitesse de pompe lorsque tous les canaux sont opérationnels. Une surcharge se produira lorsque le pompage se fait dans des tubes rigides des calibres les plus élevés avec une occlusion importante. Cela limite le nombre de canaux qu'il est possible d'utiliser.

ENTRETIEN

Aucun entretien n'est nécessaire. Frotter la pompe avec un chiffon propre imbibé d'un détergent doux. Ne jamais la plonger complètement dans du liquide ni utiliser trop de liquide pour la nettoyer.

Pièces de rechange :

Clé mâle (hexagonale de 9/64 po)

Modèles 07519-10 et 20 :	A-3502
Modèles 07519-15 et 25 :	A-4376

Vis de montage (8-32)

Modèles 07519-10 et 20 :	B-1079-0407
Modèles 07519-15 et 25 :	B-1079-0408

Pieds de mise à niveau

Modèles 07519-15 et 25 seulement :	A-4128-0002, (51 mm)
	A-4128-0003, (32 mm)
	A-4128-0004, (41 mm)

CARACTÉRISTIQUES TECHNIQUES

TÊTE DE POMPE

Plage de vitesse :	ROTOR	ENTRAÎNEMENT
Modèles 07519-10 et 07519-20 :	0–250 tr/mn	0–250 tr/mn
Modèles 07519-15 et 07519-25 :	0–120 tr/mn	0–600 tr/mn
Plage de température de fonctionnement :	0 à 40 °C	
Plage de température d'entreposage :	–40 à 60 °C	
Niveau de bruit :	<70 dBA à 1 mètre	
Fabrication et résistance aux attaques chimiques :	Carter en polysulfone à fibre de verre ; rotor en acier inoxydable à rouleaux en plastique à base de polytétrafluoroéthylène, roulements à billes scellés en acier inoxydable, éléments porteurs en acier inoxydable et dispositif de protection en Perbunan.	
Conformité:	EN809 (Directive Machines de l'UE)	

CARTOUCHES

Fabrication :	Bâti résistant en polycarbonate avec éléments en nylon plein et en acétal : lit d'occlusion en polysulfone plein ; bouton de réglage en aluminium anodisé sur vis en acier inoxydable, joint torique en FKM.
Dimensions :	
Épaisse :	102 × 127 × 18,3 mm
Mince :	102 × 127 × 9,1 mm

GARANTIE

N'utiliser que des tubes de précision MASTERFLEX et des kits de tubes Microbore avec les pompes MASTERFLEX pour garantir des performances optimales. L'utilisation de tout autre tube peut annuler les garanties applicables.

Nous garantissons que ce produit est conforme aux descriptifs. Si une réparation ou un réglage s'avère nécessaire durant la période de garantie, le problème sera corrigé gratuitement s'il n'est pas dû à une utilisation par le client dont nous avons déterminé qu'elle est incorrecte ou abusive. Les réparations effectuées en dehors de la période de garantie ou rendues nécessaires par une utilisation incorrecte ou abusive seront à la charge du client.

La durée de garantie de ce produit est de deux (2) ans à compter de la date d'achat.

RETOUR DE MARCHANDISES

Pour limiter les frais et délais, le produit ne peut être retourné sans notre autorisation préalable et nos instructions d'expédition ou celles du revendeur. Lors du renvoi du produit, bien vouloir en indiquer la raison. Pour se protéger, nous recommandons au client d'emballer soigneusement le produit et de l'assurer contre les risques de dommages ou de perte. Nous ne serons pas responsable des dommages résultant d'un emballage incorrect.

ASSISTANCE TECHNIQUE

Pour toute question concernant l'utilisation de ce produit, prendre contact avec nous ou avec un revendeur agréé.

ANNEXE A
TYPES D'ENTRAÎNEMENTS DE POMPES MASTERFLEX® L/S®
COMPATIBLES AVEC LES SYSTÈMES DE POMPES À CARTOUCHES

Vit. Max. (tr/mn)	Puissance (W)	Couple kg•cm	Type d'entraînement
600	74,6	1,27	I
120	37,3	1,27	
600	37,3	0,635	II
100	74,6	2,54	III

REMARQUE : se référer à la vitesse max. et à la puissance de l'entraînement ou utiliser le couple nominal pour déterminer le type d'entraînement.

ANNEXE B
CAPACITÉ EN CARTOUCHES

Modèle 07519-20 (8 rouleaux, sans démultiplication)

Kit de tubes Microbore	Nb. max. de cart., type d'entr.			
		I	II	III
0,19 ; 0,25 diam. mm	Souple	4	4	4
	Rigide	4	4	4
0,89 diam. mm	Souple	4	4	4
	Rigide	4	3	4
1,42 ; 2,06 diam. mm	Souple	4	4	4
	Rigide	4	2	4
2,79 diam. mm	Souple	4	2	4
	Rigide	3	1	4

Modèle 07519-10 (6 rouleaux, sans démultiplication)

Tubes MASTERFLEX® L/S®		Type d'entraînement		
		I	II	III
13	Souple	4	4	4
	Rigide	4	3	4
14	Souple	4	4	4
	Rigide	4	2	4
16	Souple	2	2	2
	Rigide	2	2	2
25	Souple	2	1	2
	Rigide	2	1	2
17	Souple	2	1	2

Modèle 07519-25 (8 rouleaux, démultiplication de 5:1)

Kit de tubes Microbore		Nb. max. de cart. Tous entraînements
0,19 ; 0,25 ; 0,89 ; 1,42 diam. mm	Souple	12
	Rigide	12
2,06 diam. mm	Souple	12
	Rigide	10
2,79 diam. mm	Souple	12
	Rigide	7

Modèle 07519-15 (6 rouleaux, démultiplication de 5:1)

Tubes MASTERFLEX® L/S®		Tous entraînements
13	Souple	12
	Rigide	12
14	Souple	12
	Rigide	10
16	Souple	6
	Rigide	6
25	Souple	6
	Rigide	4
17	Souple	4

REMARQUE : voir les Tableaux 1, 2 et 3 pour la compatibilité entre cartouche, tubes et pompes.

INHALTSVERZEICHNIS

Titel	Seite
SICHERHEITSMASSNAHMEN	28
EINFÜHRUNG	29
(1) Anwendungsdaten	29
(2) Allgemeine Beschreibung	29
INSTALLATION	30
VORBEREITUNG	31
(1) Wahl der Schlauchkassetten	31
(2) Einsetzen der Schlauchkassetten	31
(3) Herausnehmen der Schlauchkassetten	33
(4) Bidirektionales Pumpen	33
(5) Pumpenbetrieb bei teilweiser Belegung der Schlauchkassettenaufnahme	34
BETRIEB	34
(1) Relative Pulsationsfrequenzen	34
(2) Wahl der Schläuche und Pumpenköpfe	35
(3) Wahl der Pumpendrehzahl	36
(4) Einstellen des Schlauchanpressdrucks an den Kassetten	36
(5) Überlastung der Pumpe	37
WARTUNG	37
Auswechselbare Teile	37
TECHNISCHE DATEN	38
GARANTIE	38
WARENRÜCKSENDUNGEN	38
TECHNISCHE BERATUNG	38
ANHANG A MASTERFLEX® L/S® PUMPENANTRIEBSTYPEN	39
ANHANG B ZULÄSSIGE ANZAHL SCHLAUCHKASSETTEN	39

PUMPE FÜR FLÜSSIGKEITEN

C-FLEX, PHARMED, NORPRENE, TYGON — eingetragene Marke der Saint-Gobain Performance Plastics Corp.
SANTOPRENE — eingetragene Marke der Exxon Mobil

Marken mit dem Symbol ® in diesem Dokument sind in den USA und in anderen Ländern eingetragen.

US & Canada only

Toll Free 1-800-MASTERFLEX | 1-800-637-3739

Outside US & Canada

1-847-549-7600 | 1-847-381-7050

*EN809 manufactured by:

Cole-Parmer Instrument Company
28W092 Commercial Avenue, Barrington, IL 60010
techinfo@masterflex.com | www.masterflex.com

SICHERHEITSMASSNAHMEN

VORSICHT: Bei Schlauchbruch wird u. U. Flüssigkeit von der Pumpe verspritzt. Geeignete Maßnahmen zum Schutz von Bediener und Geräten ergreifen.



Vor Herausnehmen oder Einsetzen von Schlauchkassetten den Antrieb ausschalten. Die vorhandenen Schutzvorrichtungen sollen nach Möglichkeit vermeiden, dass Finger zwischen die Rollenmechanismen und die Basis des Moduls geraten. Dennoch auf Sicherheit achten und die Finger von diesen Bereichen fernhalten.

ACHTUNG: Übermäßiger Schlauchanpressdruck kann zu hohen Pumpentemperaturen und vorzeitigem Versagen von Schlauch und Rollen führen. Den Schlauchanpressdruck nicht höher einstellen als in Tabelle 4 angegeben.



Nur die in den Tabellen 1, 2 und 3 angegebenen Schlauch-/Kassetten-/Pumpekombinationen verwenden. Bei Verwendung anderer Kombinationen kann es zu fehlerhaftem Betrieb oder Pumpenversagen kommen.

Betreiben der Pumpen mit Drehzahlen von mehr als 250 U/min kann zu vorzeitigem Verschleiß der Pumpenrollen und des Schlauchs führen.

Erklärung von Symbolen

VORSICHT: Gefahrenrisiko. Art der Gefahr und Abhilfemaßnahmen in der Bedienungsanleitung nachlesen.



VORSICHT: Quetschgefahr. Finger vom Rotor fern halten, solange die Pumpe in Betrieb ist. Vor Einlegen oder Herausnehmen von Schläuchen die Pumpe anhalten.



ACHTUNG! ANWENDUNGSEINSCHRÄNKUNGEN

Dieses Gerät ist nicht für den Einsatz am Patienten vorgesehen und auch nicht für diesen Zweck bestimmt (z.B. medizinischen oder zahnmedizinischen Bereich) und entspricht demgemäß auch keinen FDA (Food & Drug Administration) Normen.

EINFÜHRUNG

Die Anleitungen in diesem Handbuch sind leicht überschaubar nach Aufgaben angeordnet. Sie finden die Antworten schnell in dem jeweiligen Abschnitt. Die MASTERFLEX® L/S® Pumpenantriebstypen, die mit diesem System verwendet werden können, sind in den Anhängen A und B aufgelistet.

Pumpenköpfe

MODELL	TYP
Modell 07519-10	6 Rollen, 2 große oder 4 kleine Kanäle, keine Drehzahluntersetzung
Modell 07519-20	8 Rollen, 2 große oder 4 kleine Kanäle, keine Drehzahluntersetzung
Modell 07519-15	6 Rollen, 6 große oder 12 kleine Kanäle, 5:1 Drehzahluntersetzung
Modell 07519-25	8 Rollen, 6 große oder 12 kleine Kanäle, 5:1 Drehzahluntersetzung

Schlauchkassetten

MODELL	TYP
Modell 07519-75	Große Ausführung
Modell 07519-85	Kleine Ausführung

Diese Schlauchkassettenpumpen bieten bis zu 12 gleichzeitig betriebene Pumpenkanäle und einen nahezu pulsationsfreien Durchfluss. Weiterhin enthalten die Pumpensysteme die folgenden Funktionen:

- 5:1 Drehzahluntersetzung (Modelle 07519-15 und 07519-25) für extrem niedrige Fördermengen.
- Die Kapazität für 12 Schlauchkassetten (Modelle 07519-15 und 07519-25) erlaubt die gleichzeitige Dosierung in 12 separate Behälter mit nur einem Vorbereitungs- und Pumpendurchgang.
- Die Konstruktion mit sechs bzw. acht Rollen reduziert die Pulsation.
- Die paarweise Anordnung von Kassetten mit versetztem Anpressdruck vermeidet „Rücksaugen“ und ermöglicht eine wesentliche Verringerung der Pulsation.
- Rollen mit niedriger Reibung reduzieren den Scheuerverschleiß der Schläuche auf ein Minimum.
- Eine integrierte Kupplung mit automatischer Rücksetzung beim Überschreiten von Grenzwerten schützt die Pumpe und den Antrieb bei übermäßiger Belastung (Modelle 07519-15 und 07519-25).

(1) Anwendungsdaten

Das Pumpensystem mit Schlauchkassetten und sechs bzw. acht Rollen ist für den Einsatz mit mehreren Kanälen in Anwendungen mit geringen Fördermengen vorgesehen, bei denen eine niedrige Pulsation und/oder genaue Steuerung verschiedener Fördermengen über den Schlauchanpressdruck erforderlich ist. Die in Tabelle 3 aufgelisteten Schläuche bieten einen Fördermengenbereich von 0,6 µl/min bis 350 ml/min.

(2) Allgemeine Beschreibung

Jedes Pumpenkopfsystem (siehe Abbildung 1) besteht aus einem Pumpenkopf mit mehreren Rollen und Snap-in-Schlauchkassetten in zwei Größen mit jeweils einzeln einstellbarem Schlauchanpressdruck. Die Konstruktion der „Schlauchanpressdruck-Keile“ ermöglicht eine präzise und gleichmäßigere Steuerung der Fördermenge.

Die Pumpenköpfe enthalten entweder sechs oder acht Rollen. Alle Modelle können mit verschiedenen Schläuchen verwendet werden. Die Modelle mit sechs Rollen sind mit der großen Kasette und dünnwandigem MASTERFLEX® L/S® Schlauch, die Modelle mit acht Rollen mit der kleinen Schlauchkasette und Microbore-Schlauchsätzen mit einer 0,9 mm Wand kompatibel (siehe Tabellen 1, 2 und 3).

Die Pumpenkopfsysteme haben einen außermittigen Anpressdruckweg, so dass zwei entgegengesetzt montierte Kassetten miteinander verbunden werden können und einen praktisch pulsationsfreien Fluss ohne Rücksaugen liefern.

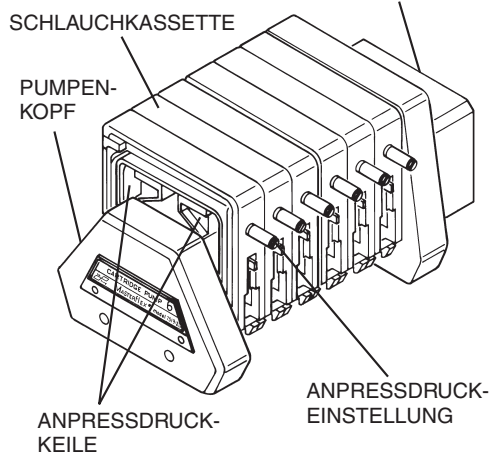
Die Pumpenköpfe mit sechs und acht Rollen sind jeweils in zwei Größen lieferbar. Die kurzen Pumpenköpfe können maximal 2 große oder 4 kleine Kassetten aufnehmen und laufen mit derselben Drehzahl wie der Antrieb. Die langen Pumpenköpfe können maximal 6 große oder 12 kleine Kassetten aufnehmen und laufen mit einem Fünftel der Antriebsdrehzahl.

Die Modelle 07519-15 und 07519-25 haben eine integrierte Kupplung mit automatischer Rücksetzung bei Überschreiten von Grenzwerten, um die Pumpe und den Antrieb bei übermäßiger Belastung zu schützen. Tritt eine Überlastung ein, erzeugt die Kupplung ein hörbares Rattern, um anzuzeigen, dass sich der Pumpenrotor nicht dreht.

Der Pumpenkopf lässt sich einfach an den meisten vorhandenen MASTERFLEX® L/S® Pumpenantriebsversionen montieren (siehe Anhang A und B).

MODELLE 07519-15 und 07519-25

5:1 DREHZAHLUNTERSETZUNG
MODELLE 07519-15 und 07519-25



MODELLE 07519-10 und 07519-20

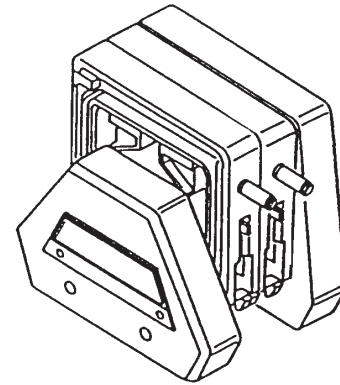


ABBILDUNG 1 PUMPENKÖPFE MIT SCHLAUCHKASSETTEN

INSTALLATION

Erforderliches Werkzeug: Langer Sechskantstiftschlüssel (im Lieferumfang enthalten)

Der Pumpenkopf wird wie folgt am MASTERFLEX® L/S® Pumpenantrieb montiert:

1. Zur Montage der Pumpe am Antrieb den Zapfen am Pumpenkopf (siehe Abbildung 2) an der Nut in der Pumpenantriebswelle ausrichten.

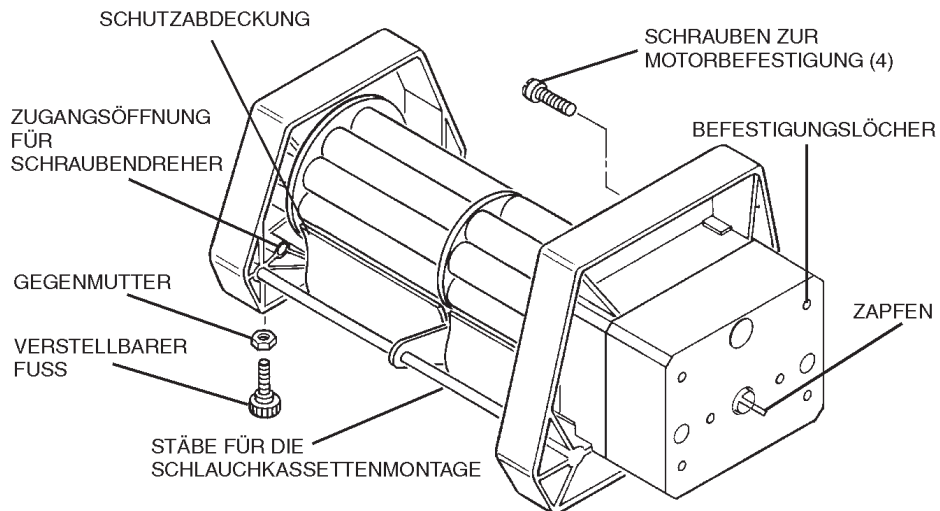


ABBILDUNG 2 PUMPENMONTAGE

2. Den Pumpenkopf mit den vier mitgelieferten Schrauben unter Verwendung des mitgelieferten langen Sechskantstiftschlüssels am Antrieb befestigen.
3. Wenn der Pumpenkopf gestützt werden muss, eine Stützschraube in der geeigneten Länge mit dem Plastikfuß und der Gegenmutter einsetzen (drei Stück sind im Lieferumfang enthalten). Den Pumpenkopf mit der Antriebseinheit durch Einstellen des Fußes nivellieren. Die Gegenmutter gegen die Unterseite des Pumpenkörpers festziehen.

VORBEREITUNG

Die Schlauchkassetten in zwei Größen (Dicke: 18,29 mm und 9,14 mm) (siehe Abbildung 3) können Pumpenschläuche verschiedener Größen aufnehmen (siehe Tabellen 1 und 2).

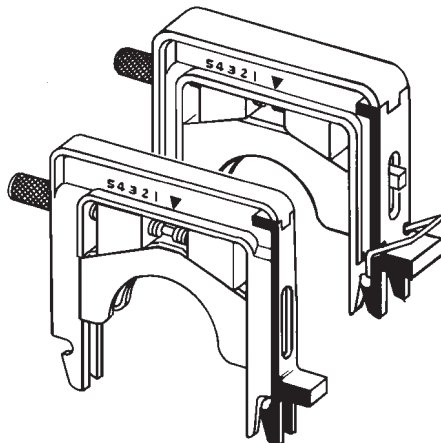


ABBILDUNG 3 KLEINE UND GROSSE SCHLAUCHKASSETTEN

(1) Wahl der Schlauchkassetten

HINWEIS: Diese Pumpenköpfe sind für den Einsatz mit den Schlauchkassettenmodellen 07519-75 und 07519-85 vorgesehen. Die Schlauchkassettenmodelle 07519-70 oder 07519-80 sind für andere Pumpenköpfe vorgesehen und dürfen nicht verwendet werden.

Je nach dem gewählten Pumpenkopf können pro Pumpenkopf bis zu sechs große oder zwölf kleine Schlauchkassetten verwendet werden. Jedoch hängt diese Zahl auch von der verfügbaren Antriebsleistung und Belastung der Pumpe ab. Für maximale Schlauchfördermengen bei 0 bar zeigt Anhang B die zulässige Anzahl Kassetten für die einzelnen Schlauchgrößen und Antriebstypen. (Die Antriebstypen sind in Anhang A beschrieben.) Es können verschiedene Kassettengrößen gleichzeitig verwendet werden, vorausgesetzt, dass die Gesamtbelastung die Antriebsleistung nicht übersteigt.

Die kleine Kassettenausführung ist für die MASTERFLEX® Präzisionsschlauchgrößen L/S® 13 und L/S® 14 in beiden Pumpenköpfen mit sechs Rollen vorgesehen und ist darüber hinaus bei Verwendung in einem der Pumpenköpfe mit acht Rollen mit den Microbore-Spezialschlauchsätzen (0,9 mm Wandstärke) kompatibel.

Die große Kassettenausführung ist für die MASTERFLEX® Präzisionsschlauchgrößen L/S® 14, L/S® 16, L/S® 25 und L/S® 17 in beiden Pumpenköpfen mit sechs Rollen.

Um optimale Anwendungsergebnisse zu gewährleisten, sind für MASTERFLEX-PUMPEN ausschließlich MASTERFLEX-Präzisionsschläuche und Microbore-Schlauchsätze zu verwenden. Der Einsatz anderer Schläuche kann eine Verweigerung der Garantieleistung nach sich ziehen.

(2) Einsetzen der Schlauchkassetten

Die Anpressdruckoberflächen der Schlauchkassetten sind asymmetrisch um die Pumpenrolleneinheit positioniert (siehe Abbildung 3) so dass die Ausrichtung am Pumpenkopf für bestimmte Anwendungen von Bedeutung ist.

Um für alle Kanäle parallele, synchronisierte Pulsationen und „Flüssigkeitskissen“ zu erzielen, müssen alle Schlauchkassetten in die gleiche Richtung zeigen.

Um einen nahezu pulsationsfreien Fluss zu erreichen, werden die Schlauchkassetten in alternierender Richtung angeordnet, und jeweils ein Schlauchstück gleicher Länge wird von der Ausgabeseite zweier alternierender Schlauchkassetten über ein Y-Stück zusammengeführt (siehe Abbildung 4). Die asymmetrische Konstruktion der Schlauchkassetten sorgt für überlappende Pulsation in den beiden Schläuchen, was eine nahezu vollständige Aufhebung der Pulsation in dem zusammengeführten Durchflusskanal bewirkt.

HINWEIS: Bei allen Schlauchgrößen und Pumpendrehzahlen ist die Durchflussrate im zusammengeführten Schlauch höher als die Durchflussrate im Einzelkanal.

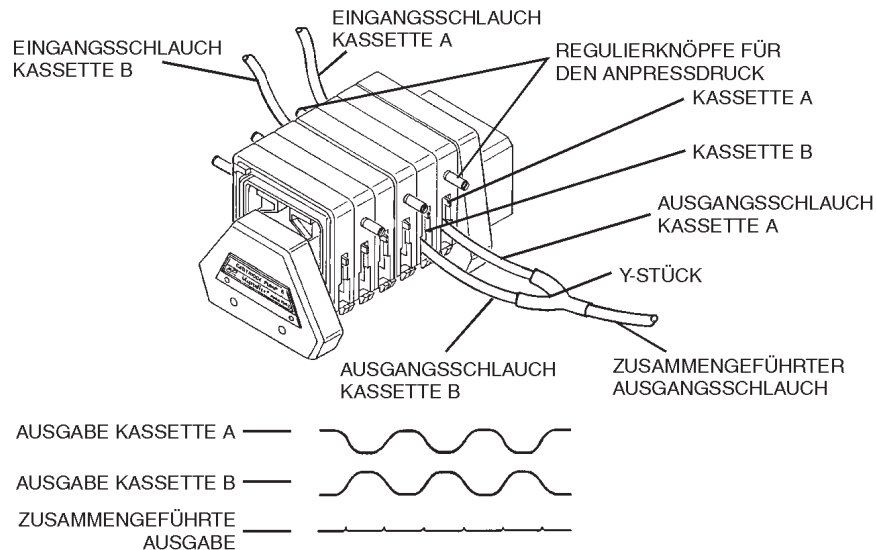


ABBILDUNG 4 SCHLAUCHANSCHLÜSSE ZUR PULSATIONSREDUZIERUNG

VORSICHT: Bei Schlauchbruch wird u. U. Flüssigkeit von der Pumpe verspritzt. Geeignete Maßnahmen zum Schutz von Bediener und Geräten ergreifen.



Vor Herausnehmen oder Einsetzen von Schlauchkassetten den Antrieb ausschalten. Die vorhandenen Schutzvorrichtungen sollen nach Möglichkeit vermeiden, dass Finger zwischen die Rollenmechanismen und die Basis des Moduls geraten. Dennoch auf Sicherheit achten und die Finger von diesen Bereichen fernhalten.

ACHTUNG: Nur die in den Tabellen 1, 2 und 3 Schlauch-/Kassetten-/Pumpekombinationen verwenden. Bei Verwendung anderer Kombinationen kann es zu fehlerhaftem Betrieb oder Pumpenversagen kommen.



Bei ausgeschaltetem Antrieb die Schlauchkassetten wie folgt einsetzen:

1. Den Regulierring für den Schlauchanpressdruck (siehe Abbildung 5) entgegen dem Uhrzeigersinn auf die maximale Öffnung drehen. Dieser Schritt ist nicht notwendig, wenn der Schlauchanpressdruck auf der werkseitigen Einstellung steht oder bereits während vorausgehender Pumpvorgänge korrekt eingestellt wurde.
2. Bei Verwendung der großen Schlauchkassette die Schlauchhalterung entsprechend der Schlauchgröße einstellen (siehe Abbildung 7A). (Siehe Tabelle 4.) Bei Verwendung der kleinen Schlauchkassette entfällt diese Einstellung. (**Hinweis:** Der Knopf für die Schlauchhalterung auf der Seite der großen Kassette, an der sich der Regulierring für den Schlauchanpressdruck befindet, ist nicht fest verankert und könnte herausfallen. In diesem Fall die Halterung wieder einschieben und gleichzeitig den Knopf eindrücken.)
3. Den geeigneten Pumpenschlauch auswählen und in die Schlauchkassette einlegen (siehe Abbildung 7B). Bei Verwendung eines Microbore-Schlauchsatzes (siehe Abbildung 6) den Steg an beiden Seiten der Schlauchkassette an die Schlauchhalterung schieben (siehe Abbildung 7C).

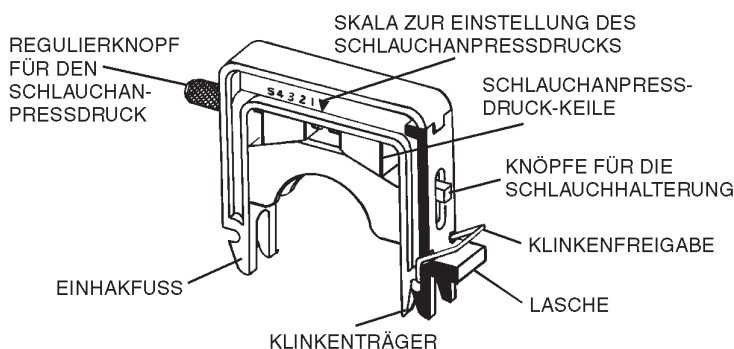


ABBILDUNG 5 KASSETTENBAUGRUPPE

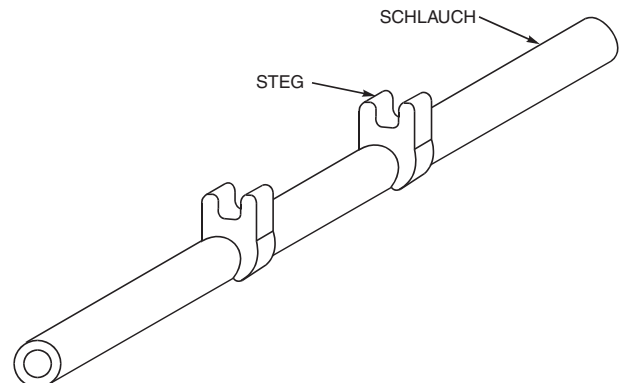


ABBILDUNG 6 MICROBORE-SCHLAUCHSATZ

4. Den Einhakfuß der Schlauchkassette auf einen der Trägerstäbe haken und dabei den Schlauch zwischen den Füßen der Kassette und gegen die Schlauchhalterung halten (siehe Abbildung 7D).
5. Die Kassette mit dem Schlauch über den Rotor klappen und die Lasche nach unten drücken (siehe Abbildung 5), bis die Klinke einrastet (siehe Abbildung 7E). **Hinweis:** Die Schlauchkassette nach Bedarf an der in Abbildung 7E angegebenen Stelle nach unten drücken, um das Ein- und Ausklinken zu erleichtern.
6. Am Aus- und Einlassende leicht am Schlauch ziehen, damit bei Verwendung von fortlaufendem Schlauch kein Durchhang zurückbleibt. Bei Verwendung eines Microbore-Schlauchsatzes gibt es keinen Durchhang.
7. Den Schlauchanpressdruck einstellen (siehe Abschnitt BETRIEB). Zur Einstellung auf den Nennwert bei Verwendung von MASTERFLEX-Schläuchen die Regulierschraube so drehen, dass die Innenkante des Keils mittig zwischen den Nummern 3 und 4 auf der Anzeige liegt.

(3) Herausnehmen der Schlauchkassetten

Die Schlauchkassette wird wie folgt herausgenommen:

1. Den Antrieb ausschalten.
2. Auf der Klinkenseite auf die Schlauchkassette drücken (siehe Abbildung 7E) und den Einhakfuß nach außen aus dem Stab aushaken. Drücker des Klinkenfreigabe (siehe Abbildung 5) erleichtert diesen Schritt.
3. Die Schlauchkassette nach oben kippen und den Einhakfuß aus dem Stab aushaken. Schlauchkassette herausnehmen.

(4) Bidirektionales Pumpen

Flüssigkeiten können durch Richtungsänderung des Antriebs in Behälter und aus diesen herausgepumpt werden. An Antrieben ohne Richtungsänderung längere Schlauchstücke verwenden und die Kassette mit eingelegtem Schlauch einfach umdrehen.

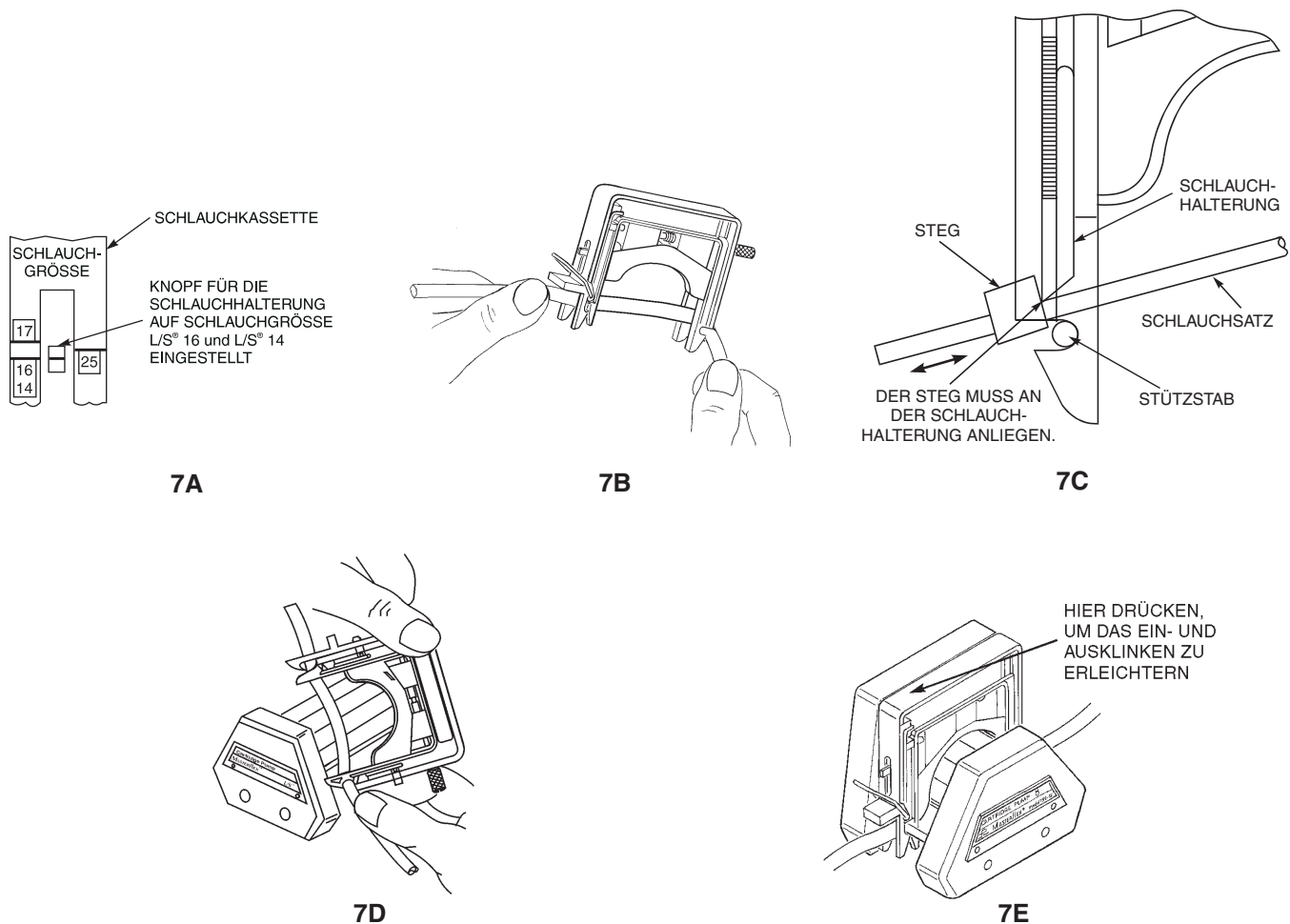


ABBILDUNG 7 EINSETZEN DES PUMPENSCHLAUCHS UND DER KASSETTE

(5) Pumpenbetrieb bei teilweiser Belegung der Schlauchkassettenaufnahme

Die Pumpe kann mit einer vollständig oder nur teilweise belegten Schlauchkassettenaufnahme betrieben werden. Die beiden Metallstäbe der Pumpe sind auf beiden Seiten mit einem elastischen FKM Fluorelastomer-O-Ring versehen (siehe Abbildung 8), der die Schlauchkassetten an der Pumpe festhält. Diese O-Ringe werden wie folgt eingestellt: Wenn die Pumpe nur teilweise mit Schlauchkassetten geladen ist, die O-Ringe an den Stäben entlang gegen die Vorderseite der ganz außen liegenden Kassette schieben, um diese Kassette festzuhalten (siehe beispielsweise Position A in Abbildung 8). Wenn die Pumpe vollständig mit Schlauchkassetten geladen ist, die O-Ringe so weit wie möglich zur Vorderseite der Pumpe hin schieben (siehe Position B in Abbildung 8). Wenn die Pumpe bei Verwendung von Modellen mit Drehzahluntersetzung (07519-15, -25) weniger als zur Hälfte mit Schlauchkassetten gefüllt ist, die Schlauchkassetten in die vordere Hälfte der Pumpe einsetzen, damit die O-Ringe genutzt werden können.

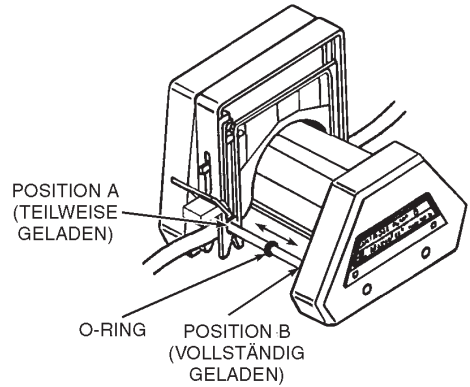


ABBILDUNG 8 POSITION DER O-RINGE

BETRIEB

Dieser Abschnitt beschreibt die Schritte, die zur Erreichung der gewünschten Pumpenleistung notwendig sind.

(1) Relative Pulsationsfrequenzen

Die relative Pulsationsfrequenz im Pumpenausgang hängt von mehreren Faktoren ab wie z. B. der Anzahl der Rollen am Pumpenrotor, der Kassettengröße und ob die Kassetten paarweise angeordnet sind.

Der Schwingungsbereich in einem Durchflussmesser mit Kugel wurde beobachtet und als Maß zugrundegelegt. Die annähernden relativen Pulsationswerte für beliebige Schlauchgrößen und Fördermengen sind in der folgenden Tabelle enthalten. Zur Ermittlung der Werte in der Tabelle wurde eine MASTERFLEX® L/S® Pumpe mit drei Rollen als Bezugsmaß und ein willkürlich gewählter Wert von 10 verwendet.

Pumpentyp MASTERFLEX® L/S®	Kleine Schlauchkassette	Große Schlauchkassette
6 Rollen	4	4
8 Rollen	3	—
6 Rollen, paarweise Schlauchkassetten	1.5	>1
8 Rollen, paarweise Schlauchkassetten	<1	—

(2) Wahl der Schläuche und Pumpenköpfe

Die für die erforderliche Einkanal-Fördermenge geeigneten Schläuche, Schlauchkassetten und Pumpenköpfe anhand von Tabellen 1, 2 und 3 auswählen.

ACHTUNG: Nur die in den Tabellen 1, 2 und 3 angegebenen Schlauch-/Kassetten-/Pumpenkombinationen verwenden. Bei Verwendung anderer Kombinationen kann es zu fehlerhaftem Betrieb oder Pumpenversagen kommen.



Betreiben der Pumpen mit Drehzahlen von mehr als 250 U/min kann zu vorzeitigem Verschleiß der Pumpenrollen und des Schlauchs führen.

TABELLE 1 FÖRDERMENGEN KLEINE SCHLAUCHKASSETTE – 07519-85

Pumpenkopf	Antrieb U/min	Pumpe U/min	Einheiten	MICROBORE-SCHLAUCH (mm Innendurchmesser)						MASTERFLEX® L/S® SCHLAUCH	
				0,19	0,25	0,89	1,42	2,06	2,79	L/S® 13	L/S® 14
				FÖRDERMENGEN							
07519-25 8 Rollen	1 600	0,2 120	µl/min ml/min	0,50 0,30	1,0 0,60	10 6,2	23 14	43 26	68 41	nicht kompatibel	
07519-15 6 Rollen	1 600	0,2 120	µl/min ml/min	nicht kompatibel						8,7 5,2	33 20
07519-20 8 Rollen	1 250	1 250	µl/min ml/min	2,8 0,70	5,2 1,3	52 13	120 29	220 54	340 85	nicht kompatibel	
07519-10 6 Rollen	1 250	1 250	µl/min ml/min	nicht kompatibel						40 10	160 39

TABELLE 2 FÖRDERMENGEN GROSSE SCHLAUCHKASSETTE – 07519-75

Pumpenkopf	Antrieb U/min	Pumpe U/min	Einheiten	MASTERFLEX® L/S® SCHLAUCH			
				L/S® 14	L/S® 16	L/S® 25	L/S® 17
				FÖRDERMENGEN			
07519-15 6 Rollen	1 600	0,2 120	µl/min ml/min	33 20	110 65	200 120	280 170
07519-10 6 Rollen	1 250	1 250	µl/min ml/min	160 39	520 130	960 240	1400 350

- ANMERKUNGEN:** 1) Eine inkorrekte Schlauchdehnung kann zu einer reduzierten Fördermenge führen (siehe Abschnitt EINSETZEN DER SCHLAUCHKASSETTEN).
 2) Die Modelle 07519-10 und 07519-20 Pumpen laufen mit derselben Drehzahl wie der Antrieb.
 Bei den Modellen 07519-15 und 07519-25 ist die Drehzahl auf ein Fünftel der Antriebsdrehzahl reduziert.

TABELLE 3 GEEIGNETE SCHLÄUCHE

Schlauchmaterial	*MICROBORE-SCHLAUCHSATZ (mm Innendurchmesser)			MASTERFLEX® L/S® SCHLAUCH	
	0,19	0,25	0,89; 1,42; 2,06; 2,79	L/S® 13, 14, 16, 25	L/S® 17
Weich					
Silikon (Platin)			X	X	X
Silikon (Peroxid)				X	X
TYGON® Silikon				X	X
C-FLEX® (50 A)				X	X
Steif					
BPT				X	
TYGON LFL				X	
NORPRENE® Nahrungsmittel (A 60 F)				X	
TYGON Labor (R-3603)				X	
NORPRENE (A 60 G)				X	
TYGON Kraftstoff (F-4040-A)				X	
PVC	X	X	X		
FKM			X		
SANTOPRENE®		X	X		

*Mit den Schlauchkassetten nur MICROBORE- SPEZIALSCHLAUCHSÄTZE verwenden (Abbildung 6).

(3) Wahl der Pumpendrehzahl

Einen geeigneten Antrieb mit fester Drehzahl wählen oder die Drehzahl eines drehzahlveränderlichen Antriebs innerhalb des für das gewählte Pumpenmodell zulässigen Rotordrehzahlbereichs auf die gewünschte Nennfördermenge einstellen.

(4) Einstellen des Schlauchanpressdrucks an den Kassetten

ACHTUNG: *Übermäßiger Schlauchanpressdruck kann zu hohen Pumpentemperaturen und vorzeitigem Versagen von Schlauch und Rollen führen. Den Schlauchanpressdruck nicht höher einstellen als in Tabelle 4 angegeben.*



HINWEIS: Der Nennwert für den Schlauchanpressdruck bei MASTERFLEX® L/S® Präzisionsschläuchen liegt sowohl bei großen als auch bei kleinen Kassetten bei Einstellung 3 – 4 der mit „Mflex“ gekennzeichneten Skala. Der Nennwert für den Schlauchanpressdruck bei Microbore-Schlauchsätzen (Wandstärke 0,9 mm) liegt nur bei kleinen Kassetten bei Einstellung 3 – 4 der mit „Micro“ gekennzeichneten Skala.

Bei einem Schlauchkassettensystem mit mehreren Kanälen können die Fördermenge, Druckempfindlichkeit und Lebensdauer des Schlauchs auch bei laufender Pumpe feineingestellt werden. Dadurch werden Ausfallzeiten vermieden, und bei Betriebsdrehzahlen von bis zu 600 U/min werden höhere maximale Fördermengen bei gleicher Schlauchgröße erzielt.

Abbildung 9A (große und kleine Schlauchkassette) zeigt die Keile auf Einstellung 3 der Sollwertskala für den Schlauchanpressdruck bei MASTERFLEX-Schläuchen.

Abbildung 9B (nur kleine Schlauchkassette) zeigt die Keile auf Einstellung 3 – 4 der Skala für Microbore-Schlauchsätze.

Der Regulierknopf für den Schlauchanpressdruck (siehe Abbildung 9A und 9B) steuert einen Schraubmechanismus zum Verschieben der Anpressekeile. Wenn eine Kassette für eine bestimmte Anwendung korrekt eingestellt ist, braucht sie nicht mehr neu eingestellt zu werden. Oder Sie können die Einstellungswerte notieren und die Einstellung später schnell wiederholen.

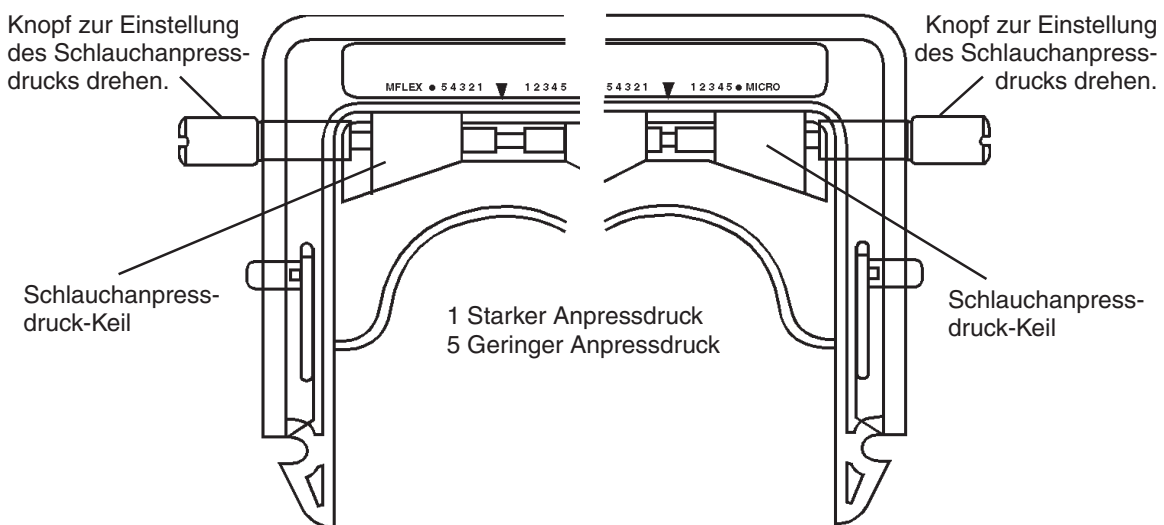


ABBILDUNG 9A ANZEIGE DES SCHLAUCHANPRESSDRUCKS FÜR MASTERFLEX-SCHLÄUCHE

ABBILDUNG 9B ANZEIGE DES SCHLAUCHANPRESSDRUCKS FÜR DIE MICROBORE-SCHLAUCHSÄTZE

(a) Einstellungen für normalen Schlauchanpressdruck

Die folgende Tabelle zeigt die Einstellungen für den Schlauchanpressdruck, die eine gute Leistung für die verschiedenen Schlauchgrößen ergeben. (Die Optimierung der Einstellung des Schlauchanpressdrucks ist im folgenden Abschnitt beschrieben.)

TABELLE 4 EMPFOHLENE EINSTELLUNGEN FÜR DEN SCHLAUCHANPRESSDRUCK

Schlauch	Große Schlauchkassette Mflex-Skala	Kleine Kassette	
		Mflex-Skala	Micro-Skala
Microbore-Schlauchsatz	Nicht zutreffend	Nicht zutreffend	3 Micro-Skala
MASTERFLEX® L/S® Präzisionsschlauch	3 – 4 Mflex-Skala	3 – 4 Mflex-Skala	Nicht zutreffend

(b) Schritte zur Einstellung des Schlauchanpressdrucks

1. Den empfohlenen Anpressdruckwert aus der Tabelle wählen.
2. Den Regulierknopf für den Schlauchanpressdruck so drehen, dass die Innenkante des weißen Keils auf gleicher Höhe mit der Skalenummer liegt. (Drehen im Uhrzeigersinn erhöht den Anpressdruck.)

(c) Optimierte Anpressdruckeinstellungen

Bei einigen Anwendungen muss die Anpressdruckeinstellung nachgestellt werden, um die Fördermenge für einen bestimmten Schlauch zu variieren oder die durch Änderungen im Systemdruck verursachten Fördermengenschwankungen zu reduzieren oder die Lebensdauer des Schlauchs zu erhöhen.

1. Die Anpressdruckkeile entsprechend der vorstehenden Tabelle einstellen.
2. Diese Einstellung je nach Zielsetzung feinregulieren:

Für maximale Schlauchlebensdauer

Bei laufender Pumpe den vorher eingestellten Schlauchanpressdruck verringern. Hierzu den Regulierknopf für den Schlauchanpressdruck entgegen dem Uhrzeigersinn drehen, um die Keile auf einen höheren Skalenwert (auf 5 hin) zu verschieben. Den Knopf weiter entgegen dem Uhrzeigersinn drehen, bis die Fördermenge zu stark verringert ist oder die Druckempfindlichkeit nicht mehr ausreicht. Dann den Knopf ganz leicht im Uhrzeigersinn drehen.

Zur Reduzierung oder Vermeidung eines Rückgangs der Fördermenge bei Druckschwankungen

Bei laufender Pumpe den Gegendruck zwischen dem erwarteten höchsten und niedrigsten Wert variieren und den eingestellten Schlauchanpressdruck erhöhen. Den Regulierknopf für den Schlauchanpressdruck im Uhrzeigersinn drehen, um die Keile auf einen niedrigeren Wert der Sollwertskala (auf 1 hin) zu verschieben, bis der Rückgang der Fördermenge minimiert ist.

Zum Feineinstellen der Fördermenge

Zum Variieren der Fördermenge den Schlauchanpressdruck erhöhen bzw. verringern.

(5) Überlastung der Pumpe

Die Modelle 07519-15 und 07519-25 enthalten eine integrierte Kupplung mit automatischer Rücksetzung beim Überschreiten von Grenzwerten, um die Pumpe und den Antrieb bei übermäßiger Belastung zu schützen. Tritt eine Überlastung ein, hält der Pumpenrotor an, und die Kupplung erzeugt ein hörbares Rattern.

Die Kapazität der Kupplung reicht aus, um die meisten Kombinationen aus Schlauchgröße und Material bei allen Pumpendrehzahlen und voller Kanalbelegung zu betreiben. Wenn bei hohem Anpressdruck und höheren Drehzahlen durch größere Schläuche aus steifem Material gepumpt wird, kommt es zu einem Überlastzustand. Dies schränkt die Anzahl der Kanäle ein, die gleichzeitig betrieben werden können.

WARTUNG

Wartungsmaßnahmen sind nicht notwendig. Die Pumpe mit einem sauberen Tuch und mildem Reinigungsmittel abwischen. Niemals eintauchen und nicht zu viel Flüssigkeit verwenden.

Auswechselbare Teile:

Sechskantstiftschlüssel (9/64, Sechskant)

Modelle 07519-10 und 20:	A-3502
Modelle 07519-15 und 25:	A-4376

Befestigungsschrauben (8-32)

Modelle 07519-10 und 20:	B-1079-0407
Modelle 07519-15 und 25:	B-1079-0408

Nivellierfüße

nur Modelle 07519-15 und 25:	A-4128-0002, (51 mm)
	A-4128-0003, (32 mm)
	A-4128-0004, (41 mm)

TECHNISCHE DATEN

PUMPENKOPF

Drehzahlbereich:	ROTOR	ANTRIEB
Modelle 07519-10 und 07519-20:	0 – 250 U/min	0 – 250 U/min
Modelle 07519-15 und 07519-25:	0 – 120 U/min	0 – 600 U/min
Temperaturbereich, Betrieb:	0 bis 40 °C	
Temperaturbereich, Lagerung:	–40 bis 60 °C	
Geräuschpegel:	<70 dBA bei 1 Meter	
Bauweise und chemische Beständigkeit:	Gehäuse aus glasfaserverstärktem Polysulfon; Rotorbaugruppe aus rostfreiem Stahl mit Kunststoffrollen auf PTFE-Basis, versiegelte Kugellager aus rostfreiem Stahl, tragende Teile aus rostfreiem Stahl und Schutzabdeckung aus Buna N.	
Compliance:	EN809 (EU-Maschinenrichtlinie)	

SCHLAUCHKASSETTEN

Bauweise:	Haltbarer Polycarbonatrahmen mit glasfaserverstärkten Nylon- und Acetalkomponenten; Schlauchbett aus glasfaserverstärktem Polysulfon; Regulierknopf aus eloxiertem Aluminium auf einer Schraube aus rostfreiem Stahl, FKM O-Ring.
Abmessungen:	
Groß:	201 × 127 × 18,3 mm
Klein:	201 × 127 × 9,1 mm

GARANTIE

Um optimale Anwendungsergebnisse zu gewährleisten, sind für MASTERFLEX-Pumpen ausschließlich MASTERFLEX-Präzisionsschläuche und Microbore-Schlauchsätze zu verwenden. Der Einsatz anderer Schläuche kann eine Verweigerung der Garantieleistung nach sich ziehen.

Der Hersteller garantiert, dass dieses Produkt keine nennenswerten Abweichungen von den veröffentlichten Spezifikationen aufweist. Falls während der Garantiezeit eine Reparatur oder Nachbesserung erforderlich werden sollte, wird dies kostenlos vorgenommen, vorausgesetzt, es liegt kein vom Hersteller feststellbarer fehlerhafter oder unsachgemäßer Einsatz seitens des Kunden vor. Reparaturkosten außerhalb der Garantiezeit oder aufgrund von fehlerhaftem oder unsachgemäßem Gebrauch des Produktes werden Ihnen in Rechnung gestellt.

Die Garantie gilt für einen Zeitraum von zwei (2) Jahren nach dem Kaufdatum.

WARENRÜCKSENDUNGEN

Um Kosten und Verzögerungen so gering wie möglich zu halten, lassen Sie sich in jedem Fall von Ihrem Fachhändler oder dem Hersteller eine Rücksendegenehmigung und die Versandanweisungen geben, bevor Sie Ware zurückschicken. Geben Sie bitte den Rücksendegrund mit an. Verpacken Sie die Ware sorgfältig und versichern Sie die Sendung gegen Beschädigung bzw. Verlust. Für Transportschäden aufgrund unsachgemäßer Verpackung haften Sie.

TECHNISCHE BERATUNG

Wenn Sie Fragen zur Anwendung dieses Produktes haben, wenden Sie sich bitte an den Hersteller oder autorisierten Fachhändler.

ANHANG A
MASTERFLEX® L/S® PUMPENANTRIEBSTYPEN
FÜR DEN EINSATZ MIT KASSETTENPUMPSYSTEMEN

Max. U/min	Leistung (W)	Drehmoment kg*cm	Antriebstyp
600	74,6	1,27	I
120	37,3	1,27	
600	37,3	0,635	II
100	74,6	2,54	III

HINWEIS: Den Antriebstyp anhand der max. U/min und Leistung oder des Nenn Drehmoments des Antriebs bestimmen.

ANHANG B
ZULÄSSIGE ANZAHL SCHLAUCHKASSETTEN

Modell 07519-20 (8 Rollen, keine Drehzahluntersetzung)

Microbore-Schlauchsatz		Max. Anzahl Kassetten./Antriebstyp		
		I	II	III
0,19; 0,25 mm Durchmesser	Weich	4	4	4
	Steif	4	4	4
0,89 mm Durchmesser	Weich	4	4	4
	Steif	4	3	4
1,42; 2,06 mm Durchmesser	Weich	4	4	4
	Steif	4	2	4
2,79 mm Durchmesser	Weich	4	2	4
	Steif	3	1	4

Modell 07519-10 (6 Rollen, keine Drehzahluntersetzung)

MASTERFLEX® L/S® Schlauch		Antriebstyp		
		I	II	III
13	Weich	4	4	4
	Steif	4	3	4
14	Weich	4	4	4
	Steif	4	2	4
16	Weich	2	2	2
	Steif	2	2	2
25	Weich	2	1	2
	Steif	2	1	2
17	Weich	2	1	2

Modell 07519-25 (8 Rollen, 5:1 Drehzahluntersetzung)

Microbore-Schlauchsatz		Max. Anzahl Kassetten Alle Antriebe
0,19; 0,25; 0,89; 1,42 mm Durchmesser	Weich	12
	Steif	12
2,06 mm Durchmesser	Weich	12
	Steif	10
2,79 mm Durchmesser	Weich	12
	Steif	7

Modell 07519-15 (6 Rollen, 5:1 Drehzahluntersetzung)

MASTERFLEX® L/S® Schlauch		Antriebstyp
13	Weich	12
	Steif	12
14	Weich	12
	Steif	10
16	Weich	6
	Steif	6
25	Weich	6
	Steif	4
17	Weich	4

HINWEIS: Kompatibilität Schlauchkassette/Schlauch/Pumpe siehe Tabellen 1, 2 und 3.

ÍNDICE GENERAL

Título	Página
PRECAUCIONES DE SEGURIDAD	41
INTRODUCCIÓN	42
(1) Datos de aplicación	42
(2) Descripción general	42
INSTALACIÓN	43
CONFIGURACIÓN	44
(1) Selección de cartuchos	44
(2) Carga de cartuchos	44
(3) Desmontaje del cartucho	46
(4) Bombeo bidireccional	46
(5) Bombeo con parte del grupo de cartuchos	47
OPERACIÓN	47
(1) Índices de pulsación relativos	47
(2) Seleccione los tubos y cabezas de bomba	48
(3) Seleccione la velocidad de la bomba	49
(4) Fije los ajustes de oclusión en los cartuchos	49
(5) Sobrecarga de la bomba	50
MANTENIMIENTO	50
Piezas de repuesto	50
ESPECIFICACIONES	51
GARANTÍA	51
DEVOLUCIÓN DEL PRODUCTO	51
ASISTENCIA TÉCNICA	51
APÉNDICE A TIPOS DE MANDOS DE BOMBA MASTERFLEX® L/S®	52
APÉNDICE B CAPACIDAD DE CARGA DE LOS CARTUCHOS	52

BOMBA PARA LÍQUIDOS

C-FLEX, PHARMED, NORPRENE y TYGON son marcas comerciales registradas de Saint-Gobain Performance Plastics Corp.

SANTOPRENE es una marca comercial registrada de Exxon Mobil

Las marcas comerciales que llevan el símbolo® en esta publicación están registradas en EE.UU. y en otros países.

US & Canada only

Toll Free 1-800-MASTERFLEX | 1-800-637-3739

Outside US & Canada

1-847-549-7600 | 1-847-381-7050

*EN809 manufactured by:

Cole-Parmer Instrument Company

28W092 Commercial Avenue, Barrington, IL 60010

techinfo@masterflex.com | www.masterflex.com

PRECAUCIONES DE SEGURIDAD

ADVERTENCIAS: *La rotura del tubo puede rociar fluido procedente de la bomba. Tome las medidas apropiadas para proteger al operador y los equipos.*



Apague el mando antes de quitar o instalar cartuchos. Se incluyen protectores de seguridad para reducir al mínimo el riesgo de que los dedos queden atrapados entre el mecanismo de los rodillos y la base del módulo. No obstante, tenga cuidado. No acerque los dedos a estas áreas.

PRECAUCIONES: *La oclusión excesiva puede ocasionar temperaturas altas en la bomba y la rotura prematura de tubos y rodillos. No fije la oclusión más pequeña de lo recomendado en la Tabla 4.*



Use sólo las combinaciones de tubos/cartuchos/bombas definidas en las Tablas 1, 2 y 3. El uso de las demás combinaciones puede causar un funcionamiento erróneo o daños en la bomba.

La operación de las bombas a velocidades en exceso de 250 rpm puede producir el desgaste prematuro de los rodillos y tubos de las bombas.

Explicación de Símbolos

AVISO:

Riesgo de peligro. Consulte el manual de uso para determinar el peligro y las precauciones correctas.



AVISO:

Riesgo de lesión. Debe mantener sus dedos lejos de las partes en movimiento mientras la bomba esta funcionando. Apague la bomba antes de instalar o quitar los tubos.



ADVERTENCIA: LIMITACIÓN DEL USO DEL PRODUCTO

Estos productos no están diseñados ni tienen como fin ser utilizados en aplicaciones conectadas a pacientes; incluidas aplicaciones médicas y dentales, pero sin limitarse a las mismas, y de acuerdo con esto no se ha enviado la documentación para su aprobación por la FDA.

INTRODUCCIÓN

Las instrucciones de este manual están divididas según las tareas a fin de facilitar la referencia. Puede ir directamente a cierta sección y encontrar las respuestas rápidamente. Los Apéndices A y B indican los tipos de mandos de bomba MASTERFLEX® L/S® que pueden usarse con este sistema.

Cabezas de bomba

MODELO	TIPO
Modelo 07519-10	6 rodillos, 2 canales grandes o 4 pequeños, sin reductor de velocidad
Modelo 07519-20	8 rodillos, 2 canales grandes o 4 pequeños, sin reductor de velocidad
Modelo 07519-15	6 rodillos, 6 canales grandes o 12 pequeños, reducción de velocidad 5:1
Modelo 07519-25	8 rodillos, 6 canales grandes o 12 pequeños, reducción de velocidad 5:1

Cartuchos

MODELO	TIPO
Modelo 07519-75	Grande
Modelo 07519-85	Pequeño

Estas bombas de cartuchos están diseñadas para proporcionar hasta 12 canales de bomba impulsados simultáneamente y la capacidad de proporcionar un caudal prácticamente sin pulsaciones. Además, los sistemas de la bomba disponen de las características siguientes.

- Reducción de velocidad 5:1 en los modelos 07519-15 y 07519-25, proporcionando caudales ultrabajos.
- Capacidad de 12 cartuchos en los modelos 07519-15 y 07519-25 que permiten distribuir fluido simultáneamente en 12 recipientes separados con un ciclo de configuración y bombeo.
- Diseños de seis y ocho rodillos que reducen las pulsaciones.
- Elimina la retroaspiración y reduce considerablemente la pulsación combinando los cartuchos con una oclusión descentrada.
- Rodillos de baja fricción para un mínimo de abrasión de los tubos.
- Embrague de limitación de reajuste automático integrado para proteger la bomba y el mando en caso de una sobrecarga excesiva en los modelos 07519-15 y 07519-25.

(1) Datos de aplicación

Los sistemas de bomba de cartuchos de seis u ocho rodillos están diseñados para ser usados con canales múltiples donde la baja pulsación y el control estrecho de oclusión de una variedad de caudales diferentes en aplicaciones de bajo caudal. Los tubos encontrados en la Tabla 3 pueden usarse para suministrar de 0,6 µl/min a 350 ml/min.

(2) Descripción general

Cada sistema de cabeza de bomba (vea la Figura 1) está compuesto de una cabeza de bomba de rodillos múltiples y dos tamaños de cartuchos de tubos encajables, cada uno con valores de oclusión ajustables individualmente. El diseño de “cuña” de oclusión proporciona un control de caudal más exacto y equilibrado.

Las cabezas de bomba contienen seis u ocho rodillos. Todos los modelos pueden operar con una variedad de tubos. Los modelos de seis rodillos son compatibles con el cartucho grande y los tubos de paredes finas MASTERFLEX® L/S®, y los modelos de ocho rodillos son compatibles con el cartucho pequeño y los juegos de tubos Microbore de 0,9 mm de pared (vea las Tablas 1, 2 y 3).

Los sistemas de cabezas de bomba tienen una ruta de oclusión descentrada que permite conectar dos cartuchos montados en posiciones opuestas para obtener un caudal prácticamente sin pulsaciones y sin retroaspiración.

Se dispone de cabezas de bomba de seis y ocho rodillos en dos tamaños. Las cabezas de bomba cortas tienen capacidad para 2 cartuchos grandes o 4 pequeños y operan a la misma velocidad que el mando. Las bombas de cabeza largas tienen una capacidad de 6 cartuchos grandes o 12 pequeños y operan a un quinto de velocidad del mando.

Los modelos 07519-15 y 07519-25 tienen un embrague limitador de reajuste automático integrado para proteger la bomba y el mando en el caso de una sobrecarga excesiva. Cuando se produce una sobrecarga, el embrague produce un ruido audible indicando que el rotor de la bomba no está girando.

La cabeza de la bomba se monta rápidamente en la mayoría de los tipos de mandos de bomba existentes MASTERFLEX® L/S® (vea los Apéndices A y B).

CONFIGURACIÓN

Los dos tamaños de cartuchos (18,29 mm y 9,14 mm de espesor) (vea la Figura 3) permiten utilizar una amplia gama de tamaños de tubos según se observa en las Tablas 1 y 2.

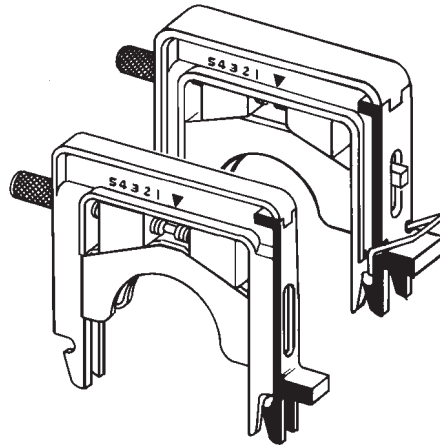


FIGURA 3 CARTUCHOS PEQUEÑOS Y GRANDES

(1) Selección de cartuchos

NOTA: Estas cabezas de bomba están diseñadas para funcionar con los modelos de cartuchos 07519-75 y 07519-85. No use los modelos de cartuchos 07519-70 ni 07519-80, que están diseñados para cabezas de bomba diferentes.

Dependiendo de la cabeza de bomba que se use, se pueden combinar hasta seis cartuchos de tubos grandes o doce pequeños con la cabeza de la bomba. No obstante, existe un límite dependiendo de la corriente de impulsión y de la carga de la bomba disponibles. Para caudales máximos de los tubos a 0 lb/pulg², la tabla del Apéndice B muestra las capacidades de los cartuchos según el tamaño del tubo y el tipo de mando (vea la descripción de Tipos de mandos en el Apéndice A). Los tamaños de cartuchos pueden mezclarse unos con otros siempre que la carga total no exceda la capacidad del mando.

El cartucho pequeño está diseñado para operar con tubos de precisión MASTERFLEX® de tamaños L/S® 13 y L/S® 14 en la cabeza de bomba de seis rodillos y también permitirá la instalación de conjuntos de tubo Microbore especialmente diseñados (pared de 0,9 mm) cuando se use en una de las cabezas de bomba de ocho rodillos.

El cartucho grande está diseñado para operar con tubos de precisión MASTERFLEX® L/S® 14, L/S® 16, L/S® 25 y L/S® 17 en cualquiera de las cabezas de bomba de seis rodillos.

**Use sólo conjuntos de tubos de precisión y Microbore de MASTERFLEX
con las bombas MASTERFLEX para asegurar un rendimiento óptimo.
El uso de otros tubos puede anular las garantías correspondientes.**

(2) Carga de cartuchos

Las superficies de oclusión de los cartuchos están colocadas de forma asimétrica alrededor del conjunto de rodillos de la bomba (vea la Figura 3), de modo que la orientación de la cabeza de la bomba pueda ser importante para ciertas aplicaciones.

Para conseguir pulsaciones paralelas sincronizadas y “bloques” de fluido a través de todos los canales, oriente los cartuchos en el mismo sentido.

Para conseguir un caudal casi sin pulsaciones, instale los cartuchos en sentidos alternativos y conecte tramos de tubos de igual longitud desde el lado de descarga de dos cartuchos alternativos unidos mediante un conector en Y según se muestra (vea la Figura 4). El diseño asimétrico de los cartuchos proporciona pulsaciones superpuestas a través de los dos tubos, que actúan para cancelar casi completamente la pulsación en el canal de caudal combinado.

NOTA: El caudal combinado será mayor que el caudal de un solo canal para cualquier tamaño de tubo y velocidad de la bomba dados.

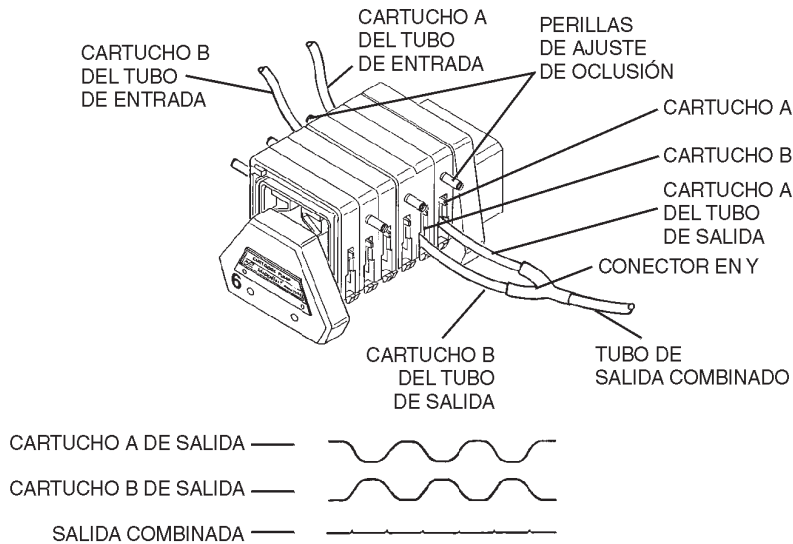


FIGURA 4 CONEXIÓN DE PULSACIONES REDUCIDAS

ADVERTENCIAS: La rotura del tubo puede rociar fluido procedente de la bomba. Tome las medidas apropiadas para proteger al operador y los equipos.



Apague el mando antes de quitar o instalar cartuchos. Se incluyen protectores de seguridad para reducir al mínimo el riesgo de que los dedos queden atrapados entre el mecanismo de los rodillos y la base del módulo. No obstante, tenga cuidado. No acerque los dedos a estas áreas.

PRECAUCIÓN: Use sólo las combinaciones de tubos/cartuchos/bombas definidas en las Tablas 1, 2 y 3. El uso de otras combinaciones puede dañar o causar un funcionamiento erróneo de la bomba.



Con el mando parado, siga este procedimiento para instalar los cartuchos.

1. Gire la perilla de ajuste de oclusión (vea la Figura 5) hacia la izquierda para abrirla al máximo. Este paso no es necesario cuando la oclusión está fijada en el ajuste de fábrica o si ya se fijó bien la oclusión durante el bombeo anterior.
2. Fije el retenedor del tubo según el tamaño del tubo (vea la Figura 7A) cuando use el cartucho grande. (Vea la Tabla 4). No es necesario ajustar el retenedor cuando se use el cartucho pequeño. (**Nota:** El botón del retenedor ubicado en el lado de la perilla de ajuste de oclusión del cartucho grande es un componente suelto y puede caerse. Para volver a montarlo, empujelo hacia adentro mientras aprieta el botón).
3. Seleccione el tubo y póngalo en el cartucho (vea la Figura 7B). Si se usa un conjunto de tubo Microbore (vea la Figura 6), coloque el collar contra el retenedor del tubo (vea la Figura 7C) en ambos lados del cartucho.

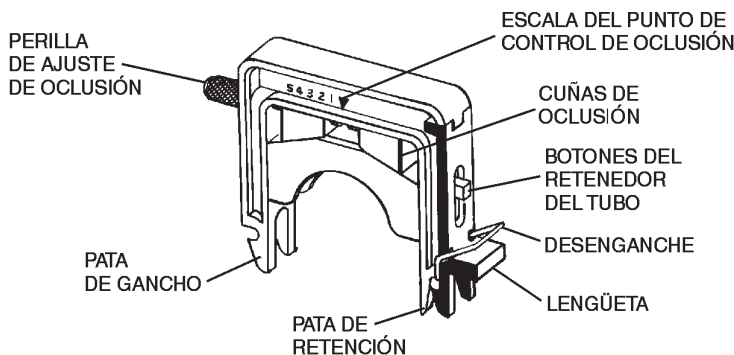


FIGURA 5 CONJUNTO DE CARTUCHO

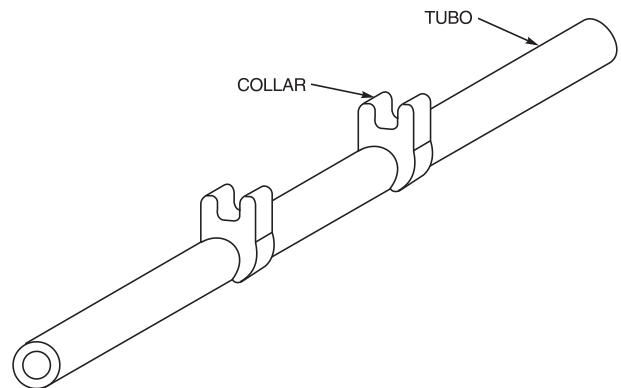


FIGURA 6 CONJUNTO DE TUBO MICROBORE

4. Conecte la pata de gancho del cartucho en una de las varillas de soporte mientras se sujeta el tubo entre las patas del cartucho y contra el retenedor del tubo (vea la Figura 7D).
5. Haga girar el cartucho con el tubo sobre el rotor y empuje la lengüeta hacia abajo (vea la Figura 5) hasta que se cierren los enganches (vea la Figura 7E). **Nota:** Apriete el cartucho hacia abajo según sea necesario en el lugar indicado en la Figura 7E para facilitar el enganche y desenganche.
6. Tire ligeramente del tubo en la salida y entrada para tensarlo cuando se use un tubo continuo. No es necesario tensar cuando se use un conjunto de tubo Microbore.
7. Fije el ajuste de oclusión (vea la sección de OPERACIÓN). Para un ajuste nominal con tubos MASTERFLEX, gire el tornillo de ajuste hasta que el borde interior de la cuña quede alineado a mitad de camino entre los números 3 y 4 de la etiqueta.

(3) Desmontaje del cartucho

Siga este procedimiento para descargar el cartucho.

1. Apague el mando.
2. Empuje hacia abajo el lado de enganche del cartucho (vea la Figura 7E) y tire de la pata de enganche hacia afuera para desenganchar de la varilla. El desenganche (vea la Figura 5) puede pulsarse hacia abajo como ayuda en este proceso según se desee.
3. Pivote el cartucho hacia arriba y desenganche la pata de enganche de la varilla y quite el cartucho.

(4) Bombeo bidireccional

Los fluidos pueden bombearse hasta los recipientes y desde los mismos invirtiendo el mando. En los mandos que no se puedan invertir, use tramos de tubo más largos y simplemente invierta la posición del cartucho cargado.

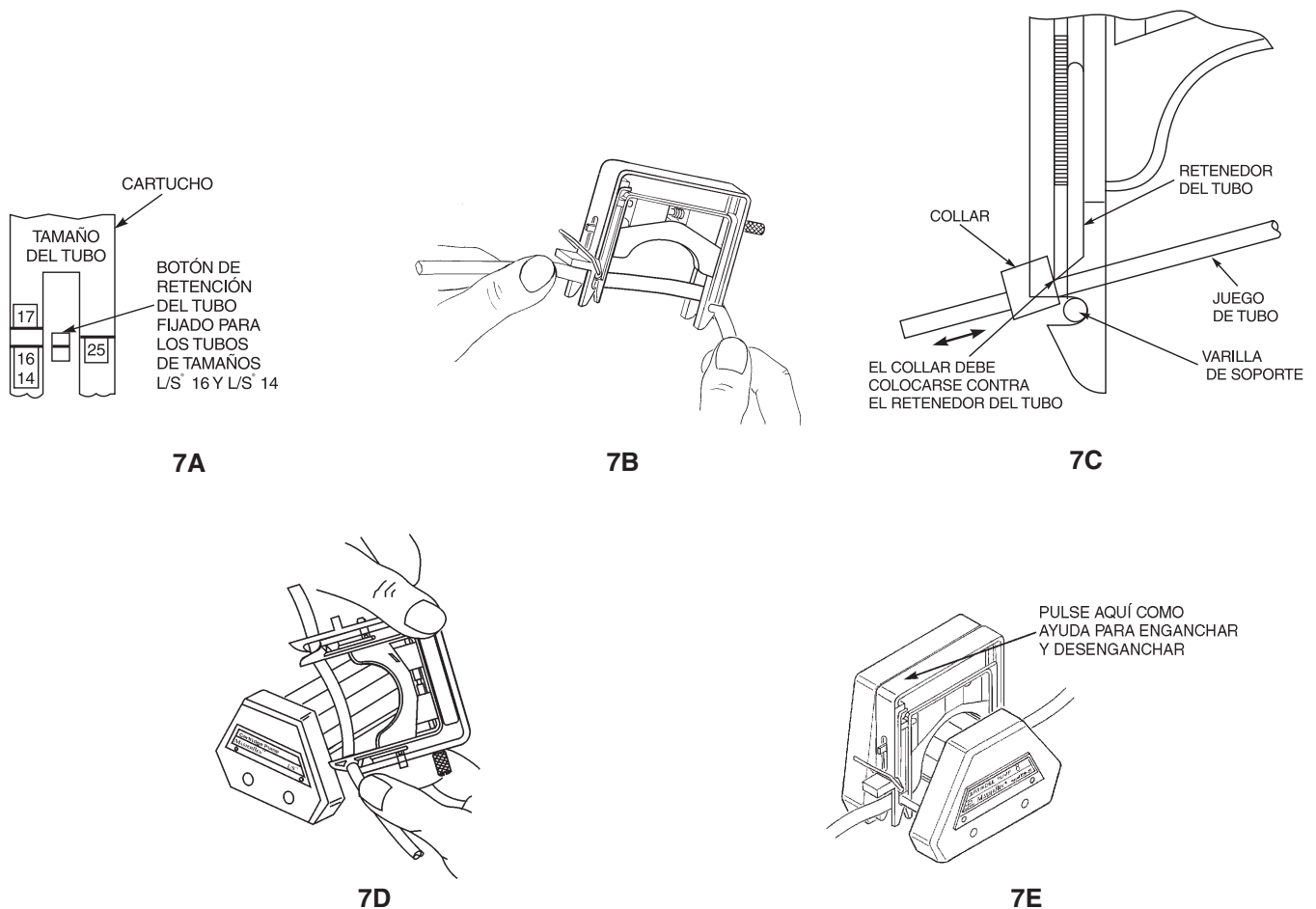


FIGURA 7 CARGA DE TUBOS Y CARTUCHOS

(5) Bombeo con parte del grupo de cartuchos

La bomba puede funcionar con un grupo parcial o un grupo completo de cartuchos o con parte del grupo de cartuchos. Hay una junta tórica elástica de fluoroelastómero de FKM en cada una de las varillas de metal de la bomba (vea la Figura 8) que sujeta los cartuchos en posición en la bomba. Estas juntas tóricas deben ajustarse de la forma siguiente. Si la bomba está cargada parcialmente con cartuchos, deslice las juntas tóricas a lo largo de las varillas, completamente hacia la parte delantera del cartucho más externo, para mantenerla en posición (observe la posición A, por ejemplo, en la Figura 8). Si la bomba está completamente cargada con cartuchos, deslice las juntas tóricas hacia la parte delantera de la bomba lo máximo posible (observe la posición B de la Figura 8). Cuando se usan modelos de velocidad reducida (07519-15, -25) y la bomba esté llena menos de la mitad llena de cartuchos, cargue los cartuchos en la mitad delantera de la bomba de modo que se puedan utilizar las juntas tóricas.

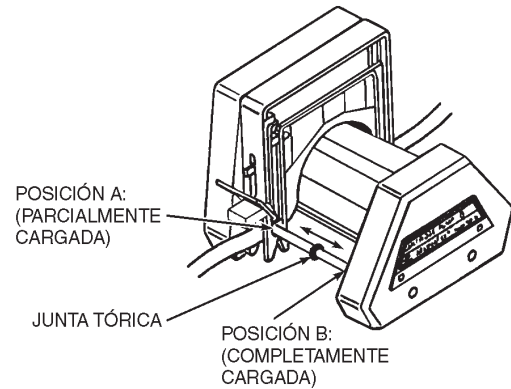


FIGURA 8 POSICIÓN DE LA JUNTA TÓRICA

OPERACIÓN

Esta sección describe los procedimientos para obtener el rendimiento deseado.

(1) Índices de pulsación relativos

El índice de pulsación relativo en la salida de la bomba depende de varios factores, incluido el número de rodillos en el rotor de la bomba, tamaño del cartucho y si los cartuchos están combinados.

El uso de la gama de oscilaciones observada en un medidor de caudal de tipo esfera como medida, los valores de pulsación relativos aproximados para cualquier tamaño de tubo y caudal se muestran en la tabla siguiente. La tabla está basada en el uso de una bomba MASTERFLEX® L/S® de tres rodillos como marca de referencia con un valor arbitrario de 10.

Tipo de bomba MASTERFLEX® L/S®	Cartucho pequeño	Cartucho grande
6 rodillos	4	4
8 rodillos	3	—
Cartuchos combinados de 6 rodillos	1,5	>1
Cartuchos combinados de 8 rodillos	<1	—

(2) Seleccione los tubos y cabezas de bomba

Use las Tablas 1, 2 y 3 para seleccionar el tubo, cartucho y cabeza de bomba para proporcionar el caudal necesario de un solo canal.

PRECAUCIONES: Use sólo las combinaciones de tubos/cartuchos/bombas definidas en las Tablas 1, 2 y 3. El uso de las demás combinaciones puede causar un funcionamiento erróneo o daños en la bomba.



La operación de las bombas a velocidades en exceso de 250 rpm puede producir el desgaste prematuro de los rodillos y tubos de las bombas.

TABLA 1 CAUDALES DE CARTUCHOS PEQUEÑOS—07519-85

Cabeza del mando	rpm de impulsión	rpm de la bomba	Unidades	JUEGO DE TUBO MICROBORE (diám. int. en mm)						TUBOS MASTERFLEX® L/S®	
				0,19	0,25	0,89	1,42	2,06	2,79	L/S® 13	L/S® 14
				CAUDALES							
07519-25 8 rodillos	1 600	0,2 120	µl/min ml/min	0,50 0,30	1,0 0,60	10 6,2	23 14	43 26	68 41	No es compatible	
07519-15 6 rodillos	1 600	0,2 120	µl/min ml/min	No es compatible						8,7 5,2	33 20
07519-20 8 rodillos	1 250	1 250	µl/min ml/min	2,8 0,70	5,2 1,3	52 13	120 29	220 54	340 85	No es compatible	
07519-10 6 rodillos	1 250	1 250	µl/min ml/min	No es compatible						40 10	160 39

TABLA 2 CAUDALES DE CARTUCHOS GRANDES—07519-75

Cabeza del mando	rpm de impulsión	rpm de la bomba	Unidades	TUBOS MASTERFLEX® L/S®			
				L/S® 14	L/S® 16	L/S® 25	L/S® 17
				CAUDALES			
07519-15 6 rodillos	1 600	0,2 120	µl/min ml/min	33 20	110 65	200 120	280 170
07519-10 6 rodillos	1 250	1 250	µl/min ml/min	160 39	520 130	960 240	1400 350

- NOTAS:** 1) El estiramiento indebido de los tubos puede reducir el caudal (vea la sección de CARGA DE CARTUCHOS).
2) Los modelos 07519-10 y 07519-20 operan a la misma velocidad que el mando. Los modelos 07519-15 y 07519-25 operan a un 1/5 de la velocidad del mando.

TABLA 3 TUBOS COMPATIBLES

Material de los tubos	*CONJUNTO DE TUBO MICROBORE (mm de diám. int.)			TUBOS MASTERFLEX® L/S®	
	0,19	0,25	0,89; 1,42; 2,06; 2,79	L/S® 13, 14, 16, 25	L/S® 17
Blando					
Silicona (platino)			X	X	X
Silicona (peróxido)				X	X
TYGON® de silicona				X	X
C-FLEX® (50 A)				X	X
Rígido					
BPT				X	
TYGON LFL				X	
NORPRENE® para alimentos (A 60 F)				X	
TYGON lab (R-3603)				X	
NORPRENE (A 60 G)				X	
TYGON para combustible (F-4040-A)				X	
PVC	X	X	X		
FKM			X		
SANTOPRENE®		X	X		

*Use sólo JUEGOS DE TUBOS MICROBORE especialmente diseñados con cartuchos (Figura 6).

(3) Seleccione la velocidad de la bomba

Seleccione el mando de velocidad fija o ajuste la velocidad del mando de velocidad variable para proporcionar un caudal nominal deseado dentro de la gama de rpm del rotor mostrada para el modelo de la bomba seleccionada.

(4) Fije los ajustes de oclusión en los cartuchos

PRECAUCIÓN: La oclusión excesiva puede ocasionar temperaturas altas en la bomba y la rotura prematura de tubos y rodillos. No fije la oclusión más pequeña de lo recomendado en la Tabla 4.



NOTA: Con los cartuchos grandes y pequeños, la escala identificada como “Mflex” proporciona una oclusión nominal para los tubos de precisión MASTERFLEX® L/S® en el ajuste No. 3–4. Con los cartuchos pequeños solamente, la escala identificada como “Micro” proporciona la oclusión nominal para los juegos de tubos Microbore de 0,9 mm de espesor de pared en el ajuste No. 3–4.

Con un sistema de cartuchos de canales múltiples, se puede afinar el caudal, sensibilidad de presión y duración de los tubos—incluso cuando la bomba esté en funcionamiento. No se pierde tiempo, y con velocidades de operación de hasta 600 rpm, se obtienen mayores caudales máximos con tubos del mismo tamaño.

La Figura 9A (cartucho grande y pequeño) muestra las cuñas ajustadas en el No. 3 de la escala del punto de control de oclusión para los tubos MASTERFLEX.

La Figura 9B (cartucho pequeño solamente) muestra las cuñas ajustadas en el No. 3–4 de la escala para los juegos de tubos Microbore.

La perilla de ajuste de oclusión (vea las Figuras 9A y 9B) controla un mecanismo de tornillo para mover las cuñas de oclusión. Una vez que se ajuste un cartucho al valor deseado para una cierta aplicación, no hay necesidad de reajustar. También puede registrar los ajustes y reproducirlos rápidamente más adelante.

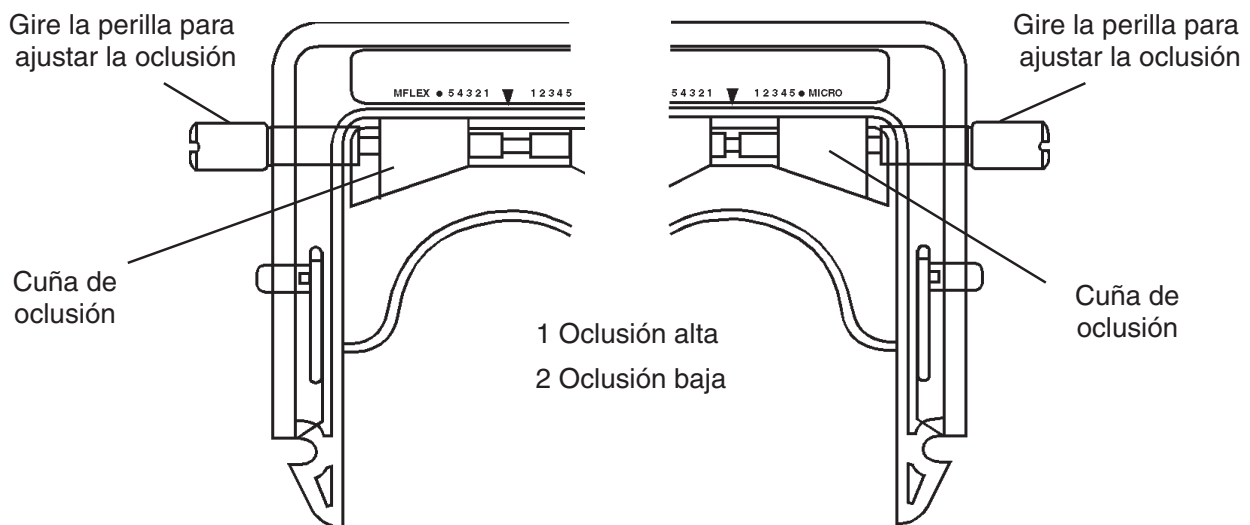


FIGURA 9A INDICACIONES DE OCLUSIÓN PARA LOS TUBOS MASTERFLEX

FIGURA 9B INDICACIONES DE OCLUSIÓN PARA LOS JUEGOS DE TUBOS MICROBORE

(a) Ajustes de oclusión normales

La tabla siguiente muestra los ajustes de oclusión apropiados para proporcionar un rendimiento satisfactorio para diversos tamaños de tubos. (Para ajustes de oclusión óptimos, vea la sección siguiente).

TABLA 4 AJUSTES DE OCLUSIÓN RECOMENDADOS

Tubo	Cartucho grande Escala Mflex	Cartucho pequeño	
		Escala Mflex	Escala Micro
Conjunto de tubos Microbore	No disponible	No disponible	No. 3 Escala Micro
Precisión MASTERFLEX® L/S®	No. 3–4 Escala Mflex	No. 3–4 Escala Mflex	No disponible

(b) Procedimiento de ajuste de oclusión

1. Seleccione el valor de oclusión recomendado de la tabla.
2. Gire la perilla de ajuste de oclusión para alinear el borde interior de la cuña blanca con el número de la escala. (El giro a la derecha aumenta la oclusión).

(c) Ajustes de oclusión optimizados

En algunas aplicaciones es necesario afinar más el ajuste de oclusión para variar el caudal para un cierto tubo, reducir las variaciones de caudal causadas por cambios de presión en el sistema o prolongar la duración del tubo.

1. Ajuste la cuñas de oclusión según se describe en la tabla anterior.
2. Refine este ajuste, dependiendo de sus objetivos:

Para prolongar la máximo la duración del tubo

Mientras se hace funcionar la bomba, reduzca simplemente el ajuste de oclusión fijado haciendo girar la perilla de ajuste de oclusión hacia la izquierda para mover las cuñas a un ajuste mayor de la escala (hacia el 5). Siga girando la perilla hacia la izquierda hasta que la disminución de caudal o la sensibilidad de la presión se haga inaceptable, a continuación gire la perilla ligeramente hacia la derecha.

Para reducir o eliminar la disminución de caudal con fluctuaciones de presión

Mientras se hace funcionar la bomba, alterne la contrapresión entre los valores esperados alto y bajo y aumente el valor de oclusión ajustado. Gire la perilla de ajuste de oclusión hacia la derecha para mover las cuñas a un número de escala inferior (hacia el 1) hasta que se reduzca al mínimo la disminución de caudal.

Para hacer un ajuste fino del caudal

Aumente o disminuya el valor de oclusión para variar el caudal.

(5) Sobrecarga de la bomba

Los modelos 07519-15 y 07519-25 tienen un embrague limitador de reajuste automático integrado para proteger la bomba y el mando en caso de una carga excesiva. Cuando se produzca una sobrecarga, el rotor de la bomba dejará de girar y el embrague producirá un ruido audible.

La capacidad del embrague es suficiente para impulsar la mayoría de las combinaciones de tamaños de tubos y materiales a cualquier velocidad de la bomba con un complemento máximo de canales operando. Algunos tubos rígidos de mayores tamaños, al bombear con ajustes de oclusión estrechos a mayores velocidades causarán una sobrecarga. Esto limitará el número de canales que pueden hacerse funcionar.

MANTENIMIENTO

No se necesita ningún mantenimiento. Limpie la bomba con un paño limpio y detergente suave. No sumerja nunca la bomba ni use un exceso de fluido.

Piezas de repuesto:

Llave hexagonal (9/64 en hexagonal)

Modelos 07519-10 y 20:	A-3502
Modelos 07519-15 y 25:	A-4376

Tornillos de montaje (8-32)

Modelos 07519-10 y 20:	B-1079-0407
Modelos 07519-15 y 25:	B-1079-0408

Patatas de nivelación

Modelos 07519-15 y 25 solamente:	A-4128-0002, (51 mm)
	A-4128-0003, (32 mm)
	A-4128-0004, (41 mm)

ESPECIFICACIONES

CABEZA DE BOMBA

Gama de velocidades:	ROTOR	MANDO
Modelos 07519-10 y 07519-20:	0 a 250 rpm	0 a 250 rpm
Modelos 07519-15 y 07519-25:	0 a 120 rpm	0 a 600 rpm
Gama de temperaturas de operación:	0° a 40°C	
Gama de temperaturas de almacenamiento:	-40°C a 60°C	
Nivel de ruido:	<70 dBA a 1 metro	
Construcción y resistencia química:	Caja de polisulfona reforzada de fibra de vidrio; conjunto de rotor de acero inoxidable con rodillos de plástico a base de PTFE, cojinetes de bolas sellados de acero inoxidable, piezas estructurales de acero inoxidable y protector de seguridad Buna N.	
Cumplimiento:	EN809 (Directiva de la UE de la máquina)	

CARTUCHOS

Construcción:	Bastidor duradero de policarbonato con componentes rellenos de nilón y acetal; lecho de oclusión relleno de polisulfona; perilla de ajuste de aluminio anodizado en tornillo de acero inoxidable, junta tórica de FKM.
Dimensiones:	
Grande:	102 mm de alto X 127 mm de ancho X 18,3 mm de espesor
Pequeño:	102 mm de alto X 127 mm de ancho X 9,1 mm de espesor

GARANTÍA

Use sólo tubos de precisión MASTERFLEX y conjuntos de tubo Microbore con bombas MASTERFLEX para asegurar un rendimiento óptimo. El uso de otros tubos puede anular las garantías correspondientes.

El fabricante garantiza que este producto no se desvía significativamente con respecto a las especificaciones publicadas. Si es necesario efectuar reparaciones o ajustes en el período de garantía, el problema será corregido de forma gratuita si no se debe al uso indebido o abuso por su parte según lo determine el fabricante. Existe la posibilidad de que se le facturen los costos de reparación fuera del período de garantía, o los resultantes del uso indebido o abuso del producto.

El período de garantía de este producto es dos (2) años a partir de la fecha de compra.

DEVOLUCIÓN DE PRODUCTOS

Para limitar cargos y retrasos, póngase en contacto con el vendedor o fabricante para obtener la autorización e instrucciones de envío antes de devolver el producto, ya sea durante o fuera del período de garantía. Al devolver el producto, indique la razón de la devolución. Para su protección, embale el producto cuidadosamente y asegúrelo contra los posibles daños o pérdida. Los daños resultantes de un embalaje indebido son responsabilidad suya.

ASISTENCIA TÉCNICA

Si tiene dudas sobre el uso de este producto, póngase en contacto con el fabricante o vendedor autorizado.

APÉNDICE A
TIPOS DE MANDOS DE BOMBA MASTERFLEX® L/S®
PARA USAR CON SISTEMAS DE BOMBAS DE CARTUCHOS

rpm Máximas	Potencia (W)	Par kg•cm	Tipo de mando
600	74,6	1,27	I
120	37,3	1,27	
600	37,3	0,635	II
100	74,6	2,54	III

NOTA: Compruebe las rpm máximas y la potencia del mando o use el par nominal para determinar el tipo de mando.

APÉNDICE B
CAPACIDAD DE CARGA DE LOS CARTUCHOS

Modelo 07519-20 (8 rodillos, sin reducción de velocidad)

Juego de tubos Microbore		No. máx. de cartuchos por tipo de mando		
		I	II	III
0,19; 0,25 mm de diám.	Blando	4	4	4
	Rígido	4	4	4
0,89 mm de diám.	Blando	4	4	4
	Rígido	4	3	4
1,42; 2,06 mm de diám.	Blando	4	4	4
	Rígido	4	2	4
2,79 mm de diám.	Blando	4	2	4
	Rígido	3	1	4

Modelo 07519-10 (6 rodillos, sin reducción de velocidad)

Tubos MASTERFLEX® L/S®		Tipo de mando		
		I	II	III
13	Blando	4	4	4
	Rígido	4	3	4
14	Blando	4	4	4
	Rígido	4	2	4
16	Blando	2	2	2
	Rígido	2	2	2
25	Blando	2	1	2
	Rígido	2	1	2
17	Blando	2	1	2

Modelo 07519-25 (8 rodillos, reducción de velocidad 5:1)

Juego de tubos Microbore		No. máx. de cartuchos para todos los mandos
0,19; 0,25; 0,89; 1,42 mm de diám.	Blando	12
	Rígido	12
2,06 mm de diám.	Blando	12
	Rígido	10
2,79 mm de diám.	Blando	12
	Rígido	7

Modelo 07519-15 (6 rodillos, reducción de velocidad 5:1)

Tubos MASTERFLEX® L/S®		Todos los mandos
13	Blando	12
	Rígido	12
14	Blando	12
	Rígido	10
16	Blando	6
	Rígido	6
25	Blando	6
	Rígido	4
17	Blando	4


NOTA: Vea la Tablas 1, 2 y 3 en lo que se refiere a compatibilidad de cartuchos/tubos/bombas.

INDICE

Titolo	Pagina
MISURE DI SICUREZZA	54
INTRODUZIONE	55
(1) Informazioni sugli impieghi	55
(2) Descrizione di carattere generale	55
MONTAGGIO	56
MESSA A PUNTO	57
(1) Selezione della cartuccia	57
(2) Caricamento della cartuccia	57
(3) Rimozione della cartuccia	59
(4) Pompaggio bidirezionale	59
(5) Pompaggio con batteria di cartucce parziale	60
FUNZIONAMENTO	60
(1) Frequenza relativa delle pulsazioni	60
(2) Selezione di tubi e teste pompanti	61
(3) Selezione della velocità della pompa	62
(4) Regolazione dell'occlusione nelle cartucce	62
(5) Sovraccarico della pompa	63
MANUTENZIONE	63
Ricambi necessari per la manutenzione	63
SPECIFICHE TECNICHE	64
GARANZIA	64
RESTITUZIONE DEI PRODOTTI	64
ASSISTENZA TECNICA	64
APPENDICE A — TIPI DI AZIONAMENTO DELLE POMPE MASTERFLEX® L/S®	65
APPENDICE B — CAPACITÀ DI CARICO DELLE CARTUCCE	65

POMPA PER LIQUIDI

C-FLEX, PHARMED, NORPRENE, TYGON — Marchio depositato della
SANTOPRENE — Marchio depositato della Exxon Mobil.

In questa pubblicazione il simbolo  indica che i marchi di fabbrica sono marchi depositati negli Stati Uniti e in altri paesi.

US & Canada only

Toll Free 1-800-MASTERFLEX | 1-800-637-3739

Outside US & Canada

1-847-549-7600 | 1-847-381-7050

*EN809 manufactured by:

Cole-Parmer Instrument Company

28W092 Commercial Avenue, Barrington, IL 60010

techinfo@masterflex.com | www.masterflex.com

MISURE DI SICUREZZA

ATTENZIONE:



la rottura dei tubi può causare lo spruzzo del fluido dalla pompa; prendere le dovute precauzioni per proteggere l'operatore e l'attrezzatura.

prima di montare o rimuovere le cartucce, spegnere l'azionamento; i dispositivi di sicurezza forniti riducono al minimo il rischio di avere le dita prese tra il meccanismo dei rulli e il basamento del modulo; tuttavia, per sicurezza, mantenere le dita a distanza.

USARE CAUTELA: *l'occlusione eccessiva può risultare in elevate temperature della pompa e nel malfunzionamento prematuro dei tubi e dei rulli; non regolare l'occlusione in modo che sia più stretta di quanto consigliato nella Tavola n° 4;*



usare solo le combinazioni di tubi/cartucce/pompe indicate nelle tavole 1, 2 e 3; l'uso di altre combinazioni può risultare nel malfunzionamento o in avarie della pompa;

il funzionamento della pompa a velocità superiori a 250 giri/min può risultare nell'usura prematura dei rulli e dei tubi.

Spiegazione dei simboli

ATTENZIONE!



Pericolo. Per la natura del pericolo e relative misure correttive, si rimanda al manuale di istruzione.

ATTENZIONE!



Rischio di schiacciamento. Mentre la pompa è in funzione, tenere le dita lontane dal rotore. Arrestare la pompa prima di caricare o scaricare la tubatura.



ATTENZIONE: RESTRIZIONI SULL'USO DEI PRODOTTI

Questi prodotti non sono progettati per apparecchiature che agiscono direttamente sul paziente e non sono intesi, tra gli altri, per usi medici e odontoiatrici. Di conseguenza non sono stati sottoposti all'approvazione della FDA, l'ente statunitense per gli alimenti e i farmaci.

INTRODUZIONE

Le istruzioni fornite in questo manuale si riferiscono a determinate funzioni e possono essere facilmente consultate direttamente nei relativi capitoli. Le appendici A e B elencano i tipi di azionamenti della pompa MASTERFLEX® L/S® che possono essere usati con questo sistema.

Teste pompanti

MODELLO	TIPO
Modello 07519-10	a 6 rulli, 2 canali grandi o 4 piccoli, senza riduzione di velocità
Modello 07519-20	a 8 rulli, 2 canali grandi o 4 piccoli, senza riduzione di velocità
Modello 07519-15	a 6 rulli, 6 canali grandi o 12 piccoli, riduzione di velocità 5:1
Modello 07519-25	a 8 rulli, 6 canali grandi o 12 piccoli, riduzione di velocità 5:1

Cartucce

MODELLO	TIPO
Modello 07519-75	Grande
Modello 07519-85	Piccolo

Con queste pompe a cartucce è possibile avere fino a 12 canali della pompa azionati simultaneamente con un flusso quasi privo di pulsazione. Inoltre, i sistemi di pompaggio includono le seguenti caratteristiche:

- riduzione di velocità 5:1 nei modelli 07519-15 e 07519-25 che consentono di avere portate estremamente basse;
- capacità di 12 cartucce nei modelli 07519-15 e 07519-25 che consentono l'erogazione simultanea dentro 12 contenitori separati con un'unica messa a punto ed un solo ciclo della pompa;
- progettazione a sei e otto rulli che riduce la pulsazione;
- eliminazione del "riflusso" e riduzione significativa della pulsazione appaiando cartucce ad occlusione sfasata;
- minima abrasione dei tubi grazie ai rulli a bassa frizione;
- i modelli 07519-15 e 07519-25 sono dotati di frizione di limite con azzeramento automatico incorporata che protegge la pompa e l'azionamento in caso di sovraccarico eccessivo.

(1) Informazioni sugli impieghi

I sistemi pompanti a cartucce a sei o otto rulli sono progettati per impieghi multicanale dove occorre avere una pulsazione ridotta e/o una regolazione precisa dell'occlusione per una varietà di flussi diversi in impieghi a bassa portata. I tubi indicati nella Tavola 3 possono essere usati per erogare da 0,6 µL/min a 350 mL/min.

(2) Descrizione di carattere generale

Ogni sistema a testa pompante (vedi Figura 1) si compone di una testa pompante multirullo e di due cartucce con tubi inseribili a scatto di due dimensioni diverse, ciascuna con regolazione individuale dell'occlusione. La progettazione a "cuneo" dell'occlusione consente di regolare la portata in modo preciso ed equilibrato.

Le teste pompanti sono dotate o di sei o di otto rulli. Tutti i modelli possono funzionare con una varietà di tubi. I modelli a sei rulli sono compatibili con la cartuccia grande e i tubi MASTERFLEX® L/S® a parete sottile, i modelli ad otto rulli sono compatibili con la cartuccia piccola e i tubi Microbore con parete di 0,9 mm (vedi le tavole 1, 2 e 3).

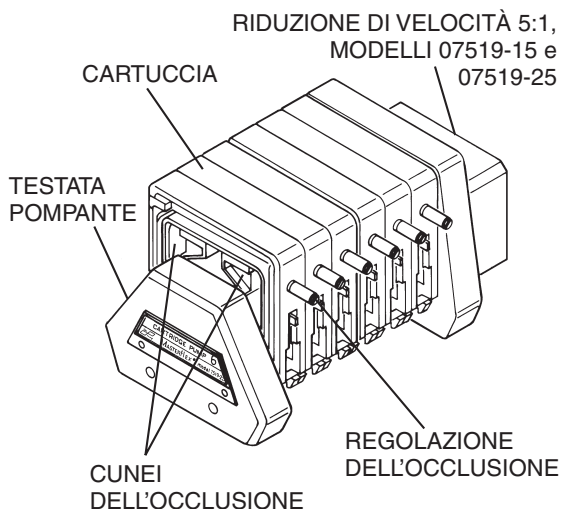
I sistemi a testa pompante hanno un percorso di occlusione disassato che consente di collegare insieme due cartucce montate in maniera opposta ottenendo una portata virtualmente priva di pulsazione e senza riflusso.

Sia le teste pompanti a sei rulli che quelle ad otto rulli sono disponibili in due dimensioni. Le teste pompanti corte accettano fino a 2 cartucce grandi o 4 piccole e funzionano alla stessa velocità dell'azionamento. Le teste pompanti lunghe accettano fino a 6 cartucce grandi o 12 piccole e funzionano ad un quinto della velocità dell'azionamento.

I modelli 07519-15 e 7519-25 sono dotati di una frizione di limite con azzeramento automatico incorporata che protegge la pompa e l'azionamento in caso di sovraccarico eccessivo. Se si verifica un sovraccarico, la frizione emette un rumore udibile per segnalare che il rotore della pompa non gira.

La testa pompante si monta rapidamente nella maggior parte degli azionamenti di pompa MASTERFLEX® L/S® esistenti (vedi le appendici A e B).

MODELLI 07519-15 e 07519-25



MODELLI 07519-10 e 07519-20

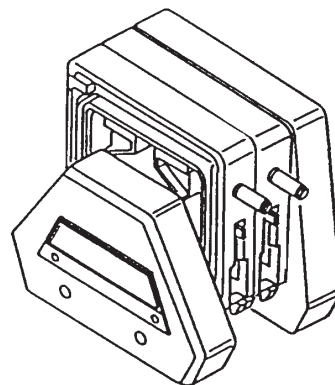


FIGURA 1 TESTE POMPANTI CON CARTUCCE

MONTAGGIO

Utensili necessari: una chiave esagonale lunga (in dotazione)

Montare la testa pompante in un azionamento MASTERFLEX® L/S® nel modo sottodescritto.

1. Collegare la pompa all'azionamento allineando il codolo nella testa pompante con la fessura nell'albero motore (vedi Figura 2).

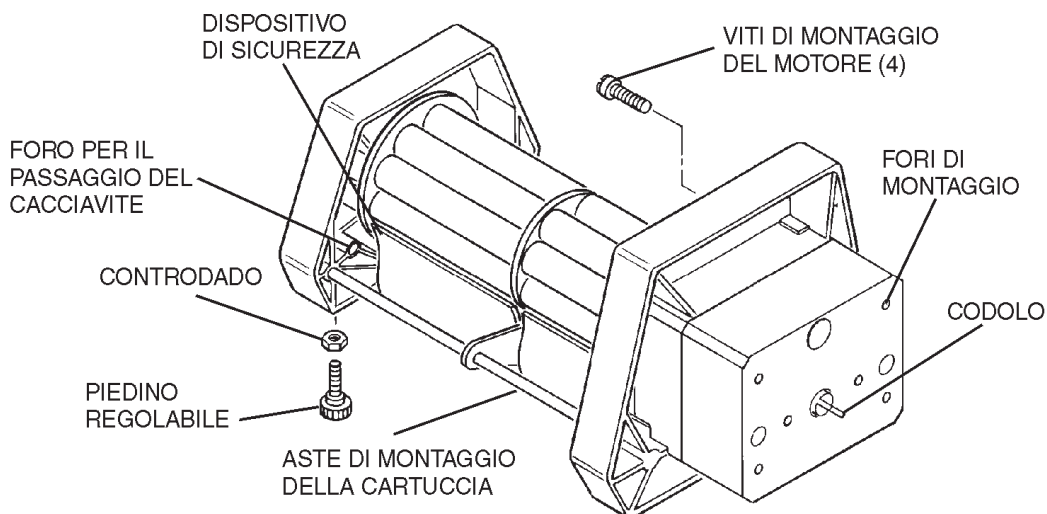


FIGURA 2 MONTAGGIO DELLA POMPA

2. Attaccare la testa pompante all'azionamento con le quattro viti (in dotazione) usando la chiave esagonale lunga (anch'essa in dotazione).
3. Se la testa pompante deve essere sostenuta, montare la vite di supporto della lunghezza idonea con il piedino di plastica e il controdamo (tre sono in dotazione). Regolare il piedino per portare la testa pompante a livello con l'azionamento. Serrare il controdamo contro la parte inferiore del corpo della pompa.

MESSA A PUNTO

Le cartucce di due dimensioni (18,29 mm e 9,14 mm di spessore — vedi Figura 3) consentono di usare tubi di una vasta gamma di dimensioni, come indicato nelle tavole 1 e 2.

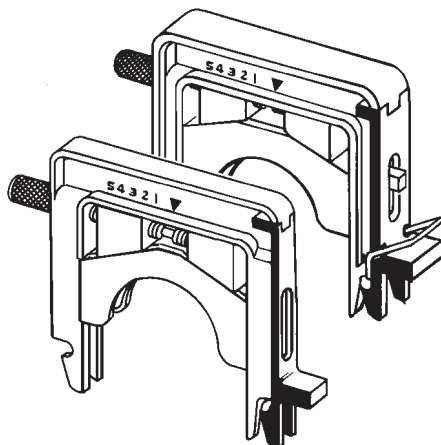


FIGURA 3 CARTUCCE PICCOLA E GRANDE

(1) Selezione della cartuccia

NOTA: queste teste pompanti sono progettate in modo da poter essere utilizzate con cartucce modello 07519-75 e 07519-85; non usare le cartucce modello 07519-70 o 07519-80 che sono intese per teste pompanti diverse.

A seconda della testa pompante utilizzata, si possono usare fino a sei cartucce grandi o dodici piccole con tubi. Tuttavia, esiste un limite, a seconda della potenza di alimentazione dell'azionamento e del carico della pompa. Per le portate massime dei tubi a 0 Bar, l'Appendice B indica la capacità delle cartucce a seconda della dimensione del tubo e del tipo di azionamento (per la descrizione dei tipi di azionamento, vedi l'Appendice A). Nella pompa a sei rulli è possibile mischiare cartucce di diverse dimensioni purché il carico totale non superi la capacità dell'azionamento.

La cartuccia piccola è stata progettata per l'uso con i tubi di precisione MASTERFLEX® di dimensione L/S® 13 e L/S® 14 in una o l'altra testa pompante a sei rulli e può accettare anche i tubi Microbore progettati specificamente (parete di 0,9 mm) se si utilizza in una delle teste pompanti a otto rulli.

La cartuccia grande è stata progettata per l'uso con i tubi di precisione MASTERFLEX® L/S® di dimensione L/S® 14, L/S® 16, L/S® 25 e L/S® 17. Può essere usata sia con l'una o l'altra testa pompante a sei rulli.

**Per le migliori prestazioni delle pompe MASTERFLEX,
usare solo i tubi di precisione MASTERFLEX e i tubi Microbore.
Usando altri tubi si rischia di invalidare le eventuali garanzie.**

(2) Caricamento della cartuccia

Le superfici di occlusione delle cartucce sono collocate in posizione asimmetrica intorno al gruppo rulli della pompa (vedi Figura 3), quindi per alcuni impieghi l'orientamento della pompa testante può essere importante.

Per ottenere pulsazioni parallele e sincronizzate e "cuscinetti" di fluido attraverso tutti i canali, orientare tutte le cartucce nello stesso senso.

Per far sì il flusso sia virtualmente privo di pulsazioni, montare le cartucce in senso alternato e, usando un connettore a Y, collegare insieme spezzoni di tubi della stessa lunghezza dal lato di scarico di due cartucce alternate, come mostrato nella Figura 4. Il design asimmetrico delle cartucce produce pulsazioni sovrapposte attraverso i due tubi, eliminando così quasi completamente le pulsazioni nel canale a flusso unico.

NOTA: la portata combinata sarà superiore alla portata del canale singolo per determinate dimensioni di tubi e velocità della pompa.

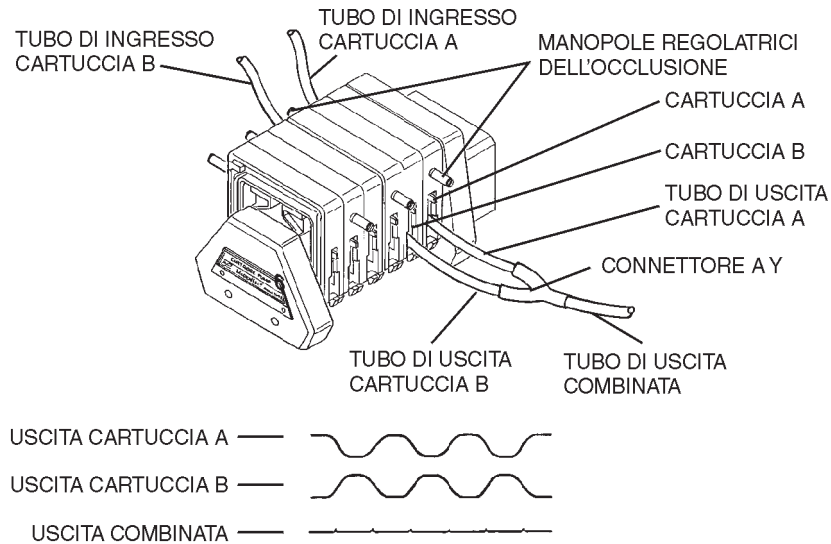


FIGURA 4 COLLEGAMENTO CON PULSAZIONE RIDOTTA

ATTENZIONE:



la rottura dei tubi può causare lo spruzzo del fluido dalla pompa; prendere le dovute precauzioni per proteggere l'operatore e l'attrezzatura;

prima di montare o rimuovere le cartucce, spegnere l'azionamento; i dispositivi di sicurezza forniti riducono al minimo il rischio di avere le dita prese tra il meccanismo dei rulli e il basamento del modulo; tuttavia, per sicurezza, mantenere le dita a distanza.

USARE CAUTELA:



usare solo le combinazioni di tubi/cartucce/pompe indicate nelle tavole 1, 2 e 3; l'uso di altre combinazioni può risultare nel malfunzionamento o in avarie della pompa.

Con l'azionamento fermo, montare le cartucce attenendosi alle seguenti istruzioni.

1. Girare la manopola regolatrice dell'occlusione in senso antiorario fino ad ottenere la massima apertura (vedi Figura 5). Questa operazione non è necessaria quando l'occlusione è regolata secondo l'impostazione di fabbrica o se l'occlusione è stata già regolata correttamente durante un'operazione di pompaggio precedente.
2. Se si utilizza una cartuccia grande, regolare il fermo del tubo secondo la dimensione del tubo stesso (vedi Figura 7A). (Vedi Tavola 4.) Se si usa una cartuccia piccola non occorre regolare il fermo. (**Nota:** il pulsante del fermo, situato sul lato della manopola regolatrice dell'occlusione nella cartuccia grande, è un componente sciolto e può cadere; per rimontarlo, tenere il pulsante premuto in dentro e spingerlo di nuovo in posizione).
3. Selezionare il tubo e collocarlo nella cartuccia (vedi Figura 7B). Se si usa un insieme di tubo Microbore (vedi Figura 6), inserire il collare in su contro il fermo del tubo (vedi Figura 7C) da entrambi i lati della cartuccia.

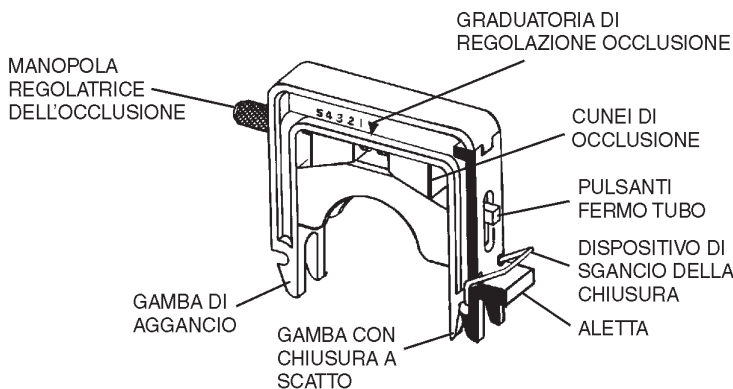


FIGURA 5 ASSIEME CARTUCCIA

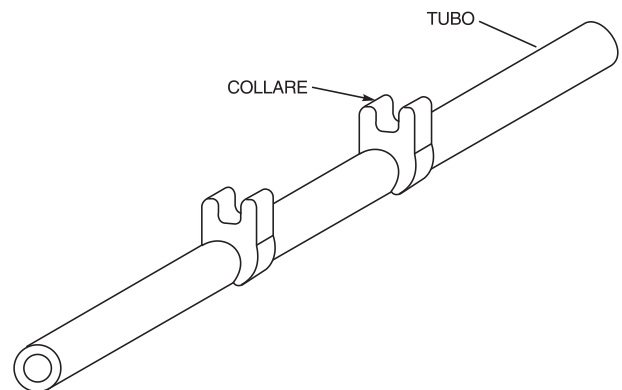


FIGURA 6 ASSIEME TUBO MICROBORE

4. Tenendo il tubo tra le gambe della cartuccia e contro il fermo del tubo, attaccare la gamba di aggancio della cartuccia ad una delle aste di supporto (vedi Figura 7D).
5. Spostare la cartuccia con il tubo sopra il rotore e premere in basso sull'aletta (vedi Figura 5) finché la chiusura non si chiude con uno scatto (vedi Figura 7E). **Nota:** premere la cartuccia quanto basta, come indicato nella Figura 7E per facilitare l'aggancio e lo sgancio.
6. Se si usa una tubazione continua, tirare gentilmente il tubo presso l'uscita e l'entrata per rimuovere il gioco. Con i tubi Microbore questa operazione non è necessaria.
7. Regolare l'impostazione dell'occlusione (vedi il capitolo sul FUNZIONAMENTO). Per regolare i tubi MASTERFLEX secondo il valore nominale, girare la vite regolatrice fino a quando il bordo interno del cuneo non sia allineato in un punto intermedio tra i valori n° 3 e n°4 dell'etichetta.

(3) Rimozione della cartuccia

Per rimuovere la cartuccia attenersi alle seguenti istruzioni.

1. Spegner l'azionamento.
2. Spingere in giù sul lato della chiusura della cartuccia (vedi Figura 7E) e tirare in fuori la gamba della chiusura per sganciarla dall'asta. Per facilitare l'operazione, premere il dispositivo di sgancio della chiusura (vedi Figura 5).
3. Girare la cartuccia verso l'alto, sganciare la gamba di aggancio dall'asta e rimuovere la cartuccia.

(4) Pompaggio bidirezionale

I fluidi possono essere pompati dentro i contenitori o fuori da essi invertendo l'azionamento. Negli azionamenti che non possono essere invertiti, basta usare spezzoni di tubo più lunghi e invertire la cartuccia caricata.

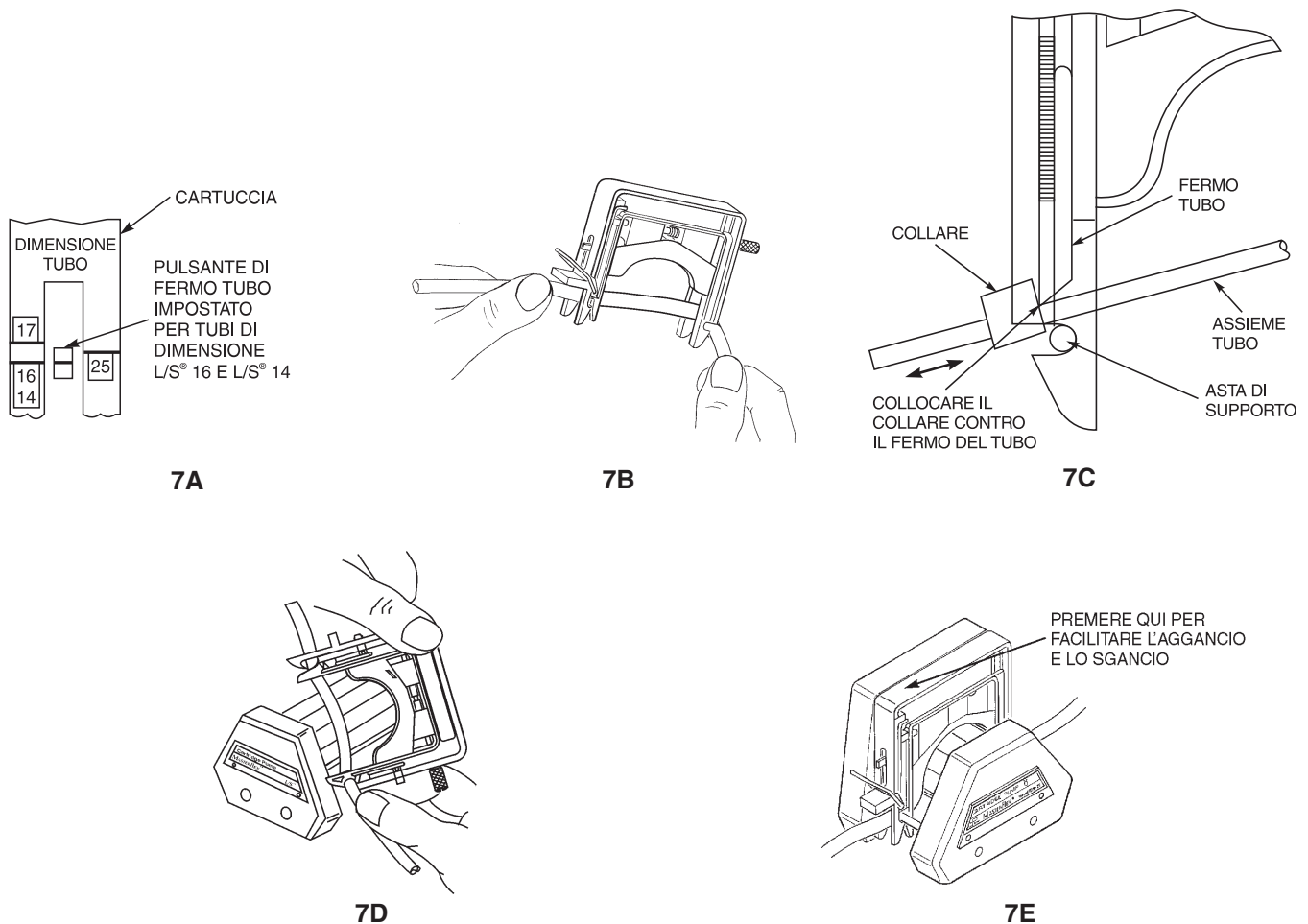


FIGURA 7 CARICAMENTO DEL TUBO E DELLA CARTUCCIA

(5) Pompaggio con batteria di cartucce parziale

La pompa può essere utilizzata con una batteria di cartucce completa o parziale. Su ognuna delle due aste metalliche si trova una guarnizione circolare elastica in fluoroelastomero FKM (vedi Figura 8) che tiene le cartucce in posizione nella pompa. Le guarnizioni devono essere regolate come segue: se la pompa ha un carico di cartucce parziale, spostare le guarnizioni in su lungo le aste contro la parte anteriore della cartuccia più esterna per mantenerla in posizione (notare, per esempio, la posizione A nella Figura 8); se la pompa ha un carico di cartucce completo, spostare le guarnizioni il più possibile verso la parte anteriore della pompa (notare la posizione B nella Figura 8). Se si usano modelli a velocità ridotta (07519-15, 25) e la pompa ha un carico di cartucce inferiore alla metà della batteria di cartucce completa, caricare le cartucce nella metà anteriore della pompa per poter utilizzare le guarnizioni elastiche.

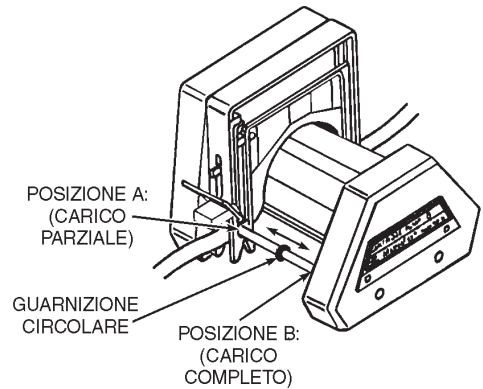


FIGURA 8 POSIZIONE DELLE GUARNIZIONI CIRCOLARI

FUNZIONAMENTO

Questo capitolo spiega come regolare l'occlusione per ottenere le prestazioni desiderate.

(1) Frequenza relativa delle pulsazioni

La frequenza relativa delle pulsazioni dell'erogazione della pompa dipende da vari fattori, inclusi il numero dei rulli nel rotore della pompa, la dimensione della cartuccia e l'appaiamento o meno delle cartucce.

Usando come misura la gamma dell'oscillazione osservata con un flussometro di tipo a sfera, calcolare i valori approssimativi della pulsazione relativa per un tubo e di una data misura come mostrato nella tabella che segue. La tabella si basa sull'uso di una pompa MASTERFLEX® L/S® a tre rulli, come punto di riferimento con un valore arbitrario di 10.

Tipo di pompa MASTERFLEX® L/S®	Cartuccia piccola	Cartuccia grande
a 6 rulli	4	4
a 8 rulli	3	—
a 6 rulli, cartucce appaiate	1,5	>1
a 8 rulli, cartucce appaiate	<1	—

(2) Selezione di tubi e teste pompanti

Per selezionare il tubo, la cartuccia e la testa pompante idonei per la portata necessaria in un canale unico, servirsi delle tavole 1, 2 e 3.

USARE CAUTELA: usare solo le combinazioni di tubi/cartucce/pompe indicate nelle tavole 1, 2 e 3; l'uso di altre combinazioni può risultare nel malfunzionamento o in avarie della pompa;



il funzionamento della pompa a velocità superiori a 250 giri/min può risultare nell'usura prematura dei rulli e dei tubi.

TAVOLA 1 PORTATA DI CARTUCCE PICCOLE—07519-85

Testa pompante	Giri/minuto dell'azionamento	Giri/minuto della pompa	Unità	TUBI MICROBORE (DI mm)						TUBI MASTERFLEX® L/S®	
				0,19	0,25	0,89	1,42	2,06	2,79	L/S® 13	L/S® 14
				PORTATE							
07519-25 a 8 rulli	1 600	0,2 120	µL/min mL/min	0,50 0,30	1,0 0,60	10 6,2	23 14	43 26	68 41	Incompatibile	
07519-15 a 6 rulli	1 600	0,2 120	µL/min mL/min	Incompatibile						8,7 5,2	33 20
07519-20 a 8 rulli	1 250	1 250	µL/min mL/min	2,8 0,70	5,2 1,3	52 13	120 29	220 54	340 85	Incompatibile	
07519-10 a 6 rulli	1 250	1 250	µL/min mL/min	Incompatibile						40 10	160 39

TAVOLA 2 PORTATA DI CARTUCCE GRANDI—07519-75

Testa pompante	Giri/minuto dell'azionamento	Giri/minuto della pompa	Unità	TUBI MASTERFLEX® L/S®			
				L/S® 14	L/S® 16	L/S® 25	L/S® 17
				PORTATE			
07519-15 a 6 rulli	1 600	0,2 120	µL/min mL/min	33 20	110 65	200 120	280 170
07519-10 a 6 rulli	1 250	1 250	µL/min mL/min	160 39	520 130	960 240	1400 350

NOTE: 1) lo stiramento inidoneo dei tubi può risultare in una portata ridotta (vedi CARICAMENTO DELLA CARTUCCIA);
2) i modelli 07519-10 e 07519-20 funzionano alla stessa velocità dell'azionamento; i modelli 07519-15 e 07519-25 funzionano a 1/5 della velocità dell'azionamento.

TAVOLA 3 TUBI COMPATIBILI

Materiale tubo	*TUBI MICROBORE (DI mm)			TUBI MASTERFLEX® L/S®	
	0,19	0,25	0,89; 1,42; 2,06; 2,79	L/S® 13, 14, 16, 25	L/S® 17
Soffice					
Silicio (platino)			X	X	X
Silicio (perossido)				X	X
Silicio TYGON®				X	X
C-FLEX® (50 A)				X	X
Rigido					
BPT				X	
TYGON LFL				X	
Alimenti NORPRENE® (A 60 F)				X	
Laboratorio TYGON (R-3603)				X	
NORPRENE (A 60 G)				X	
Carburante TYGON (F-4040-A)				X	
PVC	X	X	X		
FKM			X		
SANTOPRENE®		X	X		

*Con le cartucce, usare solo TUBI MICROBORE progettati specificamente (Figura 6).

(3) Selezione della velocità della pompa

Selezionare un azionamento a velocità fissa o regolare la velocità dell'azionamento a velocità variabile in modo da ottenere la portata nominale voluta entro la gamma di velocità di giri al minuto del rotore indicata per il modello di pompa prescelto.

(4) Regolazione dell'occlusione nelle cartucce

USARE CAUTELA: l'occlusione eccessiva può risultare in elevate temperature della pompa e nel malfunzionamento prematuro dei tubi e dei rulli; non regolare l'occlusione in modo che sia più stretta di quanto consigliato nella Tavola n° 4.



NOTA: sia per le cartucce grandi che per quelle piccole, nella graduatoria denominata "Mflex", la regolazione dell'occlusione nominale dei tubi di precisione MASTERFLEX® L/S® può essere impostata ai valori n°3 – n°4; per le cartucce piccole solamente, nella graduatoria denominata "Micro", la regolazione dell'occlusione nominale dei tubi Microbore da 0,9 mm può essere impostata ai valori n°3 – n°4.

Con un sistema a cartucce multicanale, la portata, la sensibilità alla pressione e la durata dei tubi possono essere messi a punto— anche mentre la pompa è in funzione. Non c'è perdita di tempo e, con velocità d'esercizio che arrivano a 600 giri al minuto, si ottiene una portata massima superiore con tubi della stessa dimensione.

La Figura 9A (cartucce grandi e piccole) mostra i cunei regolati sul valore n°3 della graduatoria di regolazione dell'occlusione dei tubi MASTERFLEX.

La Figura 9B (cartuccia piccola) mostra i cunei regolati sui valori n°3 – n°4 della graduatoria per i tubi Microbore.

La manopola regolatrice dell'occlusione (vedi le figure 9A e 9B) aziona un meccanismo a vite per spostare i cunei dell'occlusione. Una volta regolata la cartuccia al punto desiderato per un particolare impiego, non occorre regolarla di nuovo. Come alternativa, si può prendere nota dei valori impostati per riprodurli facilmente in seguito.

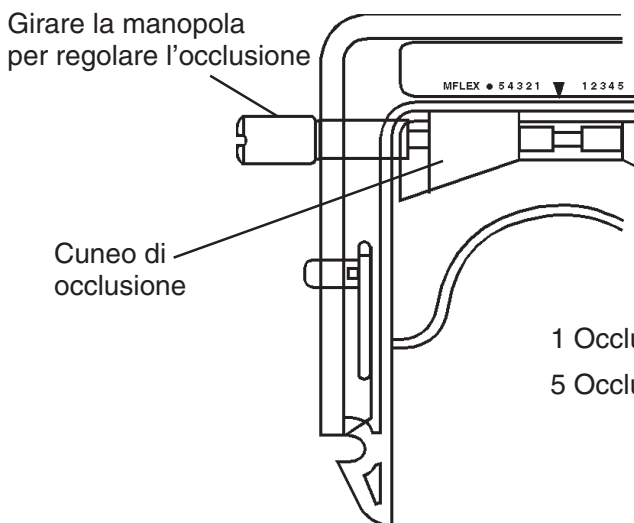


FIGURA 9A INDICAZIONI DELL'OCCLUSIONE DEI TUBI MASTERFLEX

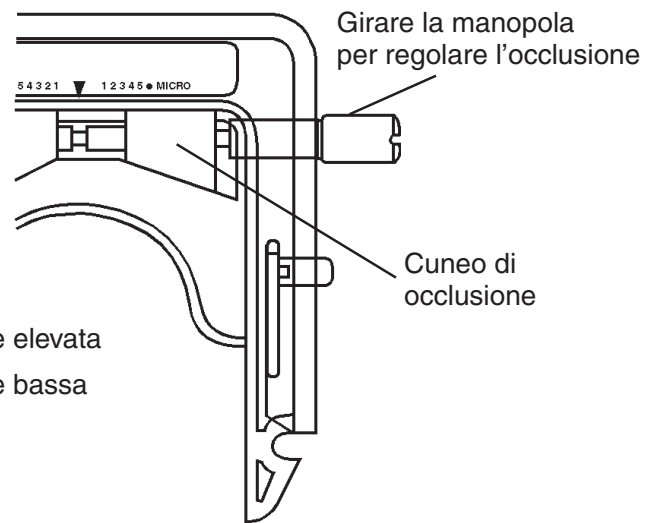


FIGURA 9B INDICAZIONI DELL'OCCLUSIONE DEI TUBI MICROBORE

(a) Regolare valori di impostazione dell'occlusione

La tavola che segue mostra i valori dell'occlusione idonei per ottenere prestazioni soddisfacenti di tubi di varie dimensioni (per i valori ottimali, attenersi alle istruzioni che seguono).

TAVOLA 4 VALORI DI REGOLAZIONE DELL'OCCLUSIONE CONSIGLIATI

Tubi	Cartucce grandi graduatoria Mflex	Cartucce piccole	
		Graduatoria Mflex	Graduatoria Micro
Tubi Microbore	N/A	N/A	n°3 Graduatoria Micro
Tubi di precisione MASTERFLEX®-L/S®	n°3 – n°4 Graduatoria Mflex	n°3 – n°4 Graduatoria Mflex	N/A

(b) Istruzioni per l'impostazione dei valori dell'occlusione

1. Dalla tavola, selezionare il valore consigliato per regolare l'occlusione.
2. Girare la manopola regolatrice dell'occlusione per allineare il bordo interno del cuneo bianco con il valore nella graduatoria (la rotazione in senso orario aumenta l'occlusione).

(c) Messa a punto di precisione dell'impostazione dei valori dell'occlusione

Per alcuni impieghi occorre mettere a punto con precisione la regolazione dell'occlusione per variare la portata di un particolare tubo, ridurre le variazioni di flusso dovute alla variazione della pressione di sistema oppure per aumentare la durata dei tubi.

1. Regolare i cunei dell'occlusione secondo le indicazioni della tavola precedente.
2. Mettere a punto con precisione la regolazione a seconda delle esigenze del progetto.

Per la durata ottimale dei tubi

con la pompa in funzione, ridurre semplicemente il valore di regolazione già impostato girando la manopola regolatrice dell'occlusione in senso antiorario per spostare i cunei ad un valore più alto nella graduatoria (verso il n°5); continuare a girare la manopola in senso antiorario finché la riduzione della portata o la sensibilità alla pressione diventano inaccettabili; poi girare leggermente la manopola in senso orario.

Per ridurre od eliminare la diminuzione della portata con le fluttuazioni di pressione

con la pompa in funzione, alternare la contropressione tra i valori alti e bassi previsti ed aumentare il valore dell'occlusione impostato; girare la manopola regolatrice dell'occlusione in senso orario per spostare i cunei ad un valore inferiore nella graduatoria (verso il n°1) fino a quando la diminuzione della portata è ridotta al minimo.

Per la regolazione di precisione della portata

per variare il flusso, aumentare o diminuire il valore dell'occlusione.

(5) Sovraccarico della pompa

I modelli 07519-15 e 07519-25 sono dotati di una frizione di limite con azzeramento automatico incorporata che protegge la pompa e l'azionamento in caso di sovraccarico eccessivo. Se si verifica un sovraccarico, il rotore della pompa smette di girare e la frizione emette un rumore udibile.

La frizione ha una capacità sufficiente ad azionare la maggioranza delle combinazioni di dimensione e materiale di tubi a qualsiasi velocità della pompa con un'intera serie di canali in funzione. Ad alte velocità, alcuni tubi rigidi di grandi dimensioni pompanti attraverso un'occlusione regolata secondo valori che la rendono ristretta, creano una condizione di sovraccarico che limita il numero di canali che possono essere in funzione.

MANUTENZIONE

La manutenzione non è necessaria. Pulire la pompa con panno pulito e un detersivo leggero. Non immergerla mai e non usare fluidi in quantità eccessive.

Ricambi necessari per la manutenzione:

Chiave esagonale (9/64 pollici esagonale)

Modelli 07519-10 e 20:	A-3502
Modelli 07519-15 e 25:	A-4376

Viti di montaggio (8-32)

Modelli 07519-10 e 20:	B-1079-0407
Modelli 07519-15 e 25:	B-1079-0408

Piedini di livellamento

modelli 07519-15 e 25 solamente:	A-4128-0002, (51 mm)
	A-4128-0003, (32 mm)
	A-4128-0004, (41 mm)

SPECIFICHE TECNICHE

TESTA POMPANTE

	ROTORE	AZIONAMENTO
Gamma di velocità:		
Modelli 07519-10 e 07519-20:	da 0 a 250 giri/min	da 0 a 250 gir/min
Modelli 07519-15 e 07519-25:	da 0 a 120 giri/min	da 0 a 600 giri/min
Gamma della temperatura d'esercizio:	da 0 °C a 40 °C	
Gamma della temperatura di stoccaggio:	da -40 °C a 60 °C	
Livello di rumore:	<70 dBA @ 1 metro	
Costruzione e resistenza a prodotti chimici:	alloggiamento in polisolfone rinforzato con fibre di vetro; gruppo rotore in acciaio inox con rulli in plastica a base di PTFE, cuscinetti a sfera in acciaio inossidabile sigillati, elementi strutturali in acciaio inox e dispositivo di sicurezza Buna N.	
Compliance:	EN809 (Direttiva Macchine EU)	

CARTUCCE

Costruzione	struttura durevole in policarbonato con componenti in nylon rinforzato e fibre acetali, letto di occlusione rinforzato con polisolfone, manopola regolatrice in alluminio anodizzato e vite in acciaio inox, guarnizione circolare FKM.	
Dimensioni:		
Grande:	102 X 127 X 18,3 mm	
Piccola:	102 X 127 X 9,1 mm	

GARANZIA

Per le migliori prestazioni delle pompe MASTERFLEX, usare solo tubi di precisione MASTERFLEX e insieme di tubi Microbore. Usando altri tubi si rischia di invalidare le eventuali garanzie.

Il produttore garantisce che questo prodotto non differisce in maniera significativa dalle specifiche tecniche pubblicate. In caso siano necessarie riparazioni o regolazioni entro il periodo di tempo in cui la garanzia è in vigore, il problema verrà corretto senza addebito purché, a giudizio del produttore, non sia dovuto ad uso improprio o eccessivo del prodotto. Il costo delle riparazioni al di fuori del periodo in cui la garanzia è in vigore o i costi risultanti dall'uso improprio o eccessivo del prodotto potranno essere a carico del cliente.

Il periodo di garanzia per questo prodotto è di due (2) anni dalla data di acquisto.

RESTITUZIONE DEI PRODOTTI

Al fine di limitare i costi e i ritardi, prima di rendere il prodotto, rivolgersi al rivenditore o al produttore per ottenere l'autorizzazione e le istruzioni per la spedizione, sia entro che oltre i limiti del periodo in cui la garanzia è in vigore. Nel rendere il prodotto, indicare la ragione della restituzione. Per sicurezza, imballare il prodotto con cura e assicurarlo contro eventuali danni o perdite. Il cliente è ritenuto responsabile dei danni derivanti da imballaggio non idoneo.

ASSISTENZA TECNICA

Per ulteriori informazioni sull'uso di questo prodotto, rivolgersi al produttore o al rivenditore autorizzato.

APPENDICE A
TIPI DI AZIONAMENTO DELLE POMPE MASTERFLEX® L/S®
PER USO CON I SISTEMI DI POMPA A CARTUCCIA

Max giri/min.	Potenza (W)	Coppia kg*cm	Tiippo di azionamento
600	74,6	1,27	I
120	37,3	1,27	
600	37,3	0,635	II
100	74,6	2,54	III

NOTA: per determinare il tipo di azionamento, verificare i max giri/min e la potenza dell'azionamento oppure usare la coppia nominale.

APPENDICE B
CAPACITÀ DI CARICO DELLE CARTUCCE

Modello 07519-20 (a 8 rulli, senza riduzione di velocità)

Tubi Microbore		Max numero di cartucce, tipo di azionamento		
		I	II	III
0,19; 0,25 mm diametro	soffice	4	4	4
	rigido	4	4	4
0,89 mm diametro	soffice	4	4	4
	rigido	4	3	4
1,42; 2,06 mm diametro	soffice	4	4	4
	rigido	4	2	4
2,79 mm diametro	soffice	4	2	4
	rigido	3	1	4

Modello 07519-10 (a 6 rulli, senza riduzione di velocità)

Tubi MASTERFLEX® L/S®		Tutti gli azionamenti		
		I	II	III
13	soffice	4	4	4
	rigido	4	3	4
14	soffice	4	4	4
	rigido	4	2	4
16	soffice	2	2	2
	rigido	2	2	2
25	soffice	2	1	2
	rigido	2	1	2
17	soffice	2	1	2

Modello 07519-25 (a 8 rulli, riduzione di velocità 5:1)

Tubi Microbore		Max numero di cartucce, tutti gli azionamenti
0,19; 0,25; 0,89; 1,42 mm diametro	soffice	12
	rigido	12
2,06 mm diametro	soffice	12
	rigido	10
2,79 mm diametro	soffice	12
	rigido	7

Modello 07519-15 (a 6 rulli, riduzione di velocità 5:1)

Tubi MASTERFLEX® L/S®		Tipo di azionamento
13	soffice	12
	rigido	12
14	soffice	12
	rigido	10
16	soffice	6
	rigido	6
25	soffice	6
	rigido	4
17	soffice	4

NOTA: per la compatibilità delle cartucce, dei tubi e delle pompe, consultare le Tavole 1, 2 e 3.