

MOUNTING INSTRUCTIONS

07013-06, -07, -08, -09

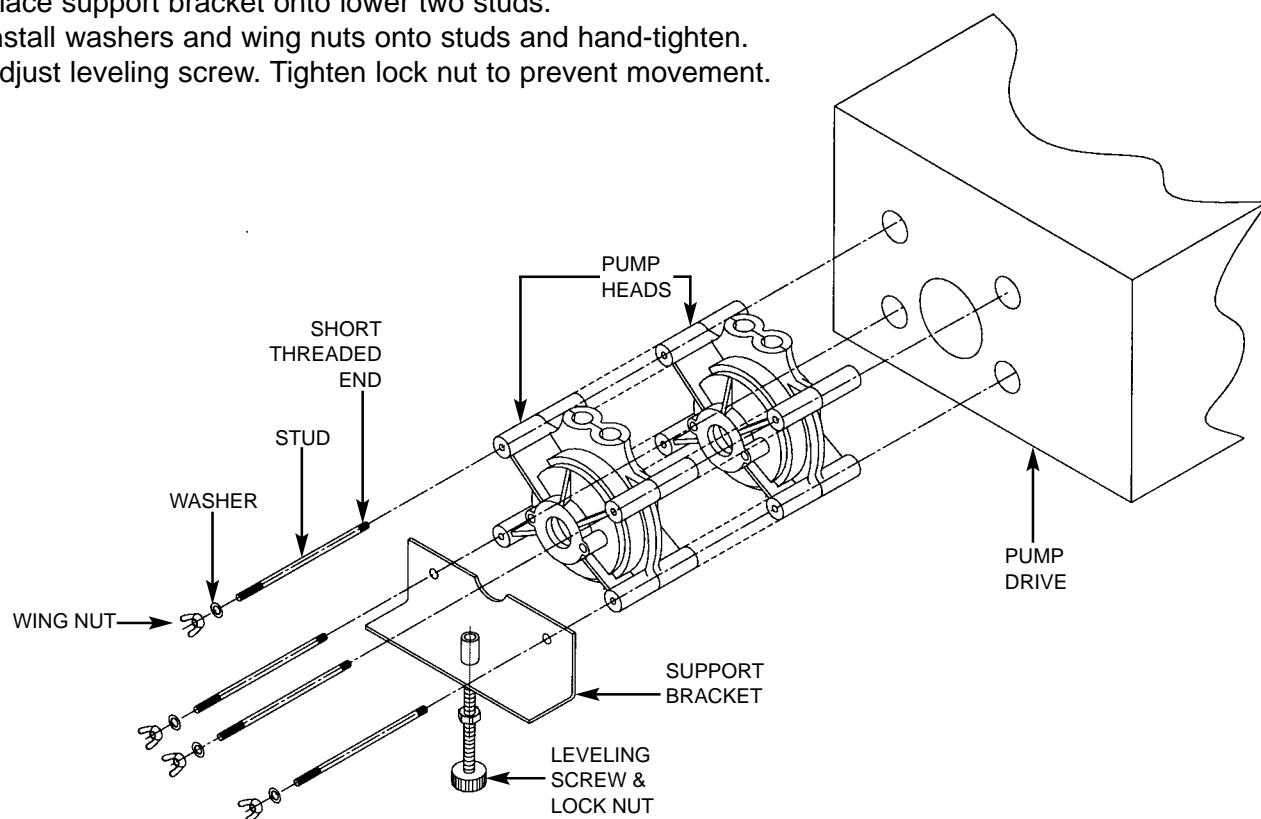
Mounting Instructions for three or four MASTERFLEX® L/S® STANDARD and L/S® EASY-LOAD® PUMP HEADS.

Use only MASTERFLEX precision tubing with MASTERFLEX Pumps to ensure optimum performance. Use of other tubing may void applicable warranties.

Mounting Kit Catalog No.	Number of Pump Heads	Description
07013-06	3	Plated steel studs
07013-07	4	Plated steel studs
07013-08	3	Stainless steel studs
07013-09	4	Stainless steel studs

Assembly Instructions:

- 1) Install studs into pump drive (short threaded end into drive).
- 2) Slide the pumps into place on the studs.
Note: Install tubing into MASTERFLEX® L/S® Standard Pumps (before mounting).
- 3) Place support bracket onto lower two studs.
- 4) Install washers and wing nuts onto studs and hand-tighten.
- 5) Adjust leveling screw. Tighten lock nut to prevent movement.



Trademarks bearing the ® symbol in this publication are registered in the U.S. and in other countries.

Printed in U.S.A.
030602

A-1299-0510
Edition 03