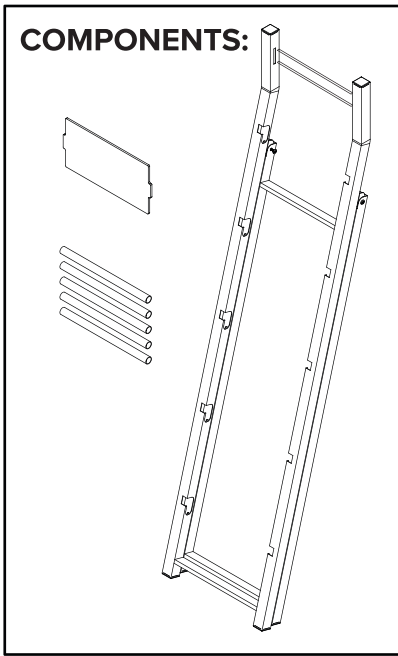


DISPLAY ASSEMBLY GUIDE

COMPONENTS:



SPECS:

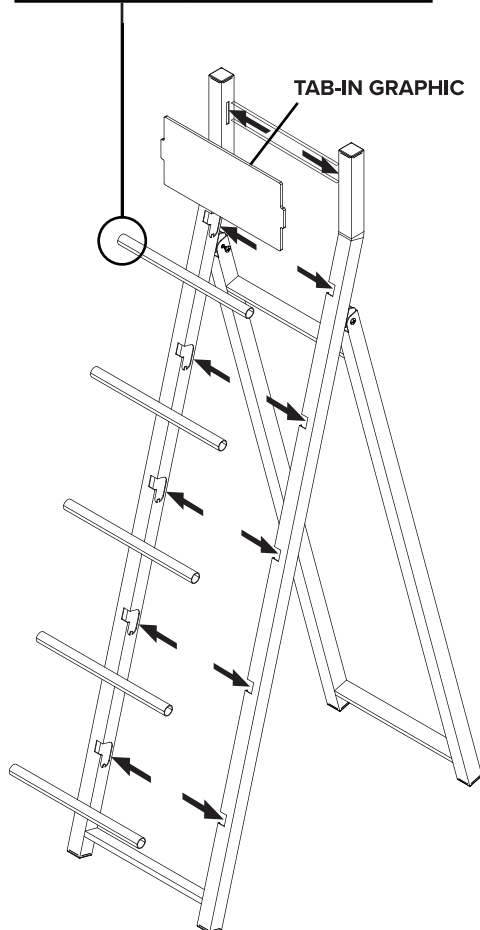
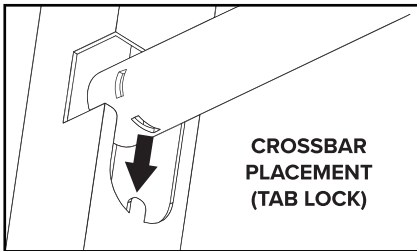
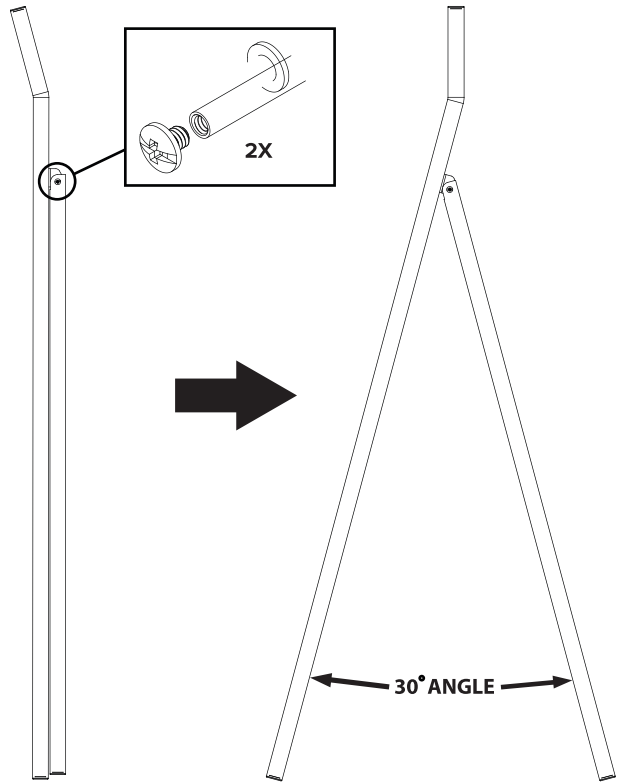
Dimensions (Assembled)
Approx. 58"(H)×26"(W)×24"(D)

Weight (Empty)
Approx. 22–26 lb.

Approx. Max Tubing Length per Spool:
75–125 ft. (varies by tubing OD and wall thickness)

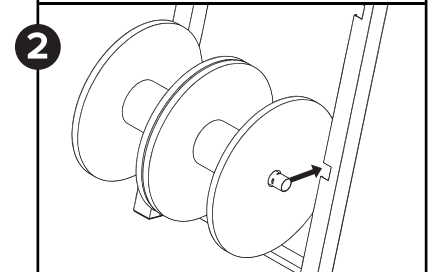
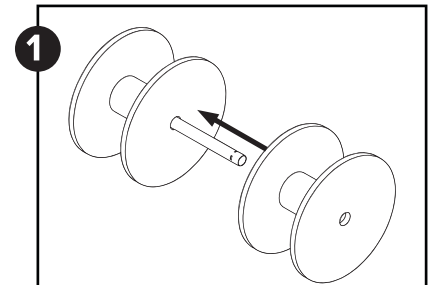
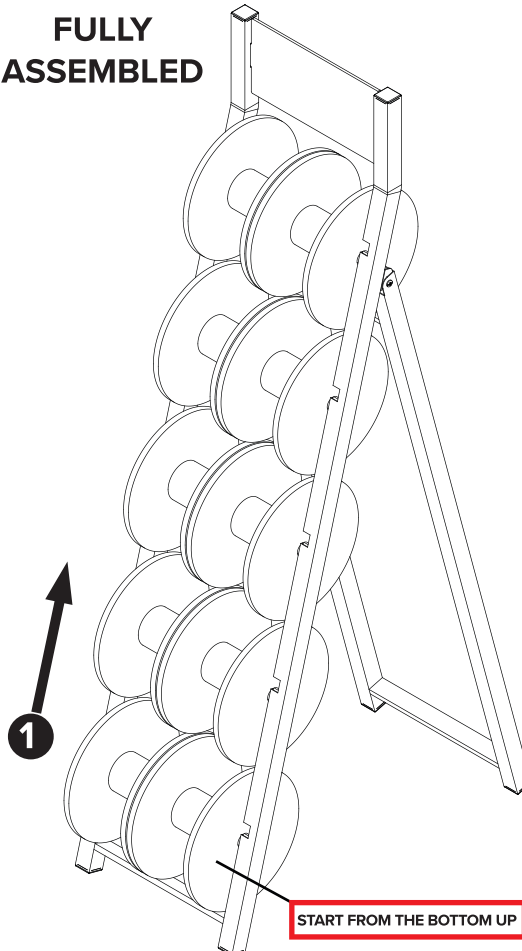
Material
Powder-coated cold rolled steel (CRS) with a digitally printed expanded PVC header

Tube Cutter Attachment
Please find the magnet attachment in your accessory pouch. It can be freely applied to any area of your display and used to hold the included tube cutter. Avoid placing it near credit cards, watches, or jewelry, as the magnet may interfere with or damage those items.

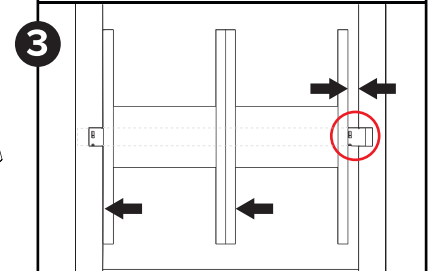


12" SPOOL - PRODUCT LOAD

FULLY ASSEMBLED



ANGLE IN ONE SIDE, THEN INSERT OTHER END



MOVE SPOOLS TO ONE SIDE FOR FINGER SPACE TO LOCK IN CROSSBAR SLOTS INTO TABS