

## Pure-Fit® SIB®

### Smooth Inner Bore Systems

#### Seamless Transitions

Pure-Fit® SIB® is a smooth inner bore (SIB) hose-barb connector that provides a seamless transition between tubing and fittings throughout the fluid path. Pure-Fit SIB eliminates entrapment and leak points that can occur with traditional assembly systems. The unique internal design eliminates voids or dead space that can lead to turbulence or stagnation of fluid flow creating the potential for bacterial growth.

#### Maintain Fluid Integrity

Available in both animal-free polypropylene (PP) and polyvinylidene fluoride (PVDF) materials, Pure-Fit® SIB® provides a seamless transition that maintains complete fluid integrity when used with Saint-Gobain's Sani-Tech®, C-Flex® and PharMed® flexible tubing.

#### Leak-Free Connections

Pure-Fit® SIB® fittings are fully compatible with Pure-Fit and BarbLock® retainers that provide complete 360° compression for leak-free connections.

#### Biocompatibility

Pure-Fit® SIB® fitting systems Meets the requirements of USP <88> Class VI, and/or USP <87>, and/or ISO 10993-5 and have been physically tested to meet the most demanding applications and stringent test protocols.

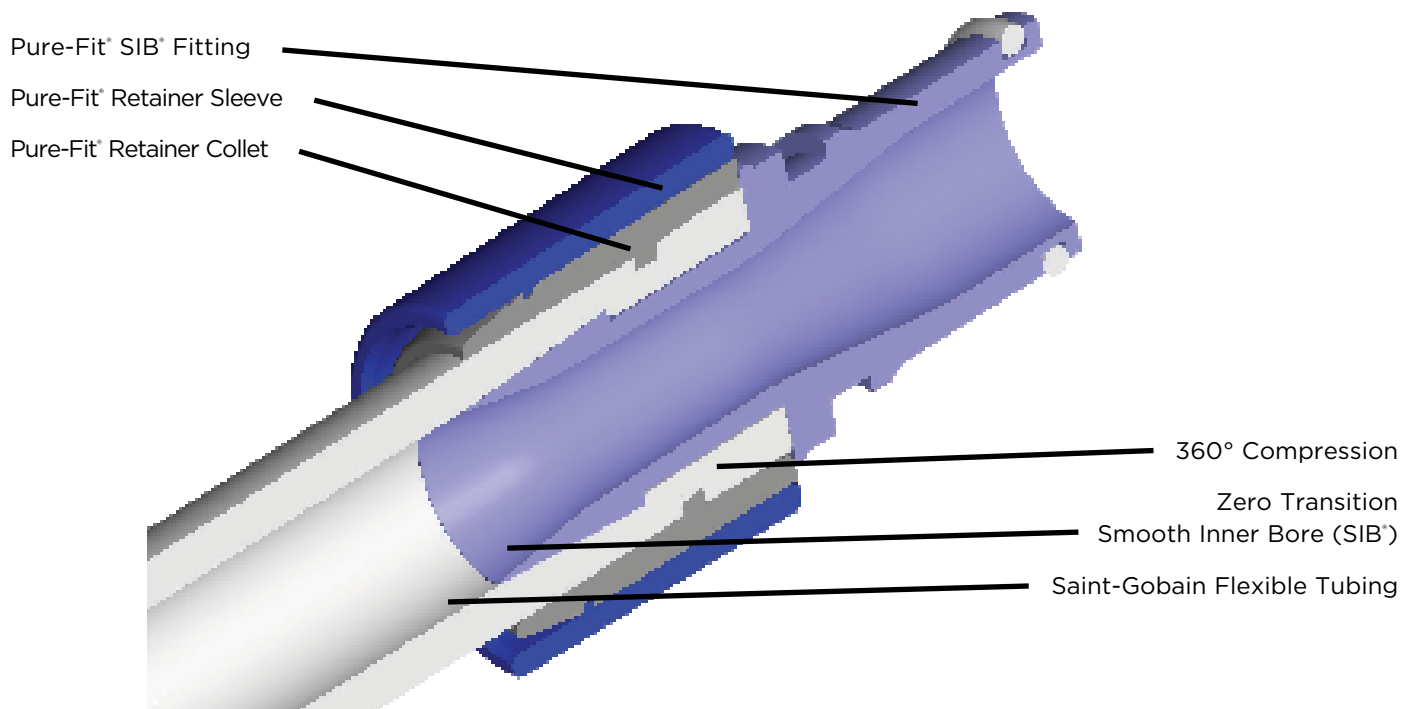
#### Features/Benefits

- Eliminates entrapment and leak points that occur with traditional fitting systems
- PP is gamma stable
- PVDF is autoclaveable and gamma stable
- All materials completely animal-free and BPA-free
- Manufactured and packaged in a certified clean room
- Meets the requirements of USP <88> Class VI, and/or USP <87>, and/or ISO 10993-5
- Validation guide available

#### Typical Applications

- Biopharmaceutical manufacturing
- Media hydration
- Filtration
- Cell culture/harvest
- Product sampling
- Downstream activities

## Pure-Fit® SIB Structure



## Pure-Fit® SIB Material and Description

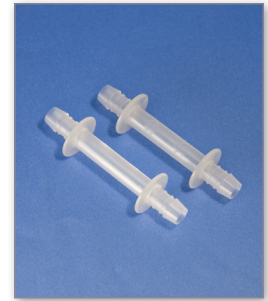
Tri-Clamp Series			
Part Number		Description	I.D. inches (mm)
PP	PVDF		
PFLS250PPAF	PFLS250PVDF	Tri-Clamp	1/4 (6.4)
PFLS375PPAF	PFLS375PVDF	Tri-Clamp	3/8 (9.5)
PFLS500PPAF	PFLS500PVDF	Tri-Clamp	1/2 (12.7)
PFLS750PPAF	PFLS750PVDF	Tri-Clamp	3/4 (19.1)
PFLS875PPAF		Tri-Clamp	7/8 (22.2)
PFLS1000PPAF		Tri-Clamp	1 (25.4)



Mini Series			
Part Number		Description	I.D. inches (mm)
PP	PVDF		
PFMS125PPAF	PFMS125PVDF	Mini	1/8 (3.2)
PFMS250PPAF	PFMS250PVDF	Mini	1/4 (6.4)
PFMS312PPAF	PFMS312PVDF	Mini	5/16 (8.0)
PFMS375PPAF	PFMS375PVDF	Mini	3/8 (9.5)
PFMS500PPAF	PFMS500PVDF	Mini	1/2 (12.7)
PFMS625PPAF	PFMS625PVDF	Mini	5/8 (15.9)



<b>Connector Series</b>			
Part Number		Description	I.D. inches (mm)
PP	PVDF		
PFC125PPAF	PFC125PVDF	Connector	1/8 (3.2)
PFC187PPAF	PFC187PVDF	Connector	3/16 (4.8)
PFC250PPAF	PFC250PVDF	Connector	1/4 (6.4)
PFC312PPAF	PFC312PVDF	Connector	5/16 (8.0)
PFC375PPAF	PFC375PVDF	Connector	3/8 (9.5)
PFC500PPAF	PFC500PVDF	Connector	1/2 (12.7)



<b>Reducer Series</b>			
Part Number		Description	I.D. inches (mm)
PP	PVDF		
PFR062X125PPAF	PFR062X125PVDF	Reducer	1/16 x 1/8 (1.6 x 3.2)
PFR062X250PPAF	PFR062X250PVDF	Reducer	1/16 x 1/4 (1.6 x 6.4)
PFR125X187PPAF	PFR125X187PVDF	Reducer	1/8 x 3/16 (3.2 x 4.8)
PFR125X250PPAF	PFR125X250PVDF	Reducer	1/8 x 1/4 (3.2 x 6.4)
PFR187X312PPAF	PFR187X312PVDF	Reducer	3/16 x 5/16 (4.8 x 8.0)
PFR187X375PPAF	PFR187X375PVDF	Reducer	3/16 x 3/8 (4.8 x 9.5)
PFR250X375PPAF	PFR250X375PVDF	Reducer	1/4 x 3/8 (6.4 x 9.5)
PFR250X500PPAF	PFR250X500PVDF	Reducer	1/4 x 1/2 (6.4 x 12.7)
PFR375X500PPAF	PFR375X500PVDF	Reducer	3/8 x 1/2 (9.5 x 12.7)



<b>Wye Series</b>			
Part Number		Description	I.D. inches (mm)
PP	PVDF		
PFY125PPAF	PFY125PVDF	Wye	1/8 (3.2)
PFY250PPAF	PFY250PVDF	Wye	1/4 (6.4)
PFY312PPAF	PFY312PVDF	Wye	5/16 (8.0)
PFY375PPAF	PFY375PVDF	Wye	3/8 (9.5)
PFY500PPAF	PFY500PVDF	Wye	1/2 (12.7)



<b>Tee Series</b>			
Part Number		Description	I.D. inches (mm)
PP	PVDF		
PFT125PPAF	PFT125PVDF	Tee	1/8 (3.2)
PFT187PPAF	PFT187PVDF	Tee	3/16 (4.8)
PFT250PPAF	PFT250PVDF	Tee	1/4 (6.4)
PFT312PPAF	PFT312PVDF	Tee	5/16 (8.0)
PFT375PPAF	PFT375PVDF	Tee	3/8 (9.5)
PFT500PPAF	PFT500PVDF	Tee	1/2 (12.7)
PFT750PPAF	PFT750PVDF	Tee	3/4 (19.1)



<b>Cross Series</b>			
Part Number		Description	I.D. inches (mm)
PP	PVDF		
PFX125PPAF	PFX125PVDF	Cross	1/8 (3.2)
PFX187PPAF	PFX187PVDF	Cross	3/16 (4.8)
PFX250PPAF	PFX250PVDF	Cross	1/4 (6.4)
PFX375PPAF	PFX375PVDF	Cross	3/8 (9.5)
PFX500PPAF	PFX500PVDF	Cross	1/2 (12.7)



<b>Elbow Series</b>			
Part Number		Description	I.D. inches (mm)
PP	PVDF		
PFE250PPAF	PFE250PVDF	Elbow	1/4 (6.4)
PFE375PPAF	PFE375PVDF	Elbow	3/8 (9.5)
PFE500PPAF	PFE500PVDF	Elbow	1/2 (12.7)



<b>Retainer Series</b>			
Part Number		Description	I.D. inches (mm)
PP	PVDF		
PF135062PPAF-AL	PF135062PVDF-AL	Retainer	1/16 (1.6)
PF135125PPAF-AL	PF135125PVDF-AL	Retainer	1/8 (3.2)
PF135187PPAF-AL	PF135187PVDF-AL	Retainer	3/16 (4.8)
PF135250PPAF	PF135250PVDF	Retainer	1/4 (6.4)
PF135312PPAF-AL	PF135312PVDF-AL	Retainer	5/16 (8.0)
PF135375PPAF	PF135375PVDF	Retainer	3/8 (9.5)
PF135500PPAF	PF135500PVDF	Retainer	1/2 (12.7)
PF135750PPAF-AL	PF135750PVDF-AL	Retainer	3/4 (19.1)



<b>Pure-Fit SIB Typical Physical Properties</b>		
Property	PP inches (mm)	PVDF inches (mm)
Tensile Strength psi (MPa) ASTM D638-91	4,450 (31.0)	6,300 (43.3)
Flexible Modulus, psi (MPa) ASTM D790-92	140,000 (966.0)	290,000 (2,000.0)
Hardness (Shore D) ASTM D2240-91	85	78
Heat Deflection ASTM D648-82		
°F (°C) @66psi	178 (81)	266 (130)
°F (°C) @264psi	-	221 (105)
Water Absorption (%) ASTM D570-81	0.01	0.03
Max. Recommended Working Temperature °F (°C)	200 (93)	275 (135)

**PURE-FIT® SIB® IS NOT INTENDED FOR USE AS AN IMPLANT MATERIAL**

BarbLock®, C-Flex®, PharMed®, Pure-Fit®, SIB®, and Sani-Tech® are registered trademarks.

**Uncontrolled Document - for the controlled version of this document please visit [www.biopharm.saint-gobain.com](http://www.biopharm.saint-gobain.com)**

**Contact us today for:**

**Consultations • Samples • Quotes • Orders • Technical Service**

**For registered access to Saint-Gobain Product Validation Summaries, [CLICK HERE](#)**



Saint-Gobain Life Sciences

11590 US-31  
Williamsburg, MI 49690  
Tel: (231) 264-0101

[www.biopharm.saint-gobain.com](http://www.biopharm.saint-gobain.com)

**IMPORTANT:** It is the user's responsibility to ensure the suitability and safety of Saint-Gobain Life Sciences products for all intended uses and that the materials to be used comply with all applicable medical regulatory requirements. Saint-Gobain Life Sciences assumes no responsibility for any product failures that occur due to misuse of the materials it provides arising out of the design, fabrication or application of the products into which the materials are incorporated.

**WARRANTY:** For a period of 12 months from the date of first sale, Saint-Gobain Life Sciences warrants this product to be free of defects in materials and workmanship. Our only obligation will be to replace any portion proving defective, or at our option, to refund the purchase price there of.

SAINT-GOBAIN LIFE SCIENCES DISCLAIMS ALL IMPLIED WARRANTIES OF MERCHANTABILITY AND FITNESS FOR A PARTICULAR PURPOSE.