

# MASTERFLEX®

## Masterflex® Single-Use Gamma Irradiated Sampling Bottle Assemblies

Safely transfer, sample, and  
store biopharmaceutical  
products and reagents

- Secure, single-piece cap/tubing assembly eliminates contamination and product loss due to loose connections
- Assemblies are gamma irradiated—eliminates labor and validation costs associated with assembly and cleaning

No more worries about product contamination and loss when you use these Masterflex bottle assemblies to transfer, sample, and store your product and reagents. The cap assembly includes a seamless liner with premolded TPE fill and vent tubes to create an unobstructed fluid path. The 24" (61 cm) fill tube is plugged at the terminal end to maintain assembly sterility until use. Vent tube has a 25-mm diameter, 0.2-micron PVDF disc filter to prevent contamination, and the vent filter is hydrophobic to protect against loss of product during filling or emptying. The risk of bacterial entrapment and contamination are eliminated with the one-piece liner because it forms an elastomeric seal between the cap and bottle rim.

The Puri-Flex™ biopharm tubing used in this bottle assembly meets USP Class VI, FDA 21 CFR 177.2600, and ISO 10993 Part (S) 4/5 requirements. This sealable/weldable TPE tubing has excellent gas barrier properties, low permeability, and is resistant to acids and alkaline. The smooth inner surface reduces platelet adhesion and protein binding.

Bottle assemblies are assembled in an ISO Class 7 cleanroom and are gamma irradiated up to 40 kGy. Each assembly is packaged in a single bag with cleanroom/gamma dot on label.



1-800-637-3739

Masterflex.com

## Specifications

Bottle material: PETG

Filter material: hydrophobic PVDF

Size: 25 mm

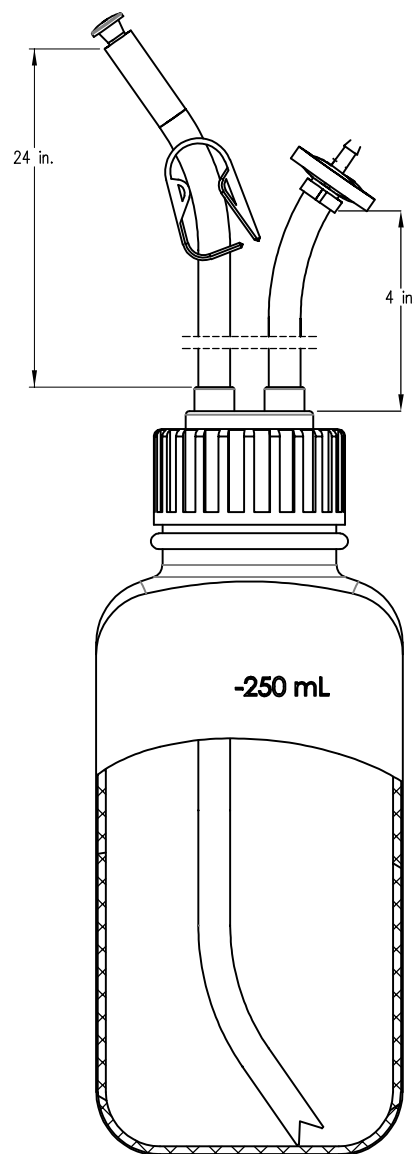
Pore size: 0.2 µm

Inlet/outlet: 1/8" hose barb

Radiation sterilized: yes, gamma irradiated



Dimensional drawing  
(shown on 250-mL bottle)



What's included: Clear PETG square bottle, 38- or 53-mm cap depending on capacity, Puri-Flex TPE tube/linear assembly with 1/8" ID x 1/4" OD tubing, and 0.2-micron PVDF filter.

Bottle Volume	Cap Size	Catalog Number
125 mL	38 mm	<a href="#">MK-95644-20</a>
250 mL	38 mm	<a href="#">MK-95644-22</a>
500 mL	38 mm	<a href="#">MK-95644-24</a>
1000 mL	38 mm	<a href="#">MK-95644-26</a>
2000 mL	53 mm	<a href="#">MK-95644-28</a>

## Compatible Masterflex Puri-Flex™ Pump Tubing and Connectors

Tubing Size	Hose barb in. (mm)	Puri-Flex pump tubing (25 ft/pk)	HDPE hose barb	PP hose barb	PVDF hose barb	Quick disconnect (POM male)	Quick disconnect (POM female)	Mini clamp
<b>L/S Precision pump tubing</b>								
L/S 13	1/16 (1.6)	<a href="#">MK-96419-13</a>	<a href="#">MK-40612-01</a>	<a href="#">MK-40612-43</a>	<a href="#">MK-40612-04</a>	–	<a href="#">MK-70000-24</a>	<a href="#">MK-06833-01</a>
L/S 14	1/16 (1.6)	<a href="#">MK-96419-14</a>	<a href="#">MK-40612-01</a>	<a href="#">MK-40612-43</a>	<a href="#">MK-40612-04</a>	–	<a href="#">MK-70000-24</a>	<a href="#">MK-06833-01</a>
L/S 16	1/8 (3.2)	<a href="#">MK-96419-16</a>	<a href="#">MK-40612-05</a>	<a href="#">MK-40612-47</a>	<a href="#">MK-40612-08</a>	<a href="#">MK-70000-35</a>	<a href="#">MK-70000-25</a>	<a href="#">MK-06833-01</a>
L/S 25	3/16 (4.8)	<a href="#">MK-96419-25</a>	<a href="#">MK-30622-55</a>	<a href="#">MK-40622-57</a>	<a href="#">MK-30703-04</a>	<a href="#">MK-70000-36</a>	<a href="#">MK-70000-26</a>	<a href="#">MK-06833-01</a>
L/S 17	1/4 (6.4)	<a href="#">MK-96419-17</a>	<a href="#">MK-30612-13</a>	<a href="#">MK-30612-55</a>	<a href="#">MK-30612-16</a>	<a href="#">MK-70000-38</a>	<a href="#">MK-70000-30</a>	<a href="#">MK-06833-00</a>
L/S 18	3/8 (9.5)	<a href="#">MK-96419-18</a>	<a href="#">MK-30612-17</a>	<a href="#">MK-30612-59</a>	<a href="#">MK-30612-20</a>	<a href="#">MK-70000-40</a>	<a href="#">MK-70000-32</a>	<a href="#">MK-06833-00</a>
<b>L/S High-Performance Precision pump tubing</b>								
L/S 15	3/16 (4.8)	<a href="#">MK-96419-15</a>	<a href="#">MK-30622-55</a>	<a href="#">MK-40622-57</a>	<a href="#">MK-30703-04</a>	<a href="#">MK-70000-36</a>	<a href="#">MK-70000-26</a>	<a href="#">MK-06833-01</a>
L/S 24	1/4 (6.4)	<a href="#">MK-96419-24</a>	<a href="#">MK-30612-13</a>	<a href="#">MK-30612-55</a>	<a href="#">MK-30612-16</a>	<a href="#">MK-70000-38</a>	<a href="#">MK-70000-30</a>	<a href="#">MK-06833-00</a>
L/S 35	3/8 (9.5)	<a href="#">MK-96419-35</a>	<a href="#">MK-30612-17</a>	<a href="#">MK-30612-59</a>	<a href="#">MK-30612-20</a>	<a href="#">MK-70000-40</a>	<a href="#">MK-70000-32</a>	<a href="#">MK-06833-00</a>
L/S 36	3/8 (9.5)	<a href="#">MK-96419-36</a>	<a href="#">MK-30612-17</a>	<a href="#">MK-30612-59</a>	<a href="#">MK-30612-20</a>	<a href="#">MK-70000-40</a>	<a href="#">MK-70000-32</a>	<a href="#">MK-06833-00</a>

1-800-637-3739 | 1-847-381-7050

Masterflex.com