



**KODIAK
CONTROLS®
INC.**

KCDG30

Digital Vacuum Gauge

Kodiak's KCDG30 series digital vacuum gauge offers high performance with 0.4% full scale accuracy at very competitive price. It's compact size allows for versatility in multiple applications and it's stainless steel case increases its durability for high demand applications. The 4-digit LCD display with backlight promotes easy point-of-reference pressure readings helping to eliminate false readings in the field.

Specifications

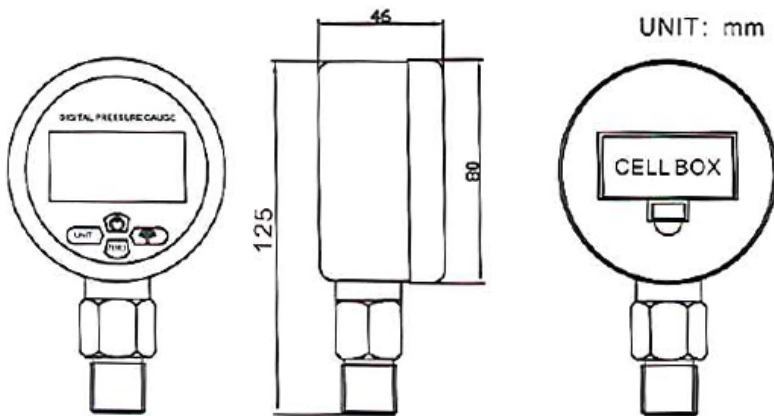
Dial Sizes:	3"
Wetted Parts:	304SS (316SS available)
Display:	LCD
Power Supply:	Battery Operated (2 x AAA)
Connection:	Lower Mount 1/4" NPT (others available)
Power Options:	Standard 5 min Auto Shut-Off
Accuracy:	0.4% FS
Temperature:	-10°F/160°F
Burst Pressure:	2 X F.S.
Scales:	psi, inHg, kpa, bar, mbar, Torr, inH2O
Battery Life:	8-12 months
Functions:	Units switchable, Zero Clearing, Backlight, On/Off



Options*

- Custom Dials
- Special Connection Threads (BSP, SAE, etc.)
- NIST Certificates of Calibration

*Lead times and minimum orders may apply



Example:
KCDG30 60

Ranges:
30"Hg Vac
30"Hg/15 psig
30"Hg/30 psig
30"Hg/60 psig
30"Hg/100 psig
30"Hg/150 psig
30"Hg/300 psig

15 psia
30 psia
60 psia
100 psia
150 psia
200 psia