

# Cole-Parmer®

## SaniSure® Cap2V8® Aseptic Centrifuge Tube Assemblies Labcon® Tubes



These single-use centrifuge tube assemblies capture, store, and transfer high-purity fluid in a closed, sterile system that protects product integrity and provides an aseptic seal for high-purity biologicals. One-piece molded tube and cap assemblies feature a continuous flow path to reduce contamination chances and product loss. Each assembly includes a clear, conical bottom centrifuge tube, molded polypropylene cap, transfer line with pinch clamp, and vent line with hydrophobic filter.

Labcon® centrifuge tubes combine strong mechanical integrity with virgin high-quality resins, offering dependable performance in protocols where tight contamination control and reproducibility are essential.



### CERTIFICATION

USP Class VI

**WARNING:** This product is not approved or intended for, and should not be used for, medical, clinical, surgical, or other patient-oriented applications.

### APPLICATIONS

- High-speed centrifugation and workflows requiring low extractables
- Ideal for general-purpose, laboratory, and single-use applications

### FEATURES/BENEFITS

- Reduces assembly and installation time
- Assemblies can be welded and heat sealed—PVC tubing can be RF-sealed for a faster, sterile disconnect
- Two ports—vent and transfer—feature 1/8" ID x 1/4" OD tubing
- Lot-traceable
- Sterile options are gamma-irradiated to sterility assurance level 10<sup>-6</sup>
- Models with dip tube allow withdrawal of a precise fluid amount to isolate the pellet after centrifugation

USA	+1.800.323.4340
	+1.847.549.7600
Canada	+1.800.363.5900
China	+86.21.5109.9909
India	+1.800.266.1244

UK	+44 (0) 1480.272279
	+33 (0) 1.87.170142*
	+49 (0) 937.792030*
Italy	+39.02.84349215
All others	+1.847.549.7600

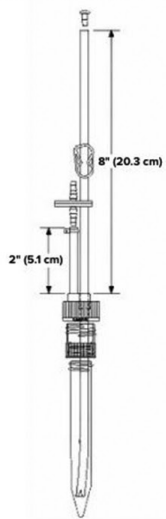
## Cole-Parmer®

[coleparmer.com](http://coleparmer.com)

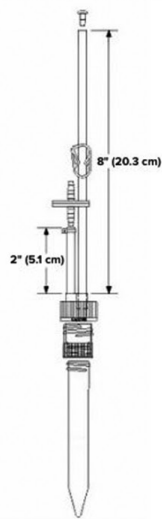
\*Inquiries from Germany and France are now handled in our St. Neots office by native-speaking experts.

### 15 mL Centrifuge Tubes

With Dip Tube

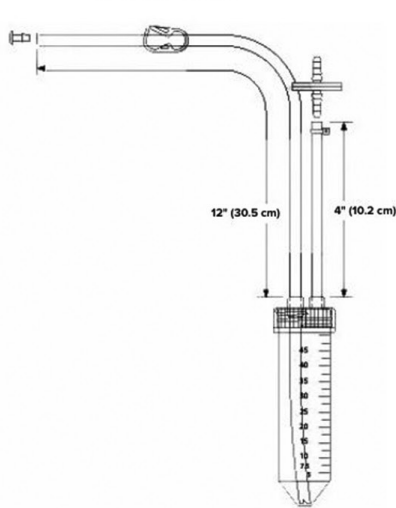


Without Dip Tube

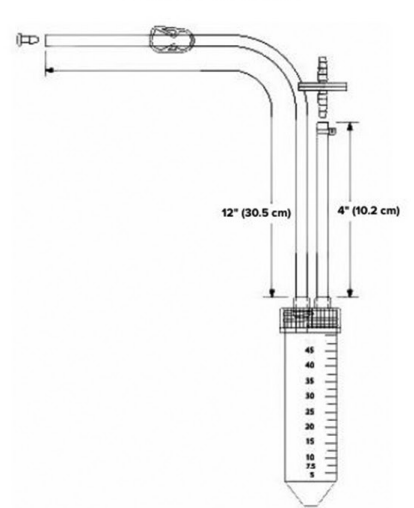


### 50 mL Centrifuge Tubes

With Dip Tube



Without Dip Tube



### Specification and Ordering Table

Capacity	Container Material	Tubing Material	Sterile	Dip Tube	Vent Line	Transfer Line	Item Number	Pack Size
15 mL	Polystyrene	TPE	Yes	No	2" (5 cm) L	8" (20 cm) L	<a href="#">50142-67</a>	1
			No	No			<a href="#">50142-68</a>	1
50 mL	Polypropylene	PVC	Yes	No	4" (10 cm) L	12" (30 cm) L	<a href="#">50142-73</a>	1
			Yes	Yes			<a href="#">50142-74</a>	1
			No	No			<a href="#">50142-75</a>	1
			No	Yes			<a href="#">50142-76</a>	1
		TPE	Yes	No			<a href="#">50142-69</a>	1
			Yes	Yes			<a href="#">50142-70</a>	1
			No	No			<a href="#">50142-71</a>	1
			No	Yes			<a href="#">50142-72</a>	1