

Cole-Parmer®

SaniSure® Cap2V8® Aseptic Centrifuge Tube Assemblies Falcon® Tubes



These single-use centrifuge tube assemblies capture, store, and transfer high-purity fluid in a closed, sterile system that protects product integrity and provides an aseptic seal for high-purity biologicals. One-piece molded tube and cap assemblies feature a continuous flow path to reduce contamination chances and product loss. Each assembly includes a clear, conical bottom centrifuge tube, molded polypropylene cap, transfer line with pinch clamp, and vent line with hydrophobic filter.

Falcon® centrifuge tubes are widely regarded as a “workhorse” standard featuring high durability, good mechanical strength, wide temperature stability, and suitability for centrifugation, vortexing, and long-term freezer storage.



CERTIFICATION

USP Class VI

WARNING: This product is not approved or intended for, and should not be used for, medical, clinical, surgical, or other patient-oriented applications.

APPLICATIONS

- Pellet recovery, cell culture, and bioprocess separation processes
- Ideal for general-purpose, laboratory, and single-use applications

FEATURES/BENEFITS

- Reduces assembly and installation time
- Assemblies can be welded and heat sealed—PVC tubing can be RF-sealed for a faster, sterile disconnect
- Two ports—vent and transfer—feature 1/8” ID x 1/4” OD tubing
- Lot-traceable
- Sterile options are gamma-irradiated to sterility assurance level 10⁻⁶
- Models with dip tube allow withdrawal of a precise fluid amount to isolate the pellet after centrifugation

USA	+1.800.323.4340
	+1.847.549.7600
Canada	+1.800.363.5900
China	+86.21.5109.9909
India	+1.800.266.1244

UK	+44 (0) 1480.272279
	+33 (0) 1.87.170142*
	+49 (0) 937.792030*
Italy	+39.02.84349215
All others	+1.847.549.7600

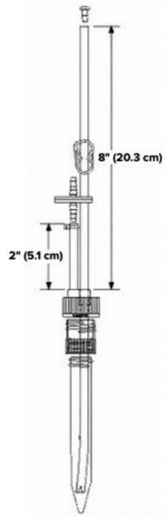
Cole-Parmer®

coleparmer.com

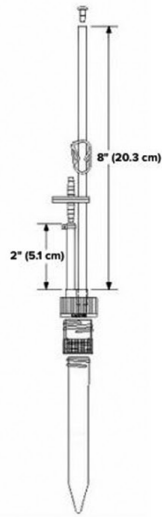
*Inquiries from Germany and France are now handled in our St. Neots office by native-speaking experts.

15 mL Centrifuge Tubes

With Dip Tube

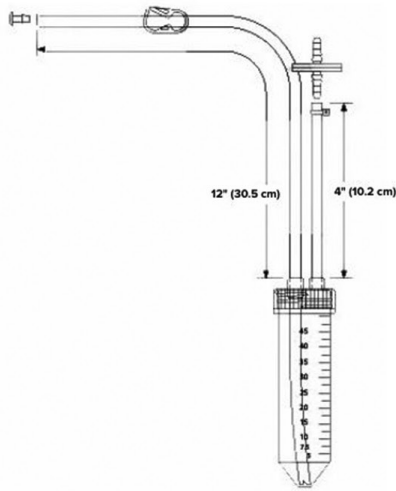


Without Dip Tube

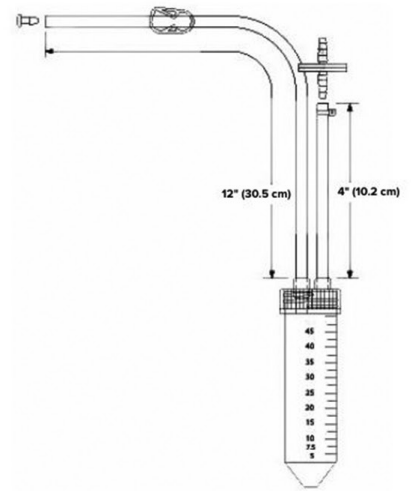


50 mL Centrifuge Tubes

With Dip Tube



Without Dip Tube



Specification and Ordering Table

Capacity	Container Material	Tubing Material	Sterile	Dip Tube	Vent Line	Transfer Line	Item Number	Pack Size
15 mL	Polystyrene	TPE	Yes	Yes	2" (5 cm) L	8" (20 cm) L	50142-77	1
			No	Yes			50142-78	1
50 mL	Polypropylene	PVC	Yes	No	4" (10 cm) L	12" (30 cm) L	50142-79	1
			Yes	Yes			50142-80	1
			No	No			50142-81	1
			No	Yes			50142-82	1