

Pressure Gauge and Seal

Molded Gauge and Seal

Ideally suited for use in ultra-pure water and aggressive chemicals

These gauges are molded from a harder blend of polymers, making them more resistant to cracking or breaking during installation and use. The all molded body makes it tamper proof and its robust design makes it very durable for industrial applications.

Specifications

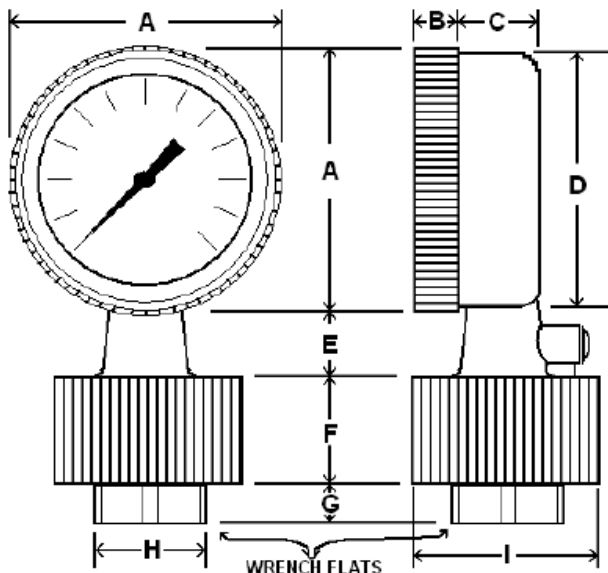
Dial Sizes	2.5 in.
Case	Polypropylene or PVDF
Diaphragm	FKM or PTFE
Wetted Parts	Polypropylene/FKM or PVDF/PTFE
Bezel	Removable
Lens	Polycarbonate
Pointer	Black Aluminum
Connection	Lower Mount, ¼ in. or ½ in. FNPT
Accuracy	2-1-2%
Fill	Dry (standard), Glycerin Filled Available
Temperature	-4 °F/140 °F



Polypropylene Body
FKM Diaphragm



PVDF Body
PTFE Diaphragm



Unit	IN	MM
A	2.89	73.4
B	0.62	15.8
C	1.04	26.5
D	2.61	66.4
E	0.50	12.8
F	1.19	30.4
G	0.43	11.0
H	1.23	31.3
I	2.29	58.3

Ordering Information

Description	Item Number
PVDF Pressure Gauge, PTFE diaphragm seal, 1/4" NPT(F); 0 to 15 psi	68000-01
PVDF Pressure Gauge, PTFE diaphragm seal, 1/4" NPT(F); 0 to 30 psi	68000-03
PVDF Pressure Gauge, PTFE diaphragm seal, 1/4" NPT(F); 0 to 60 psi	68000-05
PVDF Pressure Gauge, PTFE diaphragm seal, 1/4" NPT(F); 0 to 100 psi	68000-07
PVDF Pressure Gauge, PTFE diaphragm seal, 1/4" NPT(F); 0 to 160 psi	68000-09
PVDF Pressure Gauge, PTFE diaphragm seal, 1/4" NPT(F); 0 to 200 psi	68000-11
PVDF Pressure Gauge, PTFE diaphragm seal, 1/2" NPT(F); 0 to 15 psi	68000-13
PVDF Pressure Gauge, PTFE diaphragm seal, 1/2" NPT(F); 0 to 30 psi	68000-15
PVDF Pressure Gauge, PTFE diaphragm seal, 1/2" NPT(F); 0 to 60 psi	68000-17
PVDF Pressure Gauge, PTFE diaphragm seal, 1/2" NPT(F); 0 to 100 psi	68000-19
PVDF Pressure Gauge, PTFE diaphragm seal, 1/2" NPT(F); 0 to 160 psi	68000-21
Pressure Gauge, Viton diaphragm seal, 1/4" NPT(F); 0 to 15 psi	68000-25
Pressure Gauge, Viton diaphragm seal, 1/4" NPT(F); 0 to 30 psi	68000-27
Pressure Gauge, Viton diaphragm seal, 1/4" NPT(F); 0 to 60 psi	68000-29
Pressure Gauge, Viton diaphragm seal, 1/4" NPT(F); 0 to 100 psi	68000-31
Pressure Gauge, Viton diaphragm seal, 1/4" NPT(F); 0 to 160 psi	68000-33
Pressure Gauge, Viton diaphragm seal, 1/2" NPT(F); 0 to 15 psi	68000-37
Pressure Gauge, Viton diaphragm seal, 1/2" NPT(F); 0 to 30 psi	68000-39
Pressure Gauge, Viton diaphragm seal, 1/2" NPT(F); 0 to 60 psi	68000-41
Pressure Gauge, Viton diaphragm seal, 1/2" NPT(F); 0 to 100 psi	68000-43
Pressure Gauge, Viton diaphragm seal, 1/2" NPT(F); 0 to 160 psi	68000-45
Pressure Gauge, Viton diaphragm seal, 1/2" NPT(F); 0 to 200 psi	68000-47

USA +1.800.323.4340
 +1.847.549.7600
 Canada +1.800.363.5900
 China 86.21.5109.9909
 French speaker +33 (0) 1 87 17 01 42

German speaker +49 (0) 937 792030
 India +1.800.266.1244
 Italy +39.02.84349215
 UK +44 (0) 1480.272279
 All others +1.847.549.7600

Cole-Parmer®
 coleparmer.com