

FGS-100E Motorized Force Test Stands

The Series FGS-100E Vertical, Motorized Force Test Stands combined with the Shimpo line of superior quality force gauges, create a complete force measurement system capable of handling the most precise testing applications.

The test stand's all steel construction makes them remarkably rugged while performing with precision, providing the reliability to tackle a multitude of applications.

The FGS-100E's possess simplified operation with their 7 button key-pad and emergency stop button, eliminating lengthy training typical of similar test stands. With four modes of operation (manual, jog, single cycle, continuous) various single tests or repetitive tests can be achieved and selected with the push of a button.

The user can quickly change the speed units displayed on the LCD from mm/min to inches/min to satisfy their test requirement or preference. With manually adjustable high and low stop limits, the test stands are designed for minimal time necessary to adjust for the next test. The FGS-100E motorized stands have a capacity rating of 110 lbs (50 kgf) in either fast [0.78-23.60 in/min (20-600 mm/min)] movement operation or slow speed [0.23-7.00 in/min (6-180 mm/min)] operation models. When connected to a Shimpo FGV Force Gauge, the gauges programmable overload setting is communicated to the test stand, allowing the stand to stop at the overload set point and prevent potential damage to the gauge's sensor.



FGS-100E Force Test Stand shown with Force Gauge (Sold Separately)

Features

- Simplified 7 button key-pad with emergency safety stop provides a user-friendly platform that does not require extensive training
- Compatibility with nearly all manufacturers' force gauges enables flexibility in testing applications
- Field selectable inches/min or mm/min allows user preference or to change as needed per test requirement
- Large 100-230 VAC power capability provides flexible installation; eliminates power transformer
- Quick-adjust manual upper and lower limits eliminates set-up time for the next test
- Compact, modular design reduces weight, footprint and cost of stand



Stand with Optional Grip Performing Tension Test

FGS-100E Specifications

Model	FGS-100E-L Low Speed FGS-100E-H High Speed
Capacity	112.4 lbf (500N, 50kgf)
Movement Speed	FGS-100E-L: 6-180 mm/min (0.23-7.00in/min) FGS-100E-H: 20-600 mm/min (0.78-23.60in/min)
Speed Accuracy	±5%
Stroke	15.75 in (400 mm)
Display	LCD 3 Digits indicates movement speed, Operation Mode
Operation Mode	Manual (MAU), Jogging (JOG), 1 Cycle (SIG), Continuous (CON)
Input	Over Load Input Stops by FGV Over Load Signal
Dimensions	Product: 3.66 × 5.91 in (93 × 150 mm); Table: 3.66 × 5.91 in (93 × 150 mm)
Temperature Range	32 - 113°F (0 - 45°C) No Condensation
Power Supply	AC100 - 230V ± 10%
Product Weight	Approx. 40.1 lbs (20 kg)
Warranty	2-Year
Included Accessories	FGV overload set point communication cable

Ordering Details

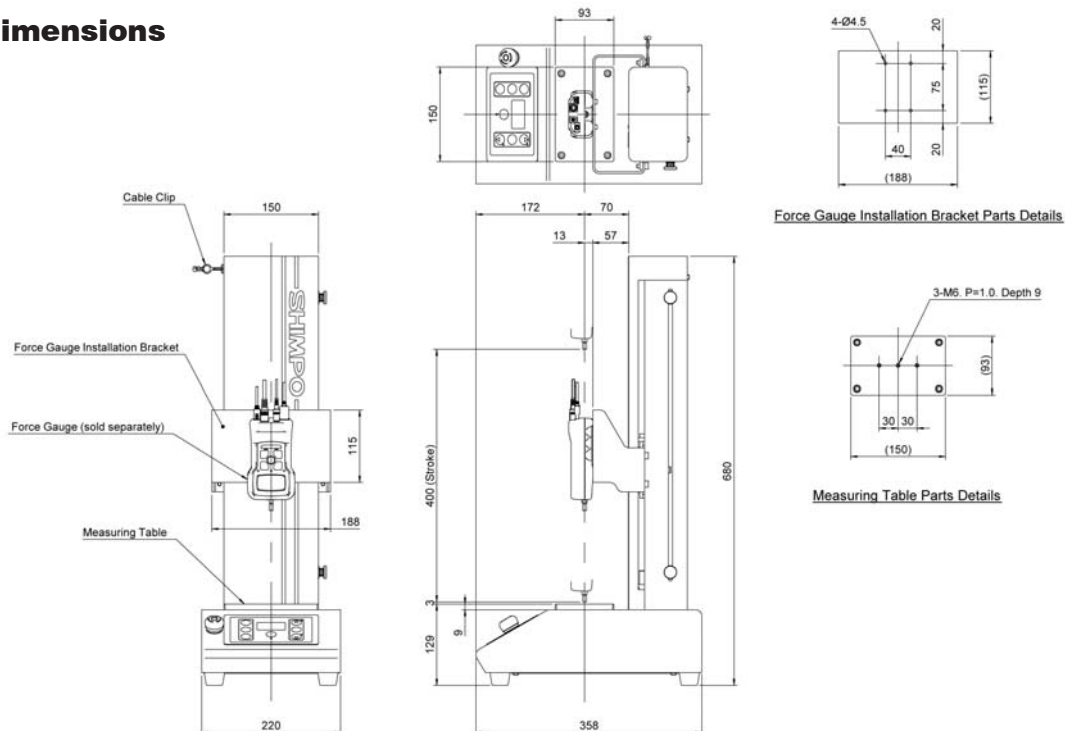
FGS-100E-L	Vertical Motorized Test Stand with low speed 0.23-7.00 in/min (6-180 mm/min) and 110 lb (50 kg) capacity
FGS-100E-H	Vertical Motorized Test Stand with high speed 0.78-23.60 in/min (20-600 mm/min) and 110 lb (50 kg) capacity

Accessories

FGS-100ECBL	Interface cable for FGV Force Gauge Overload protection
--------------------	---

*For available force grips and adapters visit our website at www.shimpoint.com

FGS-100E Dimensions



NIDEC-SHIMPO CORPORATION

INSTRUMENTS DIVISION • Phone: (800) 237-7079 • Fax: (630) 924-0342 • www.shimpoint.com